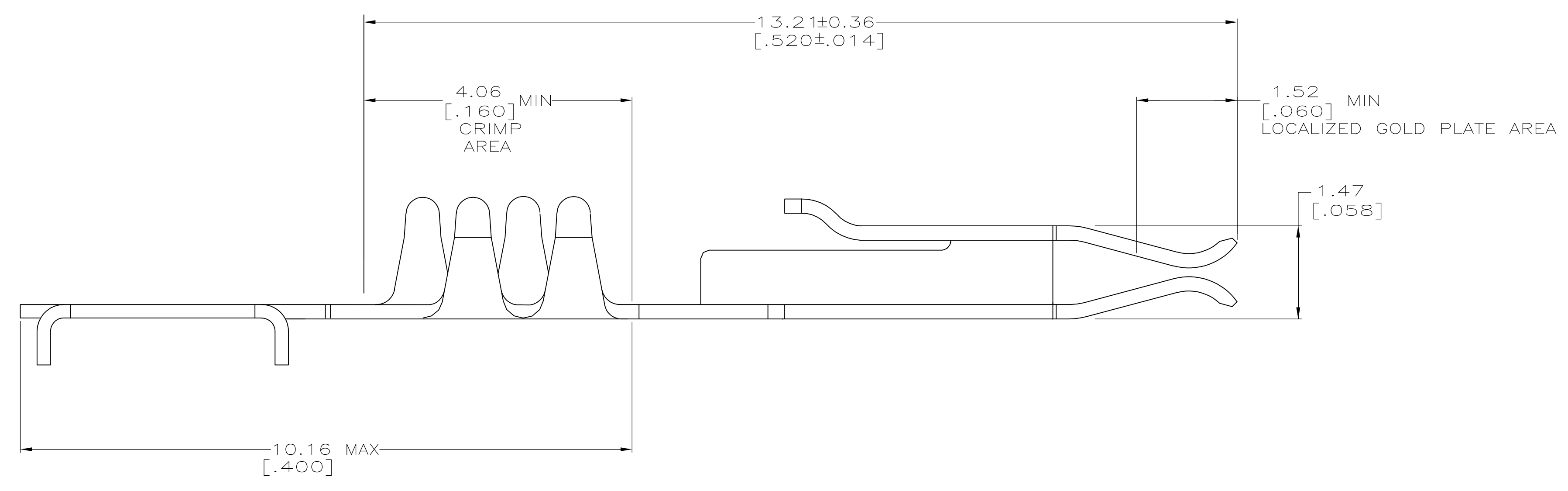
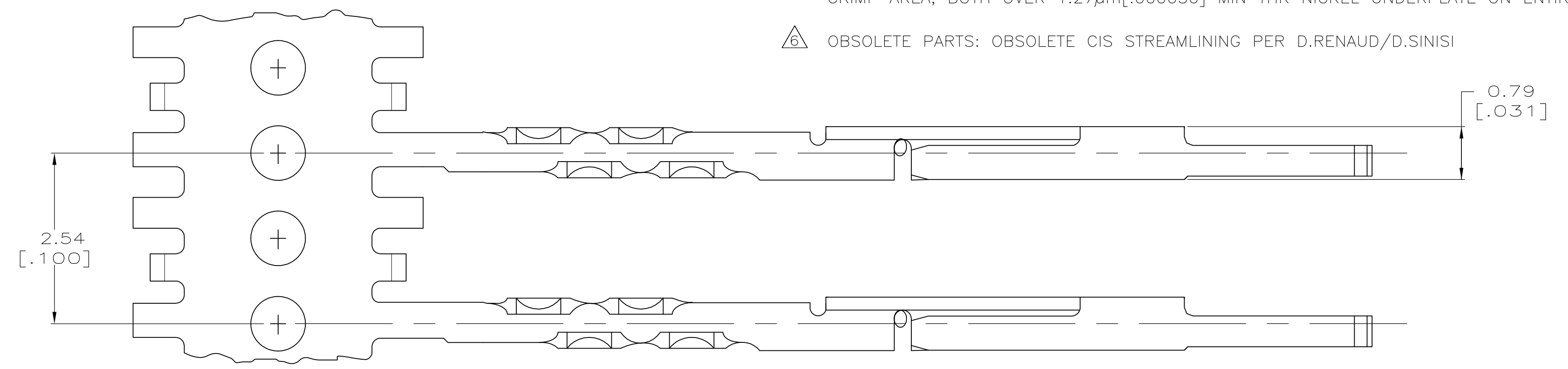
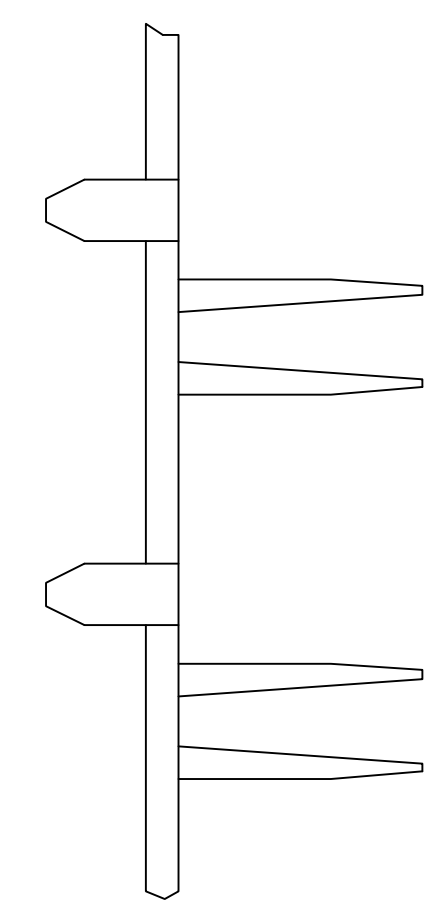


LOC		DIST		REVISIONS			
GP	00	REV	DATE	BY	CHK	APPV	
N		REVISED PER ECO-09-001888	03JUN2009	CJV	CWR		
N1		REVISED PER ECO-09-021826	12JAN10	KK	AEG		

- ⚠ 0.76μm[.000030] MIN GOLD ON LOCALIZED GOLD PLATE AREA, 2.54μm[.000100] MIN TIN-LEAD ON CRIMP AREA, BOTH OVER 1.27μm[.000050] MIN NICKEL ON ENTIRE CONTACT,
-OR-
GOLD FLASH OVER PALLADIUM-NICKEL, 0.76μm[.000030] MIN TOTAL THK ON LOCALIZED GOLD PLATE AREA, 2.54μm[.000100] MIN TIN-LEAD ON CRIMP AREA, BOTH OVER 1.27μm[.000050] MIN THK NICKEL UNDERPLATE ON ENTIRE CONTACT.
- ⚠ 0.38μm[.000015] MIN GOLD ON LOCALIZED GOLD PLATE AREA, 2.54μm[.000100] MIN TIN-LEAD ON CRIMP AREA, BOTH OVER 1.27μm[.000050] MIN NICKEL ON ENTIRE CONTACT,
-OR-
GOLD FLASH OVER PALLADIUM-NICKEL, 0.38μm[.000015] MIN TOTAL THK ON LOCALIZED GOLD PLATE AREA, 2.54μm[.000100] MIN TIN-LEAD ON CRIMP AREA, BOTH OVER 1.27μm[.000050] MIN THK NICKEL UNDERPLATE ON ENTIRE CONTACT.
- 3. ACCEPTS 0.38±0.03[.015±.001] SQUARE POST, 3.18-8.89[.125-.350] LONG.
- ⚠ 0.76μm[.000030] MIN GOLD ON LOCALIZED GOLD PLATE AREA, GOLD FLASH IN CRIMP AREA, BOTH OVER 1.27μm[.000050] MIN NICKEL ON ENTIRE CONTACT,
-OR-
GOLD FLASH OVER PALLADIUM-NICKEL, 0.76μm[.000030] MIN TOTAL THK ON LOCALIZED GOLD PLATE AREA, GOLD FLASH IN CRIMP AREA, BOTH OVER 1.27μm[.000050] MIN THK NICKEL UNDERPLATE ON ENTIRE CONTACT.
- ⚠ 0.38μm[.000015] MIN GOLD ON LOCALIZED GOLD PLATE AREA, GOLD FLASH IN CRIMP AREA, BOTH OVER 1.27μm[.000050] MIN NICKEL ON ENTIRE CONTACT,
-OR-
GOLD FLASH OVER PALLADIUM-NICKEL, 0.38μm[.000015] MIN TOTAL THK ON LOCALIZED GOLD PLATE AREA, GOLD FLASH IN CRIMP AREA, BOTH OVER 1.27μm[.000050] MIN THK NICKEL UNDERPLATE ON ENTIRE CONTACT.
- ⚠ OBSOLETE PARTS: OBSOLETE CIS STREAMLINING PER D.RENAUD/D.SINISI



⚠	1-487547-2
⚠	1-487547-1
⚠	487547-9
⚠	487547-1
FINISH	PART NUMBER

THIS DRAWING IS A CONTROLLED DOCUMENT.

DIMENSIONS: mm [INCHES]	TOLERANCES UNLESS OTHERWISE SPECIFIED:	DIN L/SIPE 05/05/92	5-13-92	Tyco Electronics Corporation Harrisburg, PA 17105-3608
0 PLC ± -	1 PLC ± -	2 PLC ± 0.13 [.005]	3 PLC ± 0.013 [.0005]	4 PLC ± -
MATERIAL 0.216 [.0085] THICK		FINISH SEE TABLE	WEIGHT -	SIZE A1
CUSTOMER DRAWING		SCALE 20:1	SHEET 1 OF 1	REV N1

PRODUCT SPEC: 108-16022
 APPLICATION SPEC: 114-16008
 CONTACT, RECEPTACLE, .050 C/L, FFC