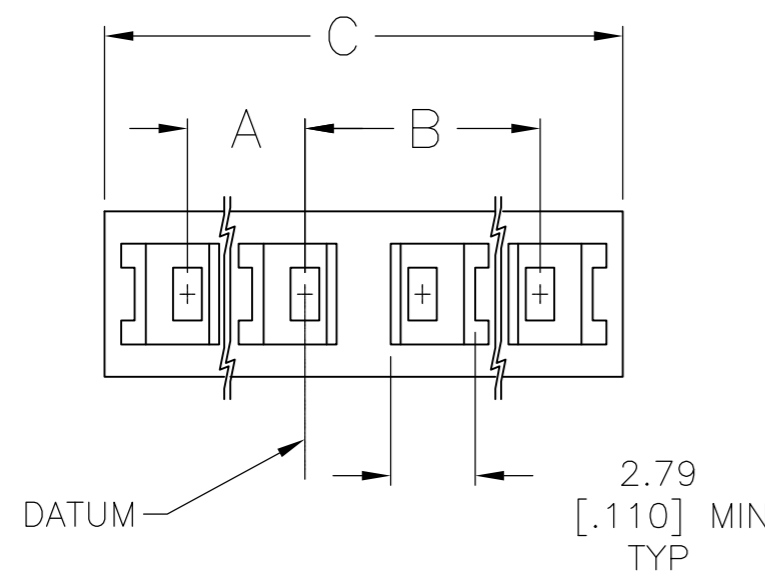
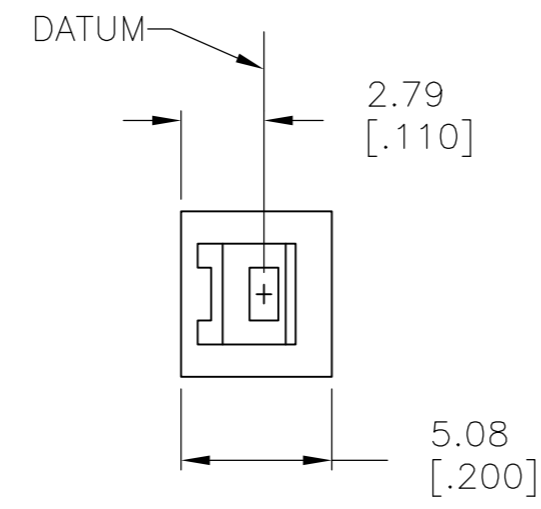


THIS DRAWING IS UNPUBLISHED. RELEASED FOR PUBLICATION  
 © COPYRIGHT BY TYCO ELECTRONICS CORPORATION. ALL RIGHTS RESERVED.

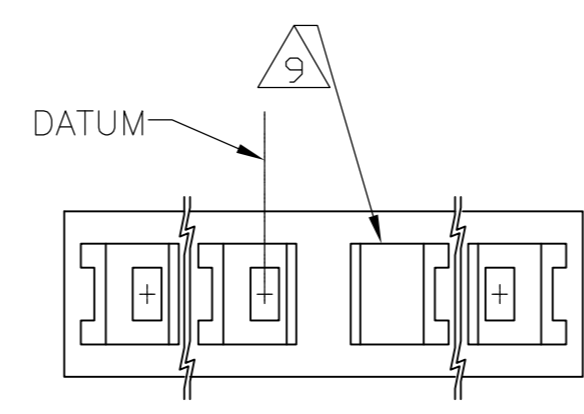
LOC		DIST		REVISIONS			
P	LTR	DESCRIPTION	DATE	DWN	APVD		
	J1	REVISED PER ECO-10-000443	11JAN10	KK	AEG		



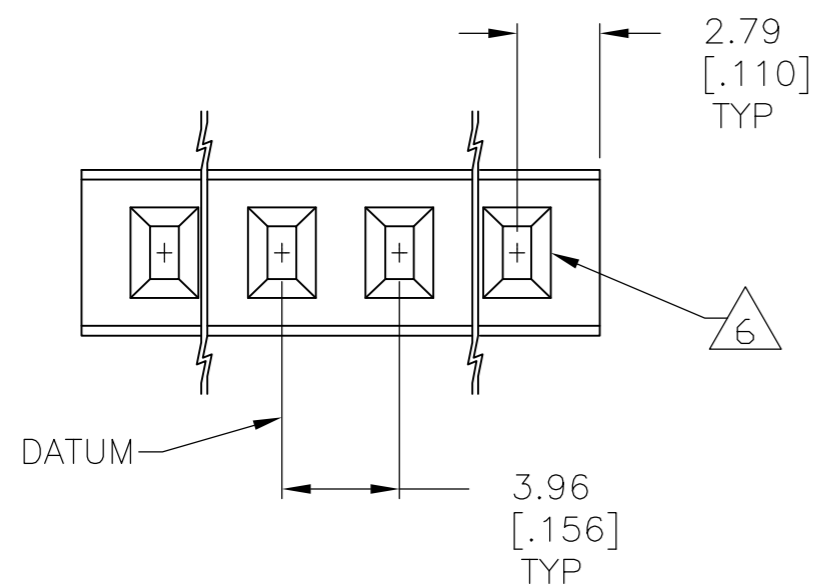
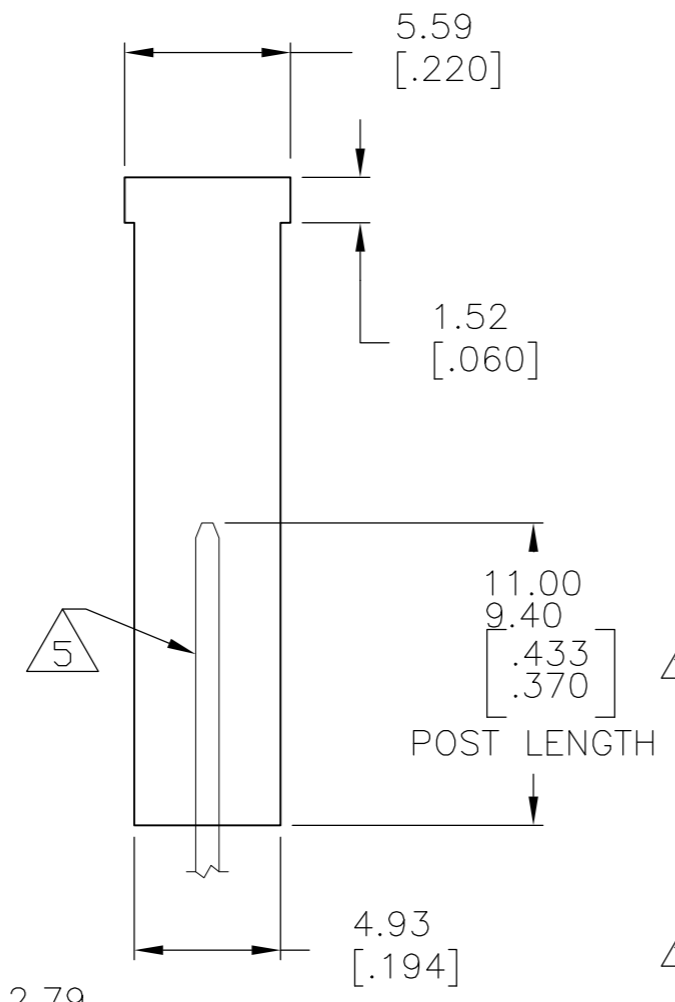
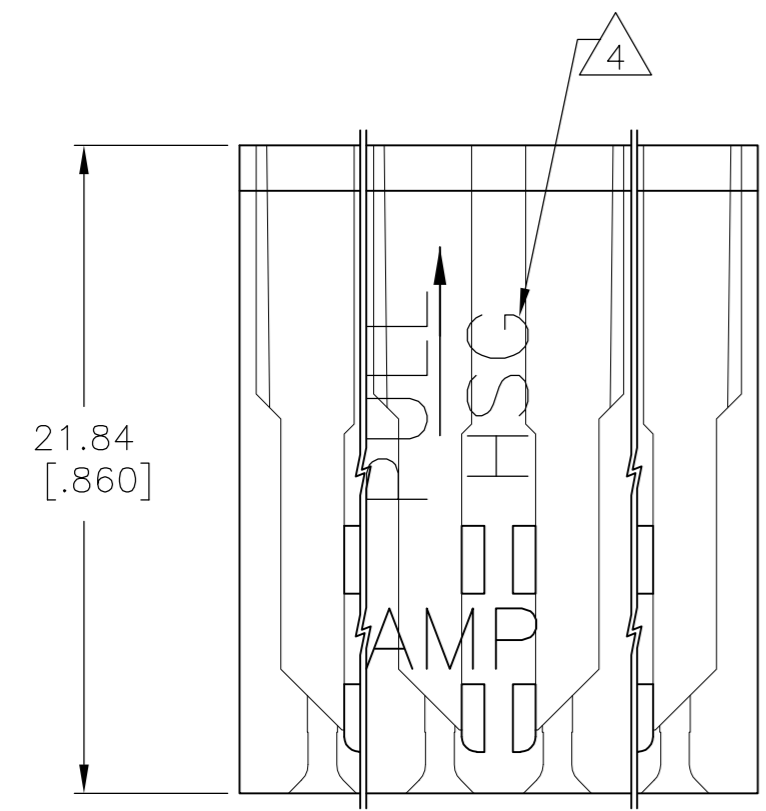
TOP VIEW <sup>8</sup>



DETAIL X



DETAIL Y



- PULL ON HOUSING TO REMOVE FROM POSTS. DO NOT CONFINE THE CONDUCTORS OR PULL ON THE CONDUCTORS DURING REMOVAL ACTION.
  - IN ORDER FOR THIS HOUSING TO FUNCTION PROPERLY AS A CONNECTOR, THE CONTACTS (P/N 87278 SERIES) MUST BE CRIMPED ACCORDING TO AMP SPEC 114-25008.
- <sup>4</sup> MOLDED CHARACTERS THIS END.
  - <sup>5</sup> .79[.031] X 1.57[.062] POST SHOWN FOR REFERENCE ONLY.
  - <sup>6</sup> CAVITY ACCEPTS 0.79[.031] X 1.57[.062] POST (TYPICAL).
  - <sup>7</sup> BOLD CAVITY INDICATES TYPICAL DATUM.
  - <sup>8</sup> THIS VIEW TO BE REFERENCED WITH CAVITY ORIENTATION CHART.
  - <sup>9</sup> NO POST ENTREE HOLE IN THIS LOCATION.
  - <sup>10</sup> SEE DETAIL X.
  - <sup>11</sup> SEE DETAIL Y.
  - <sup>12</sup> OBSOLETE PART NUMBER.
  - <sup>13</sup> OBSOLETE PARTS: OBSOLETE CIS STREAMLINING PER D.RENAUD/D.SINISI

		C	B		PART NUMBER	
<sup>13</sup> OBSOLETE	□□□□□□□□□□□□□□	53.14 [2.092]	23.77 [.936]	23.77 [.936]	13	1-87270-8
<sup>13</sup> OBSOLETE	□□□□□□□□□□□□□□	45.21 [1.780]	19.81 [.780]	19.81 [.780]	11	1-87270-7
	□□□□□□□□□□□□□□	37.29 [1.468]	15.85 [.624]	15.85 [.624]	9	1-87270-6
	□□□□□□□□□□□□□□	29.36 [1.156]	11.89 [.468]	11.89 [.468]	7	1-87270-5
	□□□□□□□□□□□□□□	21.44 [.844]	7.92 [.312]	7.92 [.312]	5	1-87270-4
	□□□□□□□□□□□□□□	13.51 [.532]	3.96 [.156]	3.96 [.156]	3	1-87270-3
	□□□□□□□□□□□□□□	25.40 [1.000]	11.89 [.468]	7.92 [.312]	5 OF 6	1-87270-2
<sup>13</sup> OBSOLETE	□□□□□□□□□□□□□□	29.36 [1.156]	11.89 [.468]	11.89 [.468]	6 OF 7	1-87270-1
	□□□□□□□□□□□□□□	21.44 [.844]	7.92 [.312]	7.92 [.312]	4 OF 5	1-87270-0
<sup>12</sup>	□□□□□□□□□□□□□□	57.10 [2.248]	27.74 [1.092]	23.77 [.963]	14	87270-9
	□□□□□□□□□□□□□□	49.17 [1.936]	23.77 [.936]	19.81 [.780]	12	87270-8
	□□□□□□□□□□□□□□	41.25 [1.624]	19.81 [.780]	15.85 [.624]	10	87270-7
	□□□□□□□□□□□□□□	33.32 [1.312]	15.85 [.624]	11.89 [.468]	8	87270-6
	□□□□□□□□□□□□□□	25.40 [1.000]	11.89 [.468]	7.92 [.312]	6	87270-5
	□□□□□□□□□□□□□□	17.48 [.688]	7.92 [.312]	3.96 [.156]	4	87270-4
	□□□□□□□□□□□□□□	17.48 [.688]	7.92 [.312]	3.96 [.156]	3 OF 4	87270-3
	□□□□□□□□□□□□□□	9.55 [.376]	-	-	2	87270-2
	□□□□□□□□□□□□□□	5.08 [.200]	-	-	1	87270-1

CAVITY ORIENTATION CHART C B PART NUMBER

THIS DRAWING IS A CONTROLLED DOCUMENT.

DIMENSIONS: mm [INCHES]	TOLERANCES UNLESS OTHERWISE SPECIFIED: 0 PLC ± - 1 PLC ± - 2 PLC ± - 3 PLC ± 0.13 [.005] 4 PLC ± - ANGLES ± -	DWN E.BRANDBERG 25FEB93 CHK SCOTT A. SHUEY 25FEB93 APVD SCOTT A. SHUEY 25FEB93 PRODUCT SPEC APPLICATION SPEC WEIGHT -	Tyco Electronics Corporation Harrisburg, PA 17105-3608 NAME HOUSING, LOCKING CLIP, SINGLE ROW, .156 CENTERS FOR .031 X .062 POST SIZE CAGE CODE DRAWING NO RESTRICTED TO A2 00779 C=87270 -
----------------------------	---	--	--

MATERIAL: GLASS FILLED POLYESTER, COLOR: BLACK  
 FINISH: -  
 CUSTOMER DRAWING SCALE: 4:1 SHEET: 1 OF 1 REV: J1