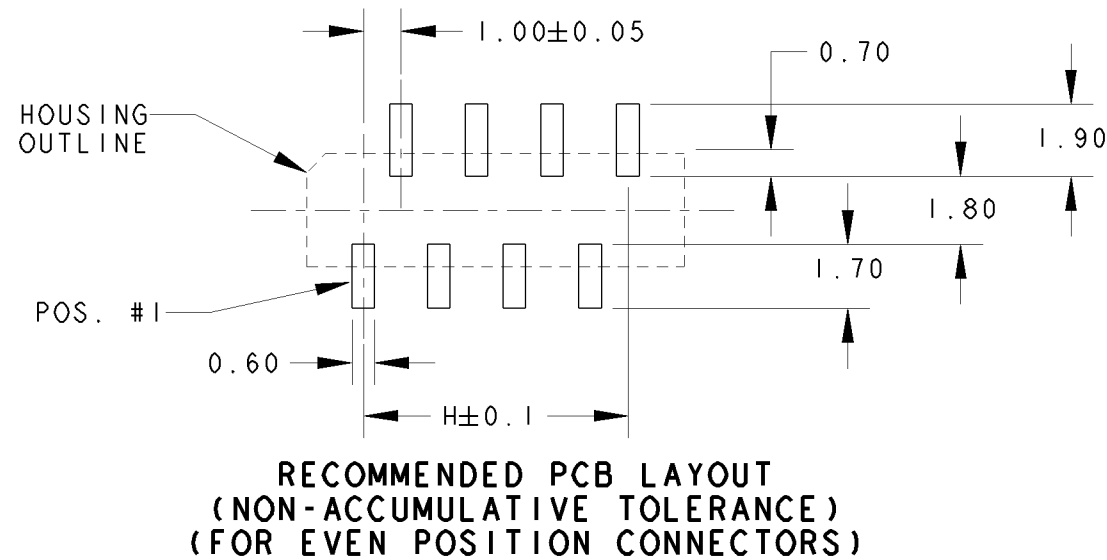
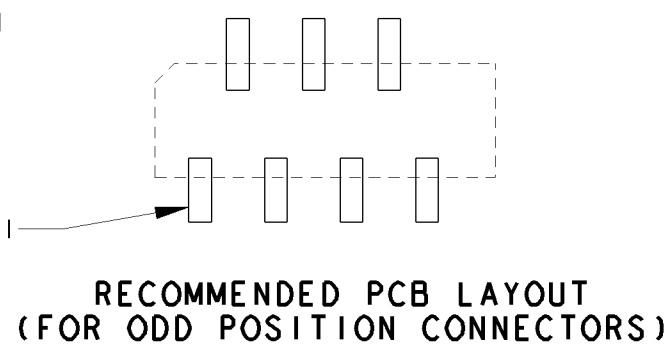
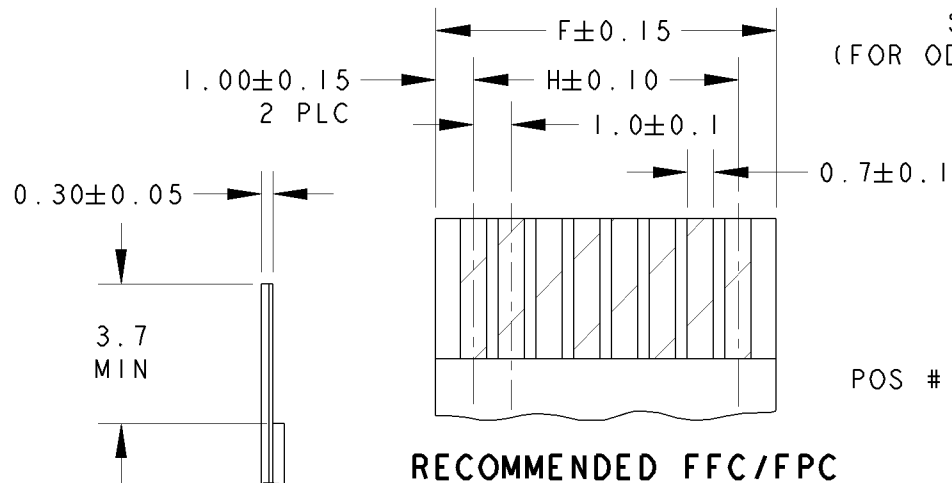
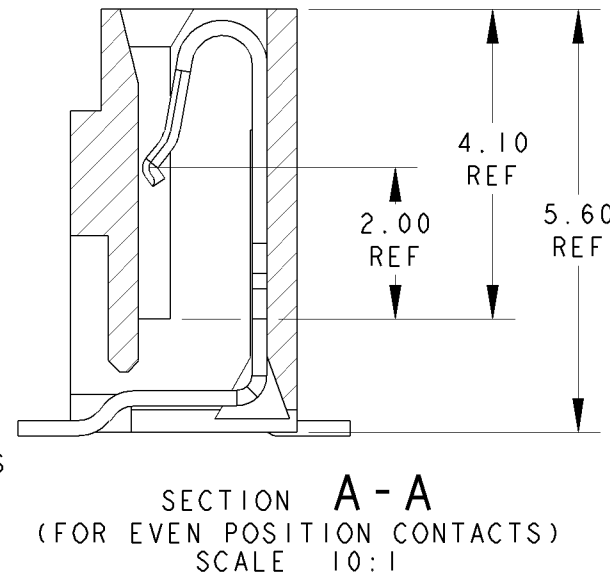
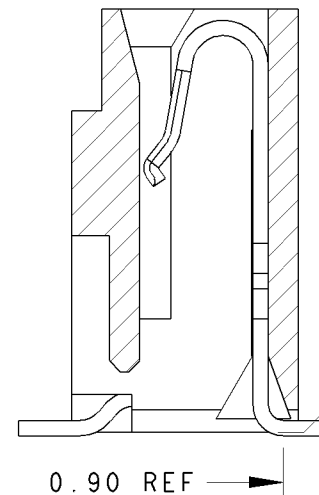
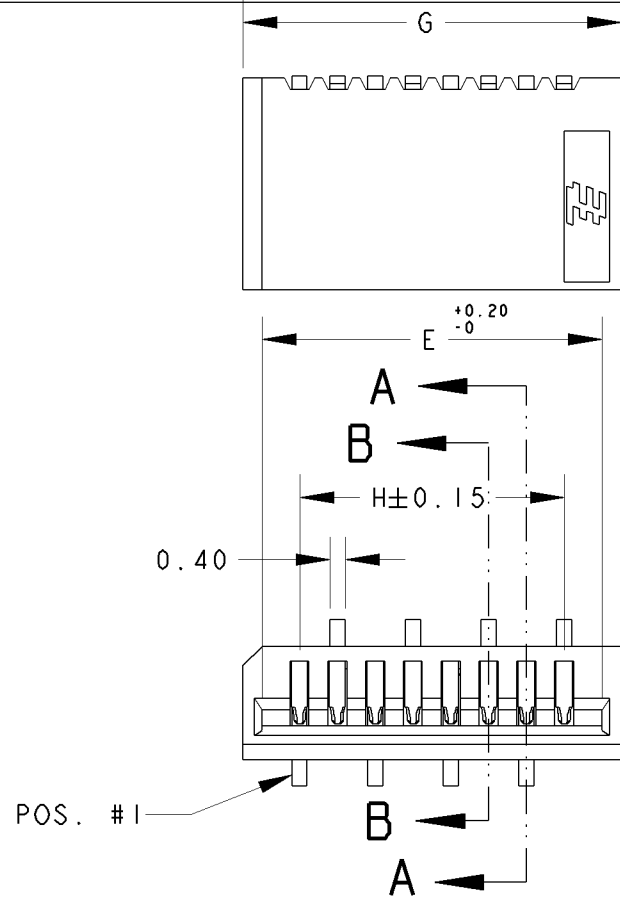


THIS DRAWING IS UNPUBLISHED. RELEASED FOR PUBLICATION .19
 BY AMP INCORPORATED. ALL RIGHTS RESERVED.

LOC	DIST	REVISIONS			
P	LTR	DESCRIPTION	DATE	DWN	APVD
DY	-	REVISED ECR-10-010305	13MAY10	LYM	LSF

NOTES:

- 1 MATERIAL:
HOUSING: GLASS FILLED HIGH TEMP NYLON, NATURAL COLOR (BEIGE)
CONTACT: PHOSPHOR BRONZE
- 2 FINISH: MATTE TIN OVER NICKEL UNDERPLATE
- 3. PACKAGING: TAPE & REEL (PACKAGING SPEC: 107-51189)



29.00	32.00	31.00	31.00	30	3-84982-0
28.00	31.00	30.00	30.00	29	2-△-9
27.00	30.00	29.00	29.00	28	2--8
26.00	29.00	28.00	28.00	27	2--7
25.00	28.00	27.00	27.00	26	2--6
24.00	27.00	26.00	26.00	25	2--5
23.00	26.00	25.00	25.00	24	2--4
22.00	25.00	24.00	24.00	23	2--3
21.00	24.00	23.00	23.00	22	2--2
20.00	23.00	22.00	22.00	21	2--1
19.00	22.00	21.00	21.00	20	2-84982-0
18.00	21.00	20.00	20.00	19	1-△-9
17.00	20.00	19.00	19.00	18	1--8
16.00	19.00	18.00	18.00	17	1--7
15.00	18.00	17.00	17.00	16	1--6
14.00	17.00	16.00	16.00	15	1--5
13.00	16.00	15.00	15.00	14	1--4
12.00	15.00	14.00	14.00	13	1--3
11.00	14.00	13.00	13.00	12	1--2
10.00	13.00	12.00	12.00	11	1--1
9.00	12.00	11.00	11.00	10	1-84982-0
8.00	11.00	10.00	10.00	9	△-9
7.00	10.00	9.00	9.00	8	-8
6.00	9.00	8.00	8.00	7	-7
5.00	8.00	7.00	7.00	6	-6
4.00	7.00	6.00	6.00	5	-5
3.00	6.00	5.00	5.00	4	84982-4
H	G	F	E	POS.	PART NO.

THIS DRAWING IS A CONTROLLED DOCUMENT FOR AMP INCORPORATED. IT IS SUBJECT TO CHANGE AND THE CONTROLLING ENGINEERING ORGANIZATION SHOULD BE CONTACTED FOR THE LATEST REVISION.		DWN WYLEE 19MAY2006	Tyco Electronics Corporation Singapore		
DIMENSIONS: mm		CHK KTG OH 19MAY2006	NAME ASSY, 1.00mm FFC CONN SMT, V, (NON-ZIF)		
TOLERANCES UNLESS OTHERWISE SPECIFIED:		APVD SFLEONG 19MAY2006	SIZE A3		
0 PLC ±0.3		PRODUCT SPEC 108-51054	CAGE CODE 00779		
1 PLC ±0.3		APPLICATION SPEC -	DRAWING NO C-84982		
2 PLC ±0.3		WEIGHT -	SCALE 5:1		
3 PLC ±		CUSTOMER DRAWING	SHEET 1 OF 1		
4 PLC ±			REV JI		
ANGLES ±3°					
FINISH					
1					
2					