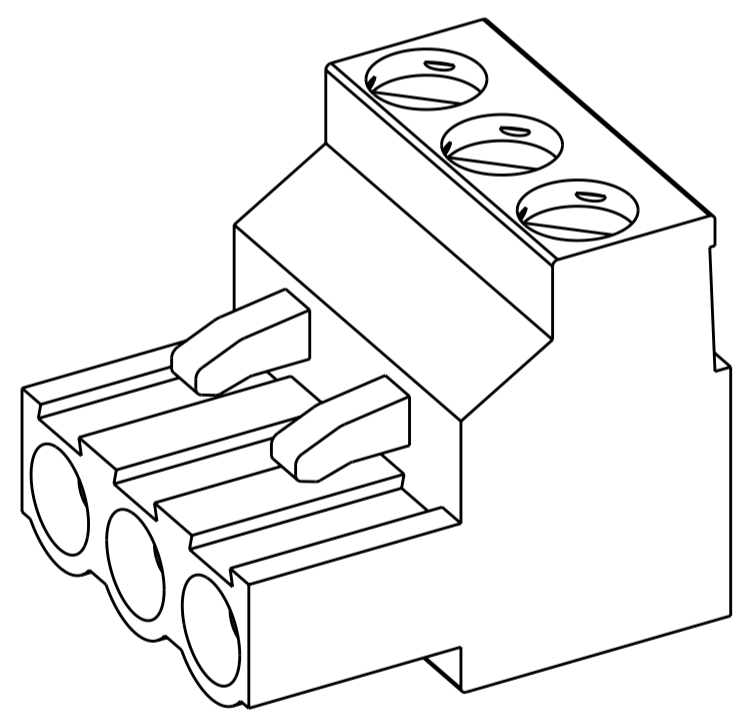
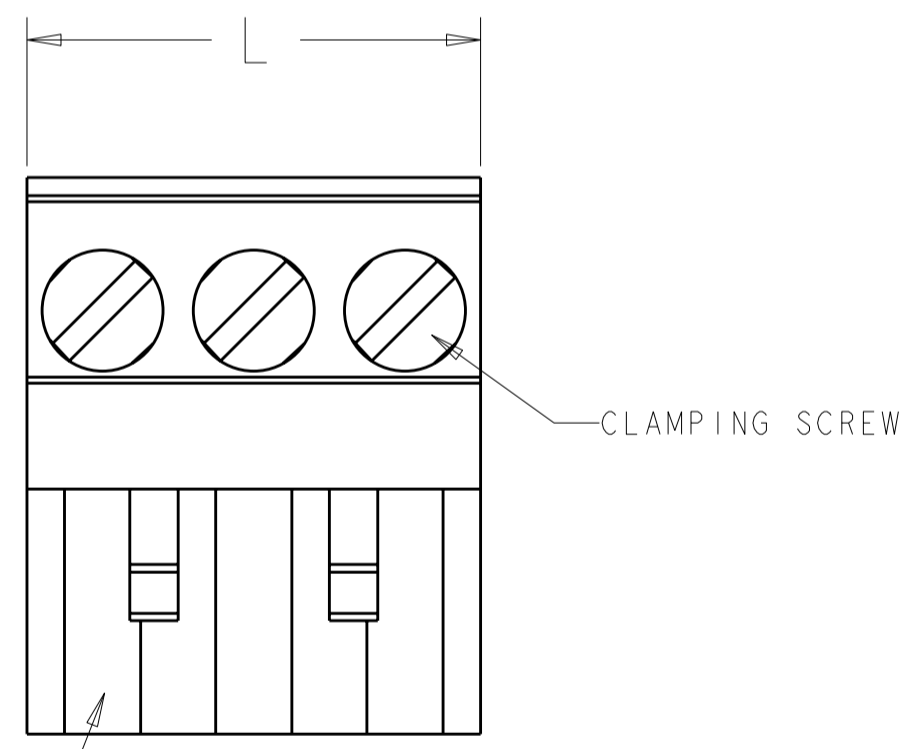
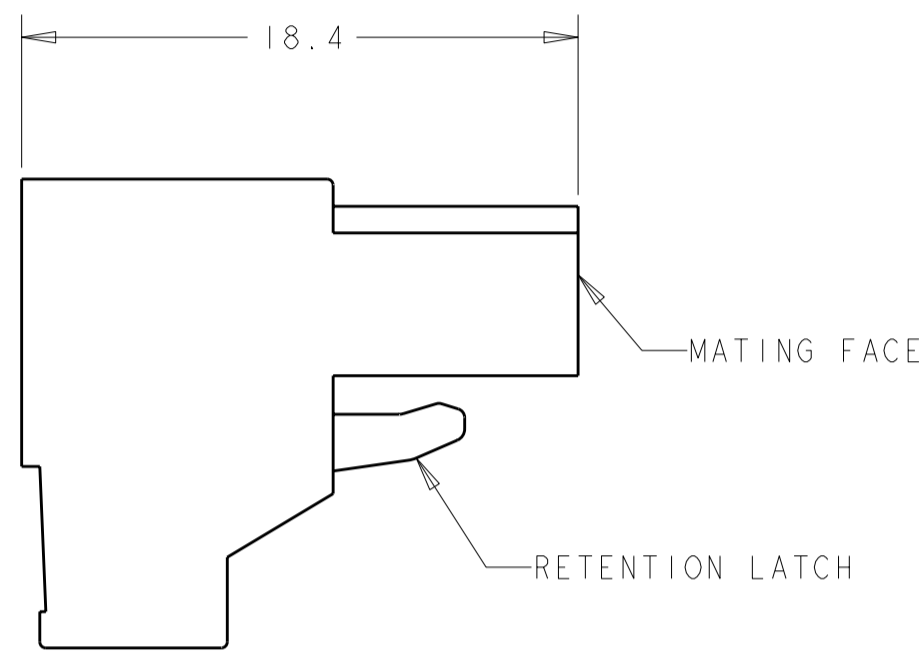
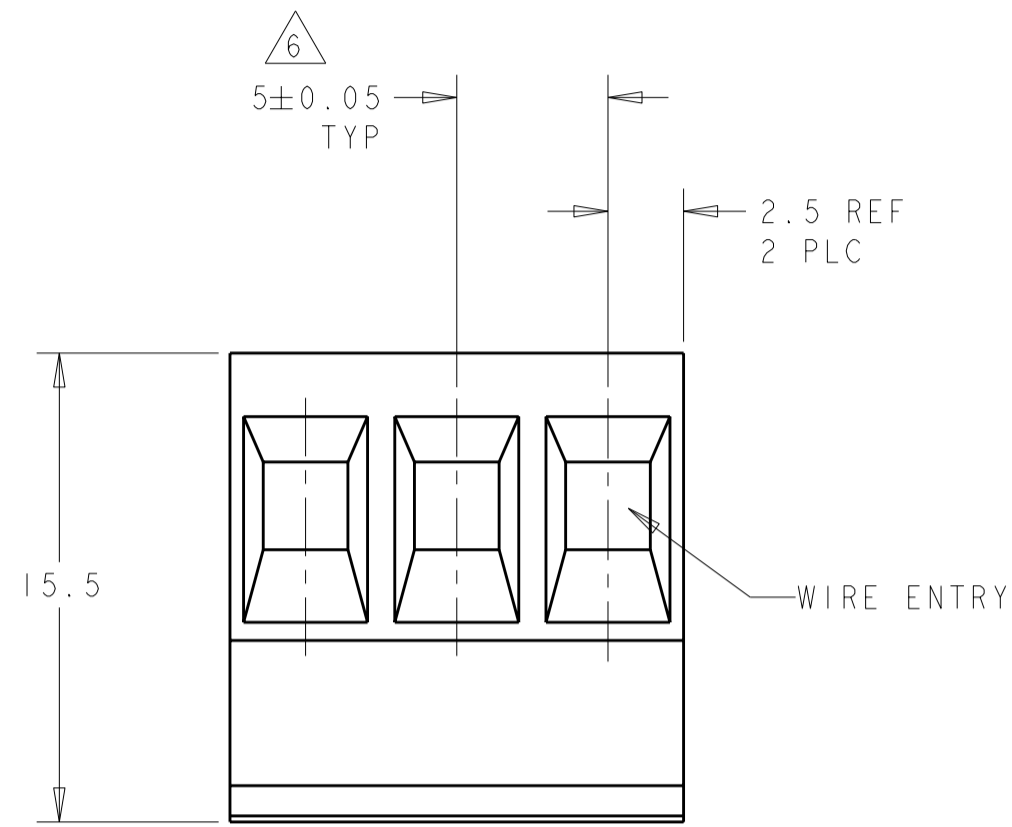


THIS DRAWING IS UNPUBLISHED. RELEASED FOR PUBLICATION 20
 © COPYRIGHT 20 BY TYCO ELECTRONICS CORPORATION. ALL RIGHTS RESERVED.

LOC		DIST		REVISIONS			
P	LTR	DESCRIPTION		DATE	DWN	APVD	
	F7	REVISED PER ECO-09-016429		29JUL2009	SS	CR	



796640-3 AS SHOWN

TERMINAL PLATING	MARKING	SPECIAL	L	NO OF POSN	PART NUMBER
TIN	7 9	MARK 4 TO 1	20.00	4	5-796640-4
TIN	7 9	MARK 3 TO 1	15.00	3	5-796640-3
TIN	7 9	MARK 1 TO 3	15.00	3	5-796640-2
TIN	7 9	MARK 1 TO 3	15.00	3	5-796640-1
TIN	7 9	MARK 1 TO 4	20.00	4	5-796640-0
TIN	7 9	MARK 15 TO 28	70.00	14	4-796640-9
TIN	7 9	MARK 13 TO 24	60.00	12	4-796640-8
TIN	7 9	MARK 1 TO 14	70.00	14	4-796640-7
TIN	8 9	MARK 1 TO 12	60.00	12	4-796640-6
TIN	8 9	MARK 1 TO 7	35.00	7	4-796640-5
TIN	8 9	MARK 1 TO 5	25.00	5	4-796640-4
TIN	8 9	MARK 11 TO 15	25.00	5	4-796640-3
TIN	-	DETAIL S	35.00	7	4-796640-2
TIN	7 9	MARK 1 TO 3	15.00	3	4-796640-1
TIN	-	DETAIL P	20.00	4	3-796640-9
TIN	7 9	MARK 1 TO 8	40.00	8	3-796640-8
TIN	7 9	MARK 37 TO 54	90.00	18	3-796640-7
TIN	7 9	MARK 19 TO 36	90.00	18	3-796640-6
TIN	7 9	MARK 1 TO 18	90.00	18	3-796640-5
TIN	8 9	MARK 1 TO 10	50.00	10	3-796640-4
TIN	8 9	MARK 1 TO 8	40.00	8	3-796640-3
TIN	7 9	DETAIL N	30.00	6	3-796640-0
TIN	7 9	MARK 1 TO 6	30.00	6	2-796640-9
TIN	-	-	125.00	25	2-796640-5
TIN	-	-	120.00	24	2-796640-4
TIN	-	-	115.00	23	2-796640-3
TIN	-	-	110.00	22	2-796640-2
TIN	-	-	105.00	21	2-796640-1
TIN	-	-	100.00	20	2-796640-0
TIN	-	-	95.00	19	1-796640-9
TIN	-	-	90.00	18	1-796640-8
TIN	-	-	85.00	17	1-796640-7
TIN	-	-	80.00	16	1-796640-6
TIN	-	-	75.00	15	1-796640-5
TIN	-	-	70.00	14	1-796640-4
TIN	-	-	65.00	13	1-796640-3
TIN	-	-	60.00	12	1-796640-2
TIN	-	-	55.00	11	1-796640-1
TIN	-	-	50.00	10	1-796640-0
TIN	-	-	45.00	9	796640-9
TIN	-	-	40.00	8	796640-8
TIN	-	-	35.00	7	796640-7
TIN	-	-	30.00	6	796640-6
TIN	-	-	25.00	5	796640-5
TIN	-	-	20.00	4	796640-4
TIN	-	-	15.00	3	796640-3
TIN	-	-	10.00	2	796640-2

POLARIZATION KEY SLOT

CLAMPING SCREW

MATING FACE

RETENTION LATCH

WIRE ENTRY

THIS DRAWING IS A CONTROLLED DOCUMENT FOR TYCO ELECTRONICS CORPORATION. IT IS SUBJECT TO CHANGE AND THE CONTROLLING ENGINEERING ORGANIZATION SHOULD BE CONTACTED FOR THE LATEST REVISION.

DWN S. WELDON 18OCT2000
 CHK D. BIEVENOUR 18OCT2000
 APVD D. BIEVENOUR 18OCT2000

Tyco Electronics
 Harrisburg, PA 17105-3608

NAME: TERMINAL BLOCK, PLUG, STACKING
 5.00mm PITCH

SIZE: A2 CAGE CODE: 00779 DRAWING NO: 796640 RESTRICTED TO: -

MATERIAL: FINISH:

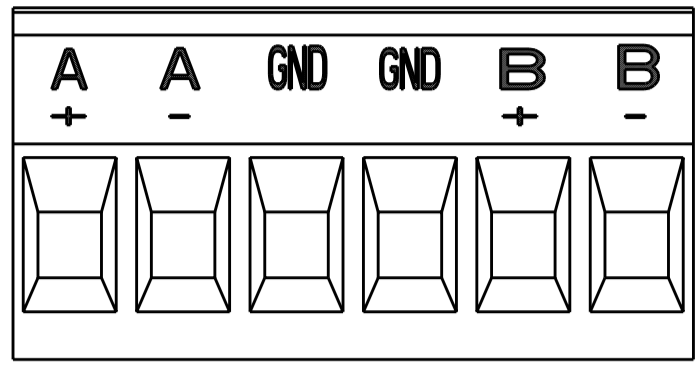
TOLERANCES UNLESS OTHERWISE SPECIFIED:
 0 PLC ±
 1 PLC ±0.3
 2 PLC ±0.25
 3 PLC ±
 4 PLC ±
 ANGLES ±2

APPLICATION SPEC: -
 WEIGHT: -

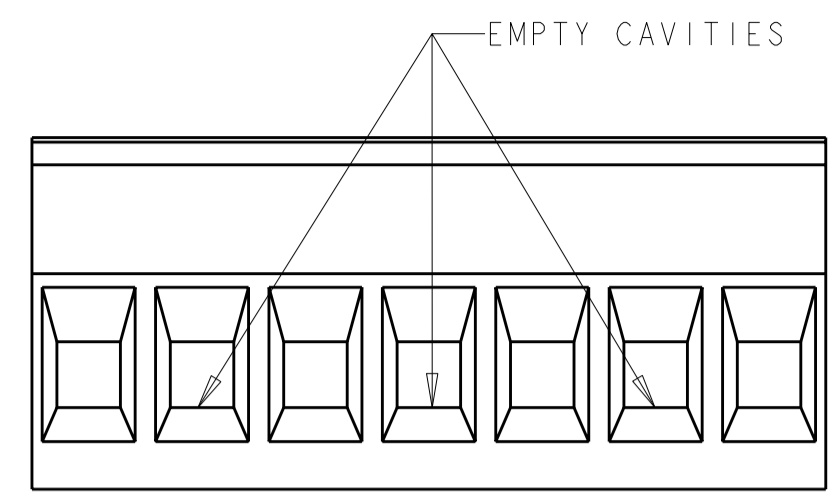
CUSTOMER DRAWING SCALE: 4:1 SHEET 1 OF 2 REV F7

THIS DRAWING IS UNPUBLISHED. RELEASED FOR PUBLICATION 20
 © COPYRIGHT 20 BY TYCO ELECTRONICS CORPORATION. ALL RIGHTS RESERVED.

LOC		DIST		REVISIONS			
P	LTR	DESCRIPTION	DATE	DWN	APVD		
-	-	SEE SHEET 1	-	-	-		



DETAIL N



DETAIL S

- 1 MATERIALS AND FINISH:
 HOUSING: PA 6-6, UL 94-V0, COLOR: GREEN.
 CLAMP: BRASS, NICKEL PLATED.
 DOUBLE SIDE CONTACT SPRING: PHOSPHOR BRONZE, PLATING: SEE TABLE.
 CLAMPING SCREW: M3, BRASS, NICKEL PLATED.

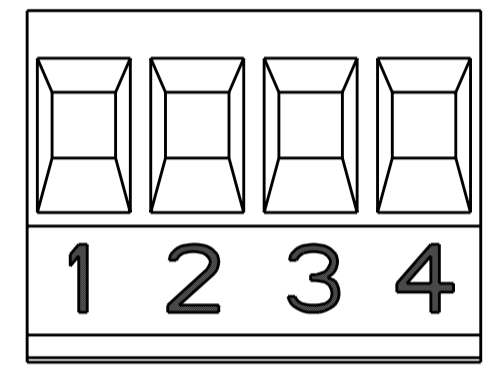
- 2. END-TO-END STACKABLE WITHOUT LOSS OF CENTERLINE SPACING.
- 3. WIRE SIZE RANGE: 12-30 AWG.
- 4. RECOGNIZED UNDER THE COMPONENT PROGRAM OF UNDERWRITERS LABORATORIES INC. FILE N° E60677.
- 5. IMQ CERTIFICATE WITH SURVEILLANCE IN CONFORMITY WITH IEC 998-1/998-2-1.

- 6 NOT CUMULATIVE TOLERANCE
- 7 INK MARKING: BLACK COLOR.
- 8 INK MARKING: WHITE COLOR.
- 9 NUMERICAL SEQUENCE: FROM LEFT TO RIGHT, WIRE ENTRY SIDE.
- 10 RETENTION LATCHES REMOVED

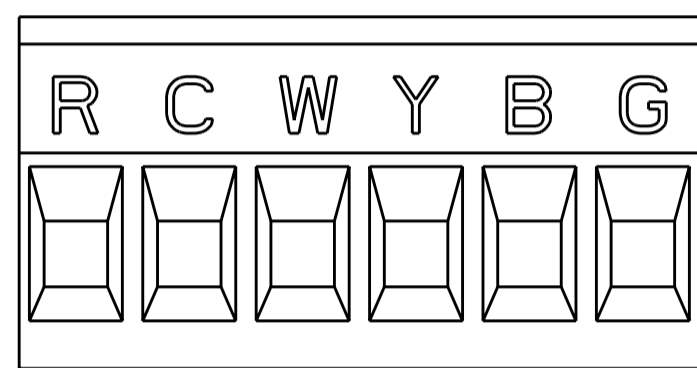
- 11. BUCHANAN LOGO TO APPEAR ON HOUSING, LOCATION OPTIONAL WHERE SPACE PERMITS.

- 12 WIRE ENTRY CLOSED.
- 13 PRELIMINARY - NOT FOR PRODUCTION.

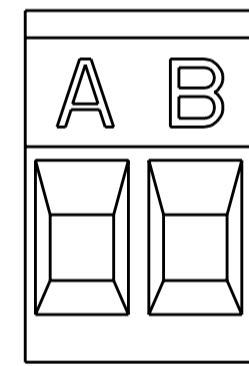
- 14 NUMERICAL SEQUENCE: FROM RIGHT TO LEFT, WIRE ENTRY SIDE.



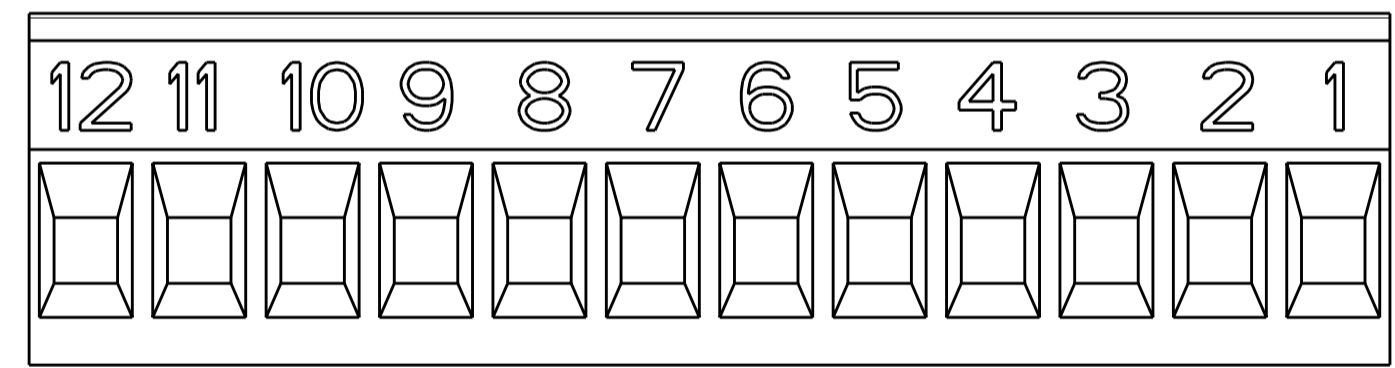
DETAIL P



DETAIL T

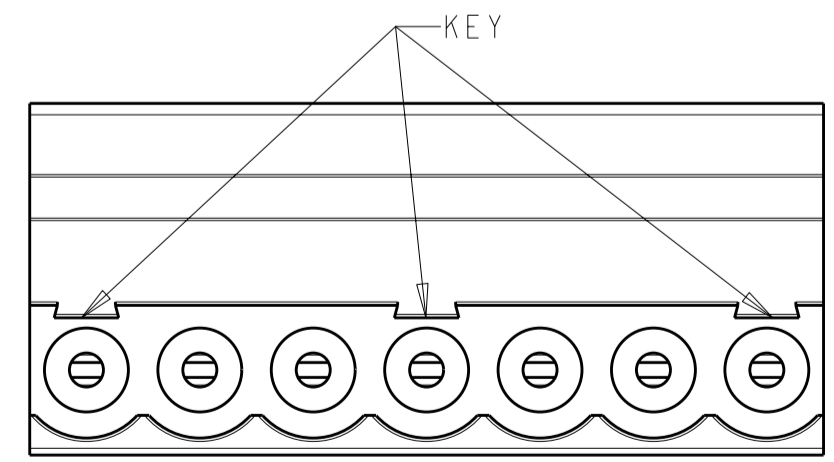


DETAIL U

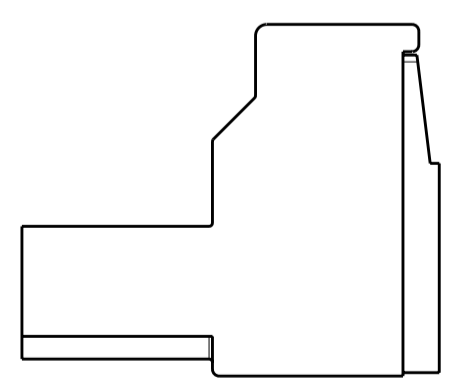


DETAIL V

13	TIN	-	DETAIL W, NO LATCH KEY POSN 1,4,7	35.00	7	6-796640-1
13	TIN	7 14	DETAIL V	60.00	12	6-796640-0
13	GOLD FLASH	-	-	35.00	7	5-796640-9
	TIN	7	DETAIL U	10.00	2	5-796640-8
	TIN	7	DETAIL T	30.00	6	5-796640-7
13	TIN	7 9	MARK 13 TO 24	60.00	12	5-796640-6
13	TIN	7 9	MARK 25 TO 38	70.00	14	5-796640-5
	TERMINAL PLATING	MARKING	SPECIAL	L	NO OF POSN	PART NUMBER



DETAIL W



THIS DRAWING IS A CONTROLLED DOCUMENT FOR TYCO ELECTRONICS CORPORATION IT IS SUBJECT TO CHANGE AND THE CONTROLLING ENGINEERING ORGANIZATION SHOULD BE CONTACTED FOR THE LATEST REVISION.

DIMENSIONS: mm	TOLERANCES UNLESS OTHERWISE SPECIFIED: 0 PLC ± 1 PLC ±0.3 2 PLC ±0.25 3 PLC ± 4 PLC ± ANGLES ±2 FINISH -	DWN S. WELDON 18OCT2000 CHK D. BIEVENOUR 18OCT2000 APVD D. BIEVENOUR 18OCT2000	Tyco Electronics Harrisburg, PA 17105-3608
MATERIAL -		PRODUCT SPEC - APPLICATION SPEC - WEIGHT -	NAME TERMINAL BLOCK, PLUG, STACKING 5.00mm PITCH SIZE A2 CAGE CODE 00779 C=796640 DRAWING NO 796640 RESTRICTED TO -
CUSTOMER DRAWING		SCALE 4:1	SHEET 2 OF 2 REV F7