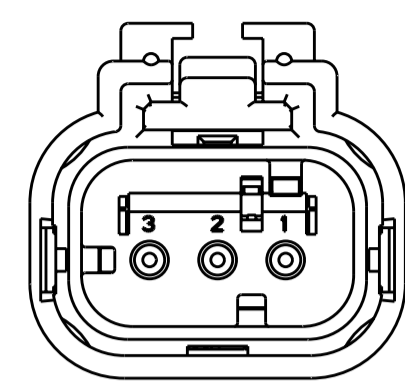
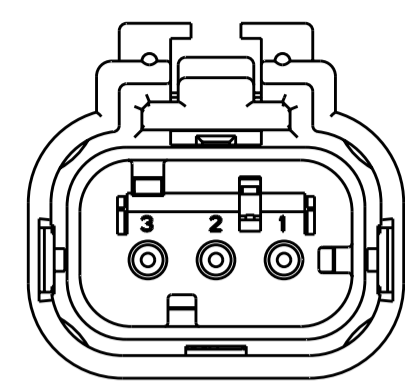


THIS DRAWING IS UNPUBLISHED. RELEASED FOR PUBLICATION 20
 © COPYRIGHT 20 BY TYCO ELECTRONICS CORPORATION. ALL INTERNATIONAL RIGHTS RESERVED.

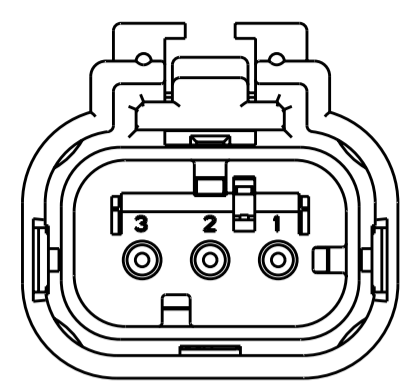
LOC	DIST	REVISIONS					
GE	00	P	LTR	DESCRIPTION	DATE	DWN	APVD
			DI	REVISED PER ECO-09-024890	23NOV2009	DD	RB



776523-2
SCALE 2:1
KEY B

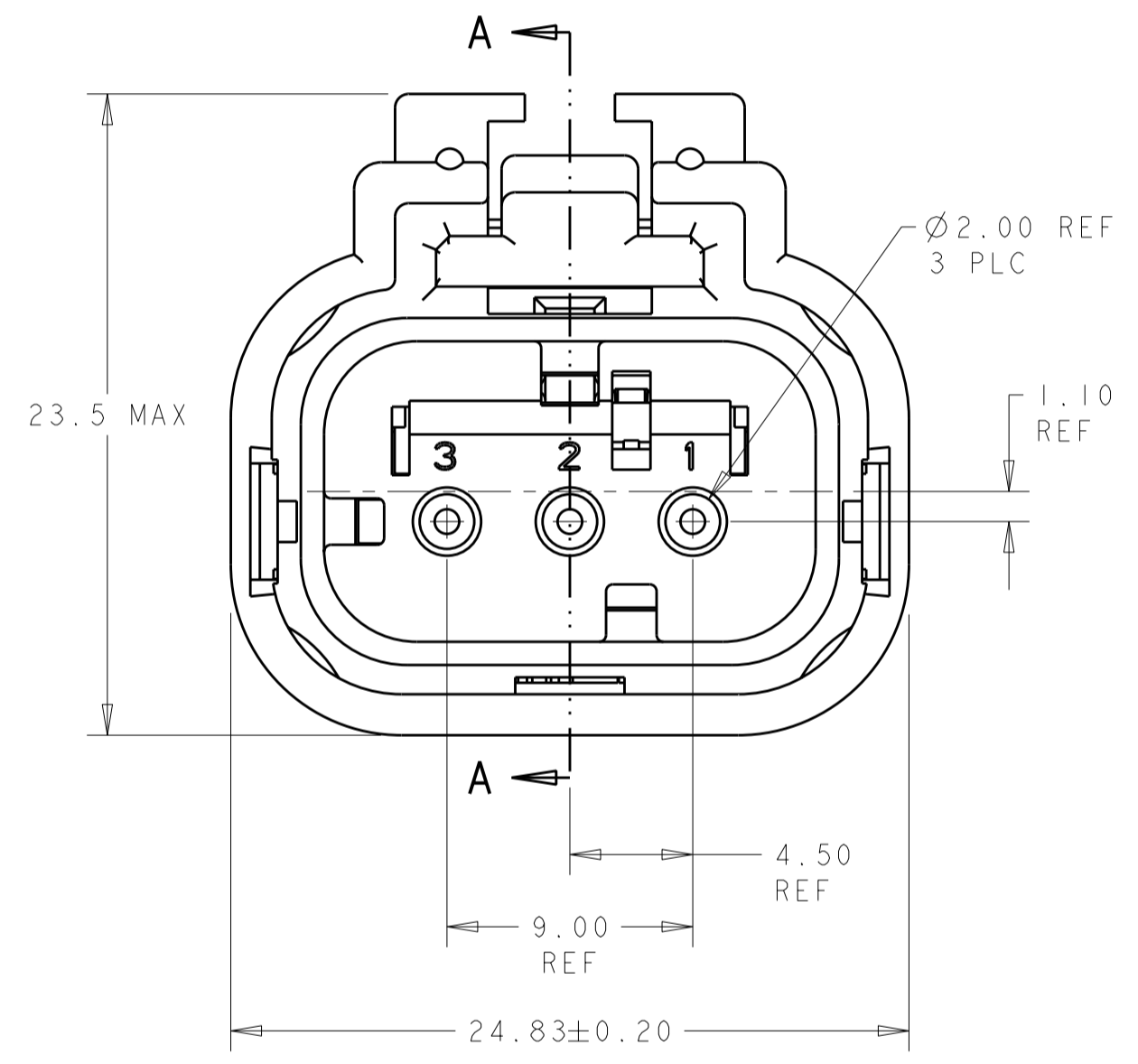


776523-3
SCALE 2:1
KEY C

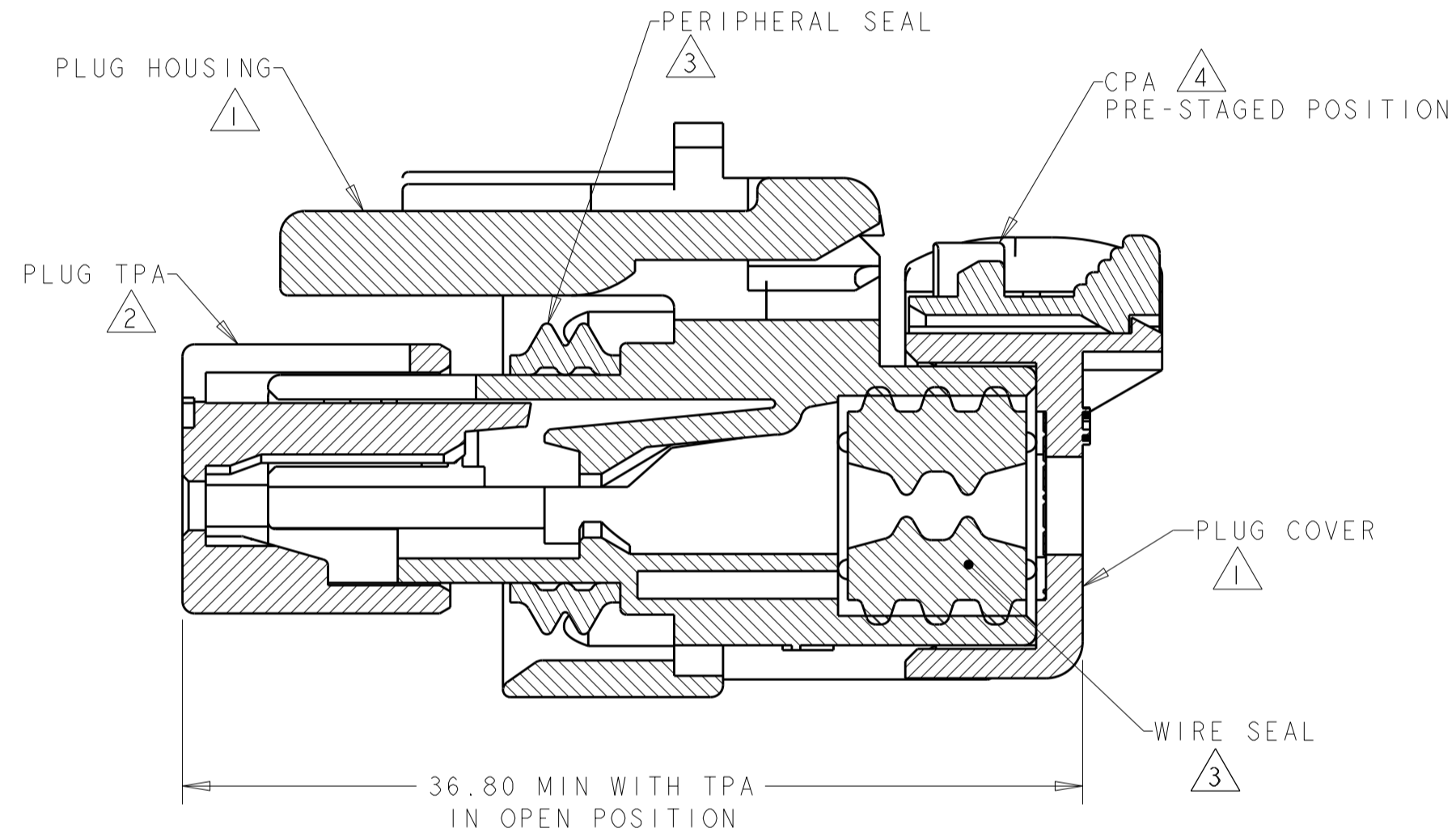


776523-4
SCALE 2:1
KEY D

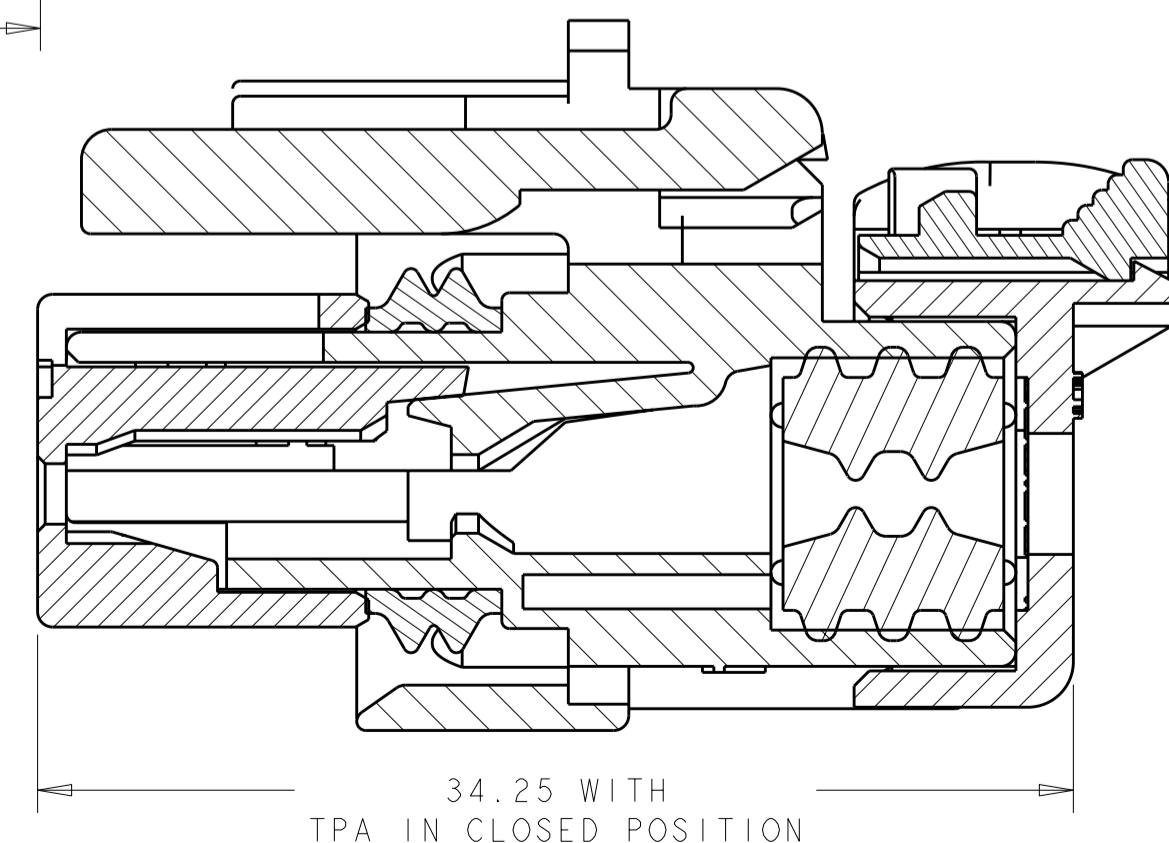
- 1 MATERIAL: 15% GLASS FILLED THERMOPLASTIC
COLOR: BLACK
 - 2 MATERIAL: 15% GLASS FILLED THERMOPLASTIC
COLOR: (SEE TABLE)
 - 3 MATERIAL: SILICONE
COLOR: ORANGE
 - 4 MATERIAL: 15% GLASS FILLED THERMOPLASTIC
COLOR: RED
5. RECOMMENDED WIRE DIAMETER RANGE IS 1.30 TO 2.54mm.



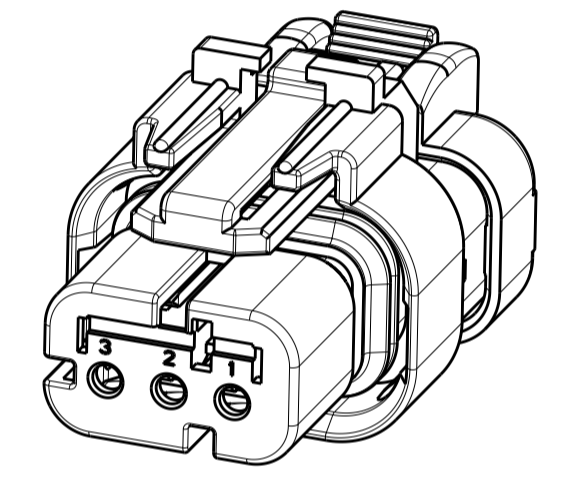
776523-1 SHOWN
KEY A



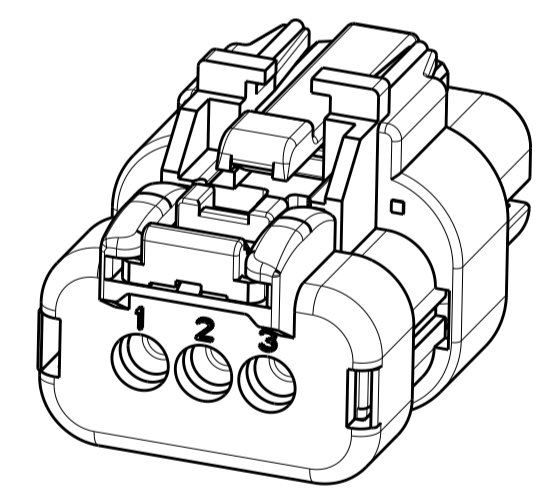
SECTION A-A



SECTION A-A



SCALE 2:1



SCALE 2:1

D	GREEN	776523-4
C	YELLOW	776523-3
B	GRAY	776523-2
A	RED	776523-1
KEY	TPA COLOR	PART NUMBER

THIS DRAWING IS A CONTROLLED DOCUMENT FOR TYCO ELECTRONICS CORPORATION
 IT IS SUBJECT TO CHANGE AND THE CONTROLLING ENGINEERING ORGANIZATION
 SHOULD BE CONTACTED FOR THE LATEST REVISION.

DIMENSIONS:	TOLERANCES UNLESS OTHERWISE SPECIFIED:	DWN	22FEB00	Tyco Electronics Harrisburg, PA 17105-3608
mm	0 PLC ±	CHK	AJ GRAFF	
	1 PLC ±	APVD	R. GREINER	
	2 PLC ±	PRODUCT SPEC	M. TRULLI	
	3 PLC ±	APPLICATION SPEC	108-2184	NAME
	4 PLC ±	114-13065	114-13065	SIZE
	ANGLES ±	WEIGHT	10±1g	CAGE CODE
	FINISH	CUSTOMER DRAWING		DRAWING NO
				RESTRICTED TO

PLUG ASSEMBLY,
 3 POSITION, SINGLE ROW
 REDUCED DIA WIRE SEAL, AMPSEAL 16

A200779C-776523

SCALE 4:1 SHEET 1 OF 1 REV DI