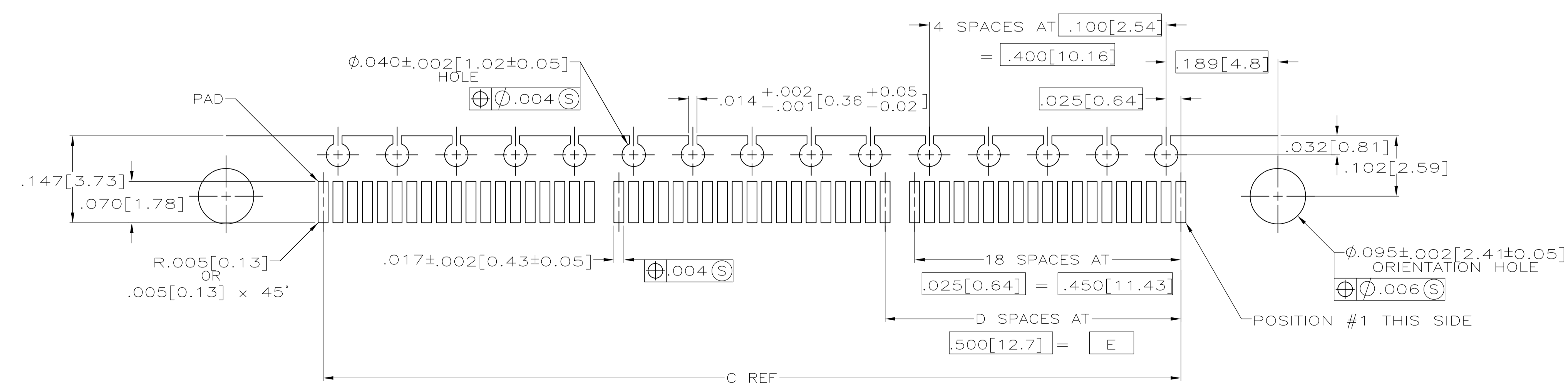
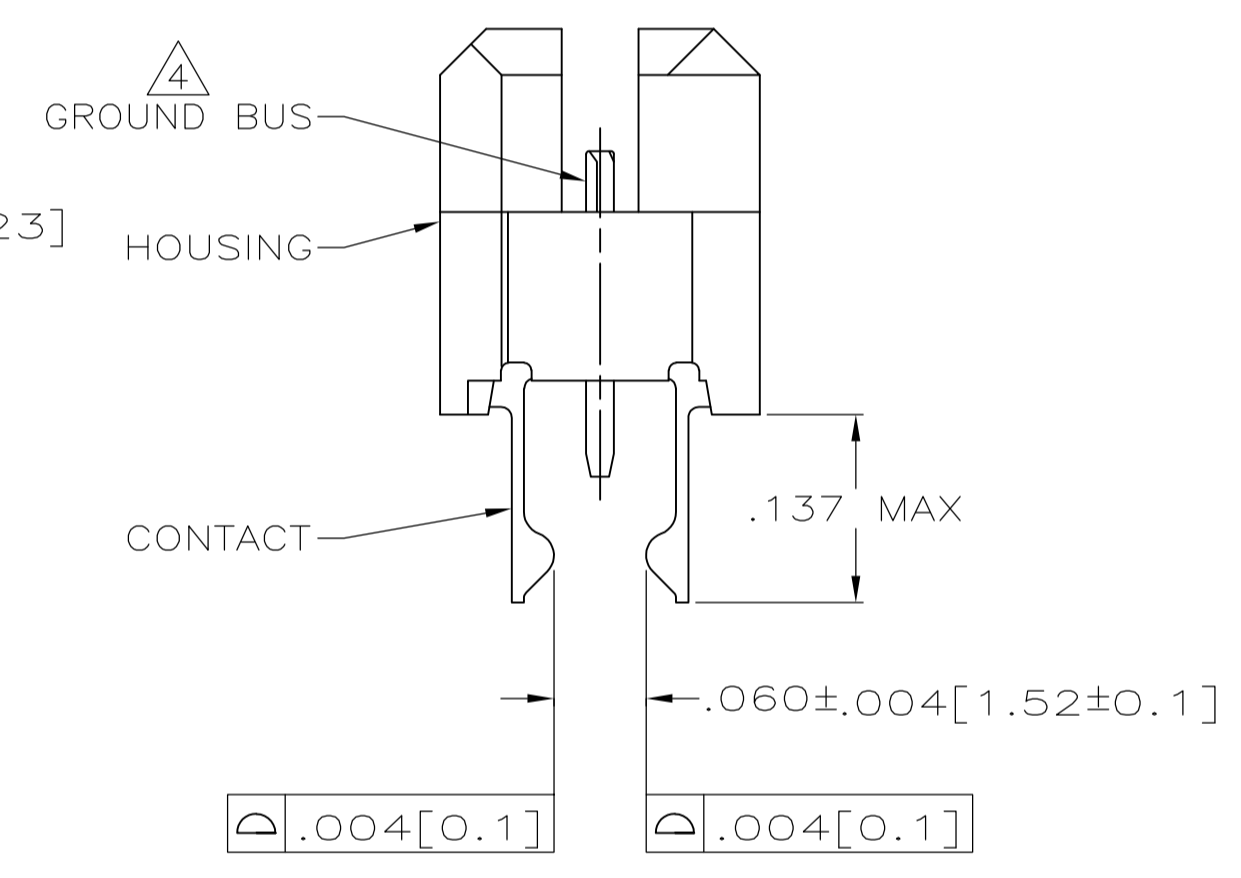
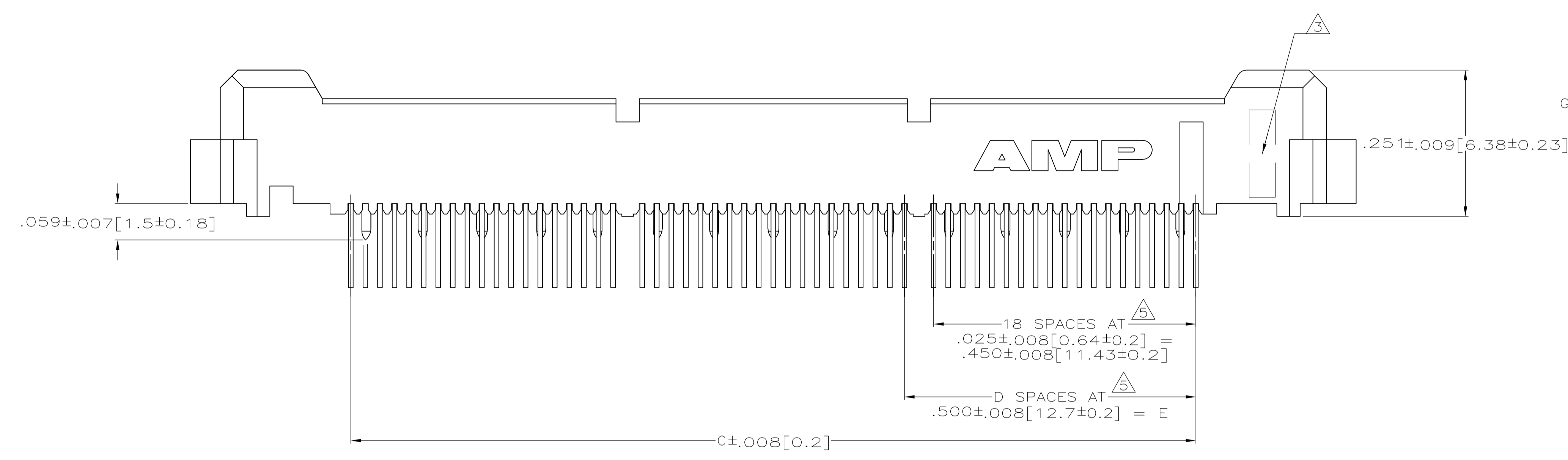


- 1 HOUSING: LIQUID CRYSTAL POLYMER, COLOR BLACK.  
CONTACTS: HIGH RELIABILITY COPPER ALLOY.  
GROUND BUSES: PHOSPHOR BRONZE ALLOY, UNS C51100.
- 2 CONTACTS & GROUND BUSES: NICKEL UNDERPLATE ALL OVER,  
MATING SURFACE PLATED TO MEET LEVEL 2 PERFORMANCE  
REQUIREMENTS OF TE PRODUCT SPECIFICATION 108-1422,  
SOLDER TAILS PLATED TIN-LEAD.
- 3 DATE CODE MARKED IN AREA INDICATED ON SAME SIDE AS  
POSITION #1.
- 4 ONE GROUND BUS WITH 5 TAILS PER EACH MODULE.
- 5 TOLERANCE NON-ACCUMULATIVE.



RECOMMENDED PC BOARD LAYOUT  
(MIRROR IMAGE ON OPPOSITE SIDE)

OBsolete	3.000[76.2]	6	3.450[87.63]	3.898[99]	4.000[101.6]	266	767055-7
	2.500[63.5]	5	2.950[74.93]	3.398[86.31]	3.500[88.9]	228	767055-6
	2.000[50.8]	4	2.450[62.23]	2.898[73.61]	3.000[76.2]	190	767055-5
OBsolete	1.500[38.1]	3	1.950[49.53]	2.398[60.91]	2.500[63.5]	152	767055-4
	1.000[25.4]	2	1.450[36.83]	1.898[48.21]	2.000[50.8]	114	767055-3
	.500[12.7]	1	.950[24.13]	1.398[35.51]	1.500[38.1]	76	767055-2
	.000[0]	0	.450[11.43]	.898[22.81]	1.000[25.4]	38	767055-1
	E	D	C	B	A	NO OF POS	PART NUMBER

THIS DRAWING IS A CONTROLLED DOCUMENT.		DIN J.GERACE 23AUG96	Tyco Electronics Corporation Harrisburg, PA 17105-3608
DIMENSIONS: INCHES[mm]		CIK P.MATAR 23AUG96	
TOLERANCES UNLESS OTHERWISE SPECIFIED:		APVD A.MONK 23AUG96	PLUG ASSEMBLY, RIGHT ANGLE, .025[0.64] CENTER LINE, .062[1.57] PCB, MICTOR
0 PLC ± -		NAME	
1 PLC ± -		PRODUCT SPEC	108-1422
2 PLC ± -		APPLICATION SPEC	114-13088
3 PLC ± .005[0.13]		SIZE	A1
4 PLC ± -		WEIGHT	00779
ANGLES ± -		CAGE CODE	767055
FINISH		DRAWING NO	767055
		RESTRICTED TO	
		CUSTOMER DRAWING	SCALE 8:1 SHEET 1 OF 1 REV R