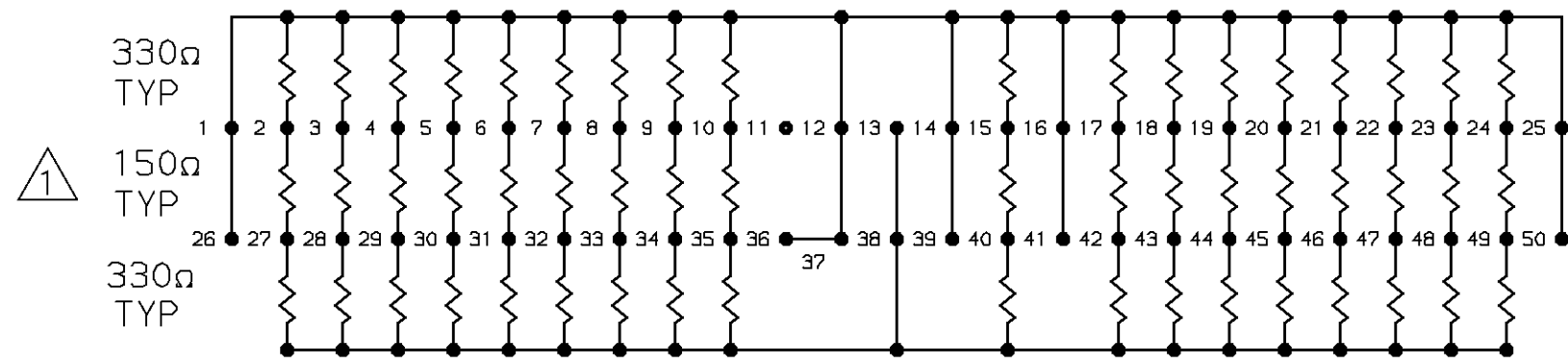
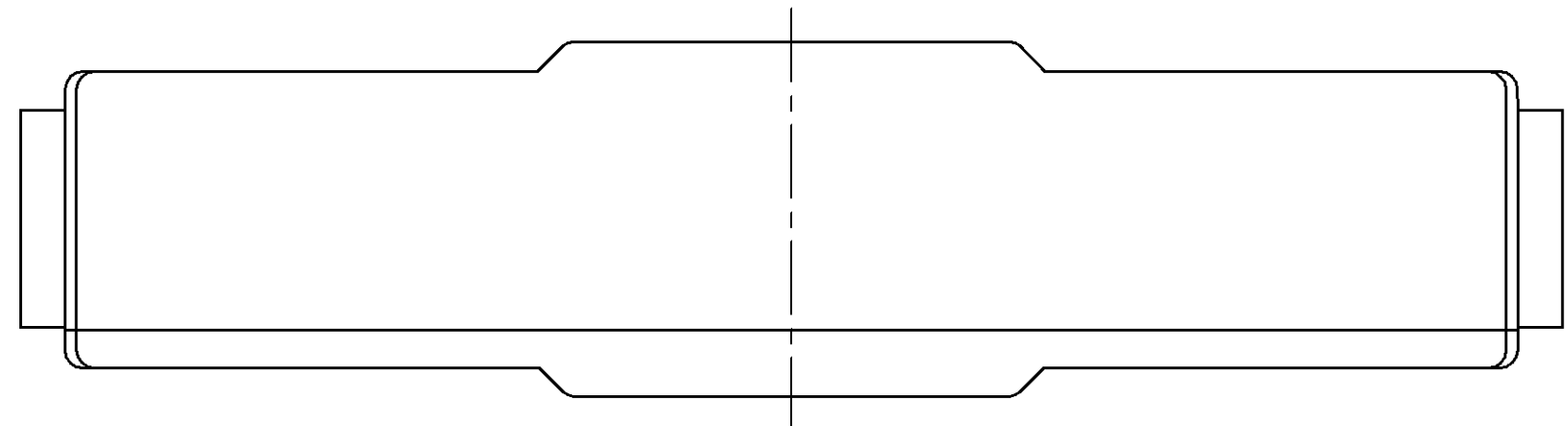
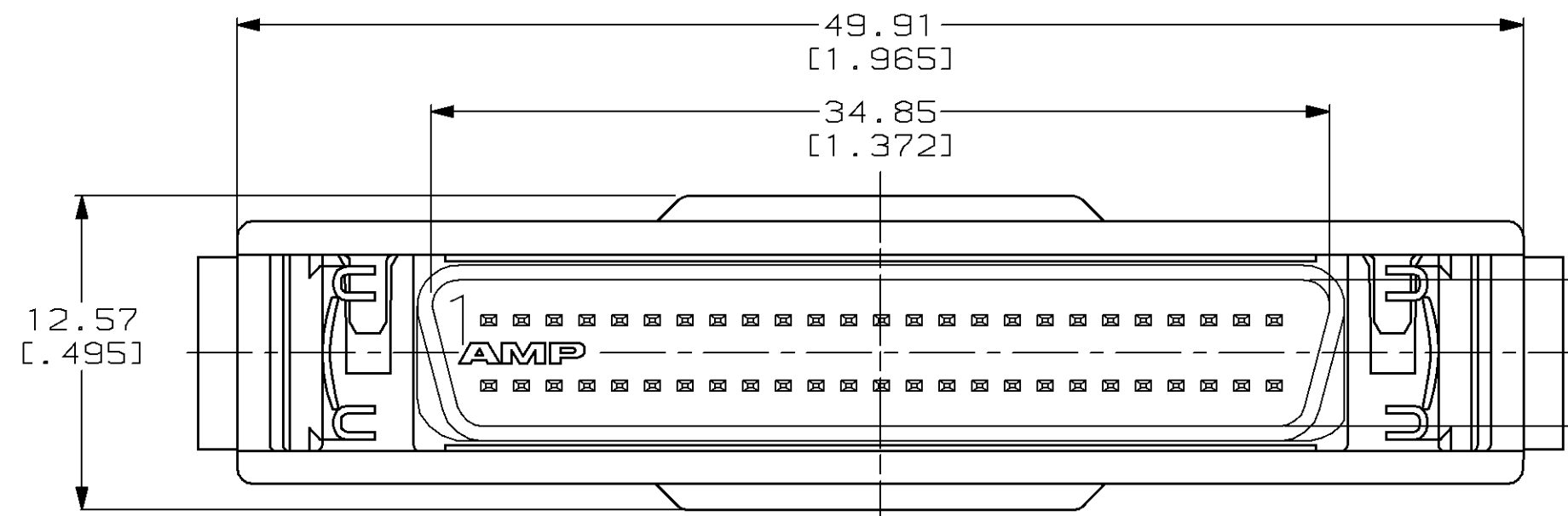
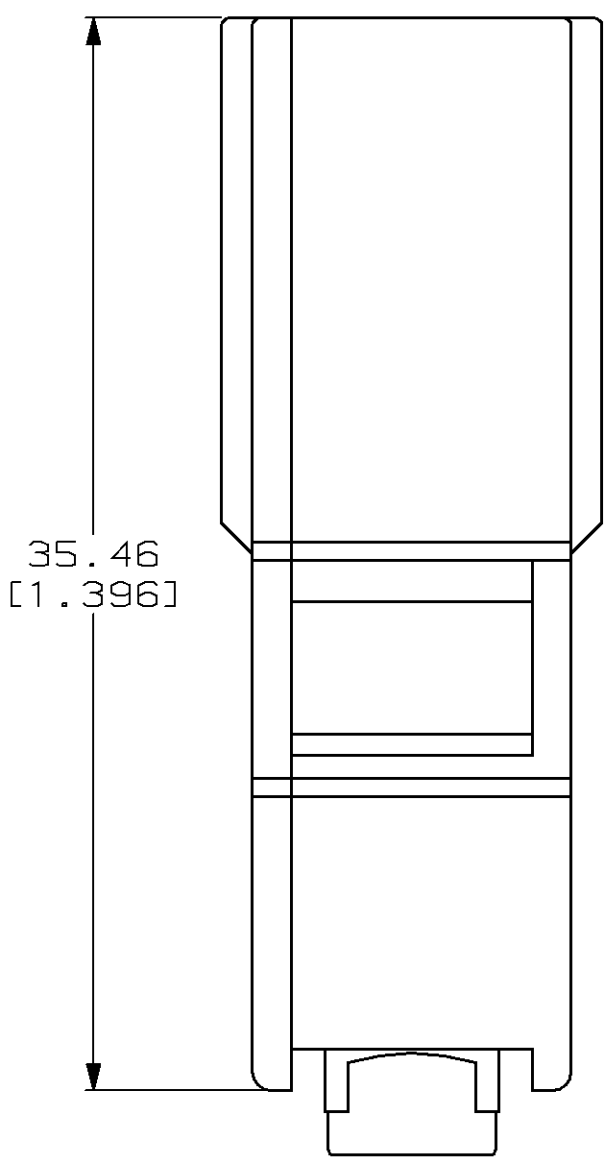
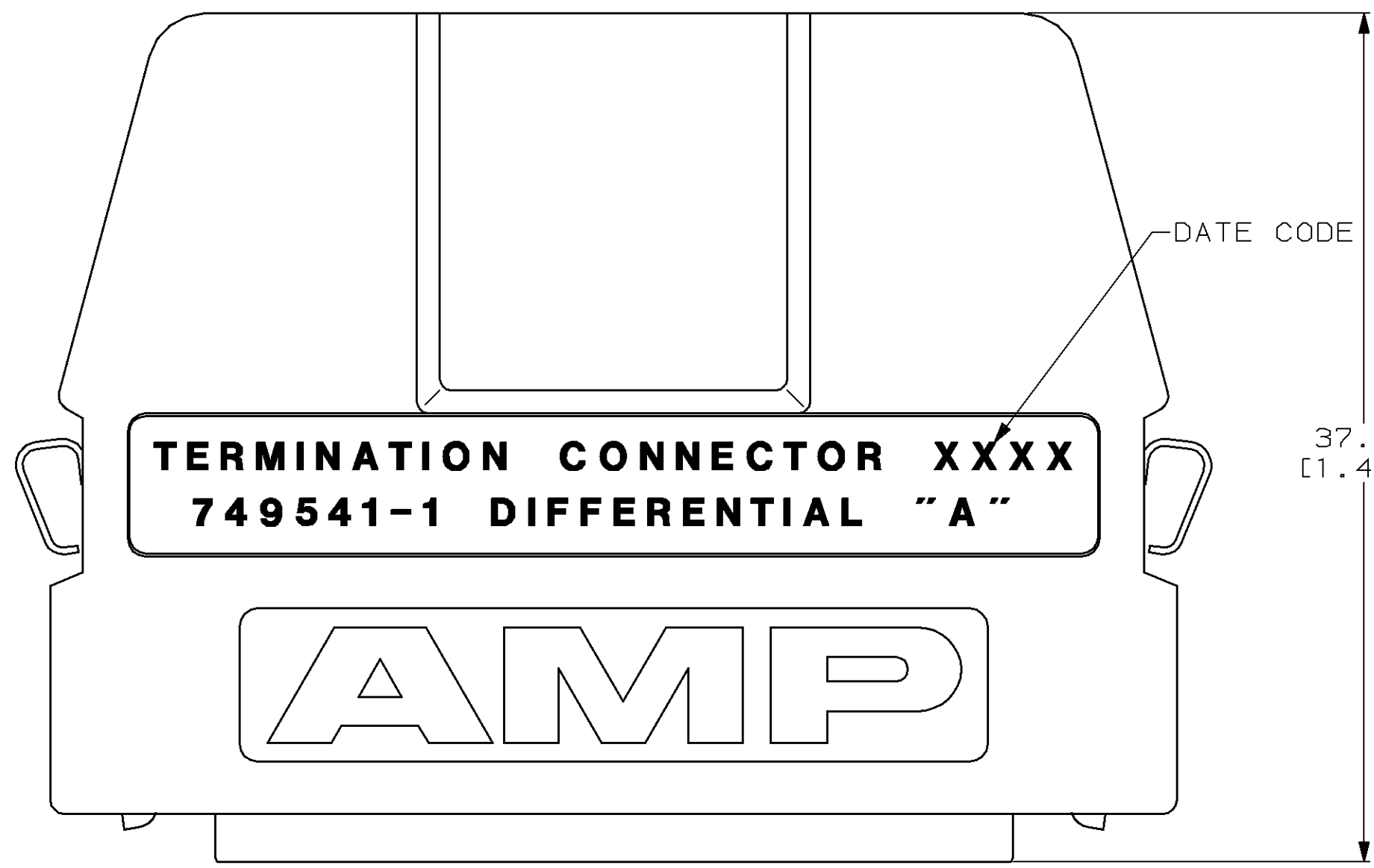


MOD	LOC	DIST	P	F	ZONE	LTR	DESCRIPTION	DATE	APPD
11	BD	62					REV PER EC 0020-601-93	10/27/93	PR
							REV PER EC 0020-1283-94	01/04/95	PR



SCHEMATIC



△ TOLERANCE: ±5%

DO NOT SCALE PRINT. UNLESS SPECIFIED DIMENSIONS IN mm [INCHES] TOLERANCES ON : 2 PLC DEC ±.25 [.010] 3 PLC DEC ± - ANGLES ± -		DR 11/30/89 S.G.SMITH	AS SHOWN		749541-1
MATERIAL HOUSING: ZINC DIE CASTING CONTACT: PHOS BRONZE INSERT: THERMOPLASTIC RESISTOR: THICK FILM NETWORK ON ALUMINA SUBSTRATE LATCHES: STAINLESS STEEL	CHK 11/30/89 K.ULERY	APPD 11/30/89 B.MOSSER	REMARKS		
FINISH HOUSING: NICKEL OVER COPPER CONTACT: 30µ" GOLD OVER NICKEL LATCHES: NONE	APPD 11/30/89 E.MYERS	PRODUCT SPEC	PART NO		
APPLICATION SPEC		NAME	AMP INCORPORATED Harrisburg, Pa. 17105		
WEIGHT -	SCALE 4:1	SIZE C	TERMINATION CONNECTOR AMPLIMITE .050 Series 50 POSN, PLUG		
		CAGE CODE 00779	DRAWING NO 749541-1		
		DRAWING NO	SHEET 1 OF 1		