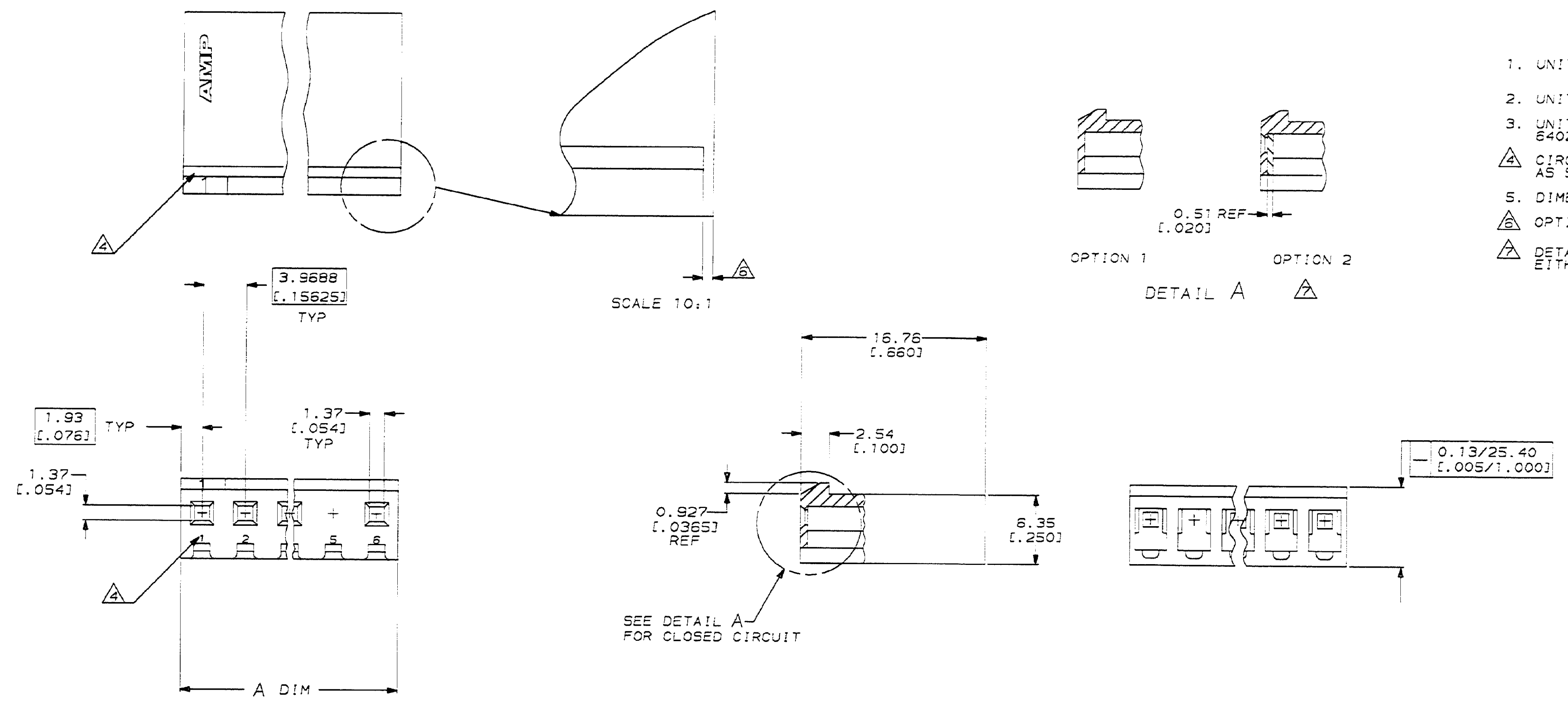


LOC	DIST	REV	DATE	APPD
CM	54	B	12-22-93	LS



- UNIT ACCEPTS 1.14 [.045] SQUARE OR ROUND POST.
- UNIT ACCEPTS STANDARD SL-156 CONTACTS.
- UNIT ACCEPTS KEYING PLUG 640254-1 AND KEYING PIN 640255-1.
- CIRCUIT I.D. NUMBER(S), TO BE LOCATED SEQUENTIALLY AS SHOWN OR ONLY NO.1 CIRCUIT PLACED ON LOCKING RAMP.
- DIMENSIONS IN BRACKETS ARE IN INCHES.
- OPTIONAL CONSTRUCTION (BOTH CORNERS) UP TO 1.27[.050]
- DETAIL A SHOWS CIRCUIT NO. 5 MOLDED CLOSED. EITHER OPTION 1 OR OPTION 2 MAY BE USED.

NO. OF CIRCUITS	PART NO
6	644233-6
A ±0.25 [.010]	

DO NOT SCALE PRINT. UNLESS SPECIFIED DIMENSIONS IN mm [INCHES] TOLERANCES ON:		DR 7-27-92 B. LEWIS		NAME AMP AMP Incorporated Harrisburg, PA 17105-3608
2 PLC DEC = - 3 PLC DEC = 0.13 [.005] ANGLES = 0°30'		CHK 7-27-92 R. SWING		
MATERIAL NYLON, UL 94V-0 NATURAL		APPD 9-28-92 E. BEILES		PRODUCT SPEC -
FINISH -		APPD 9-28-92 E. BEILES		
APPLICATION SPEC -		WEIGHT -		SIZE D
SCALE 4:1		CAGE CODE 00779		DRAWING NO 644233
		SHEET 1 OF 1		



AMP BUSINESS GROUP 3323 177-34 LARRY H. SMITH