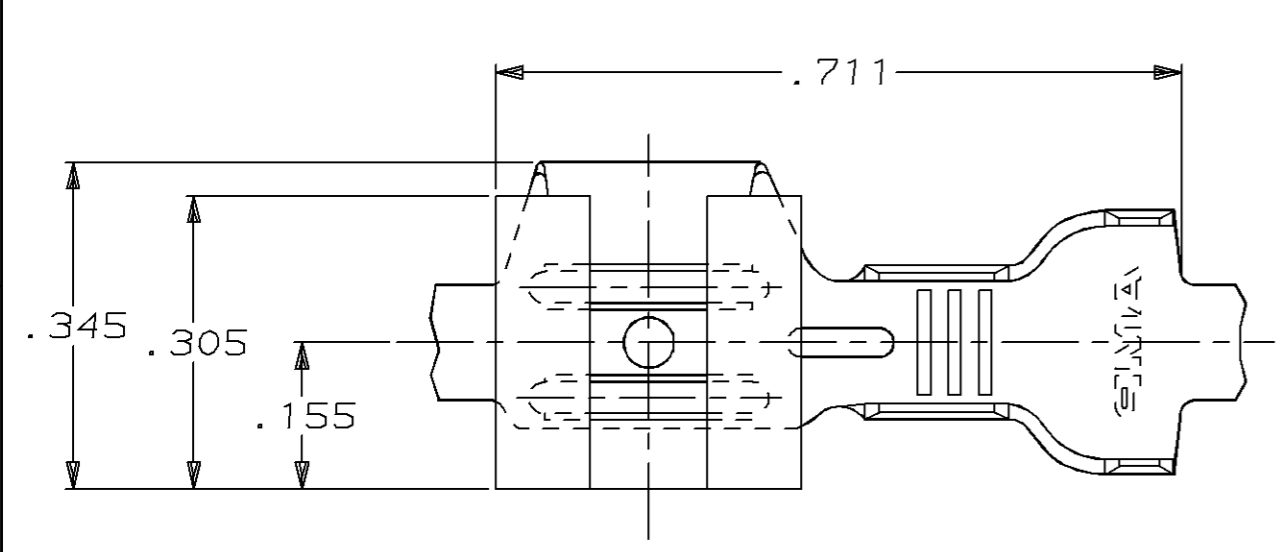
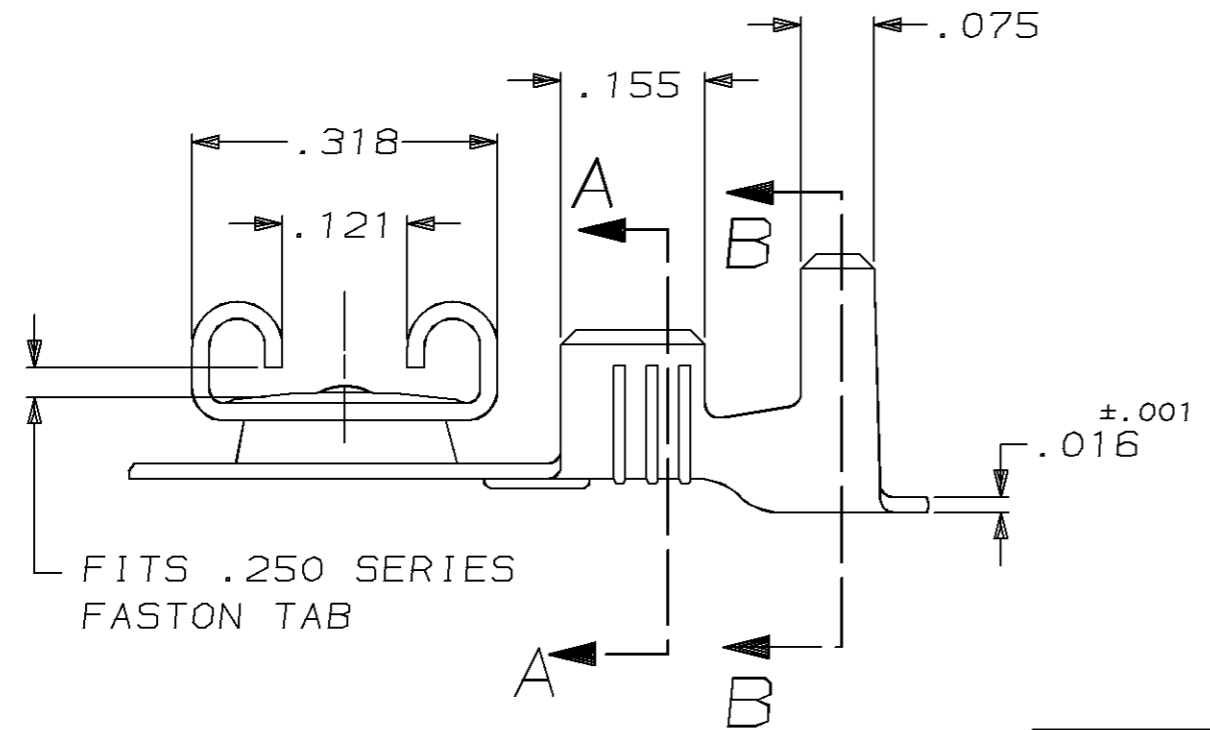


THIS DRAWING IS UNPUBLISHED. RELEASED FOR PUBLICATION, 19
 © COPYRIGHT 19 BY AMP INCORPORATED. ALL INTERNATIONAL RIGHTS RESERVED.

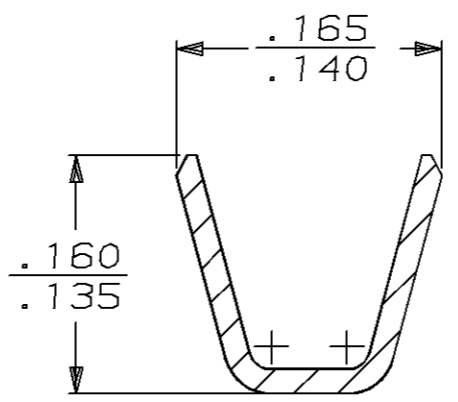
LOC	DIST	P	F	ZONE	LTR	REVISIONS	DATE	APPD
AF	50				H	REV PER 0250-94	5/27/94	JR/CM



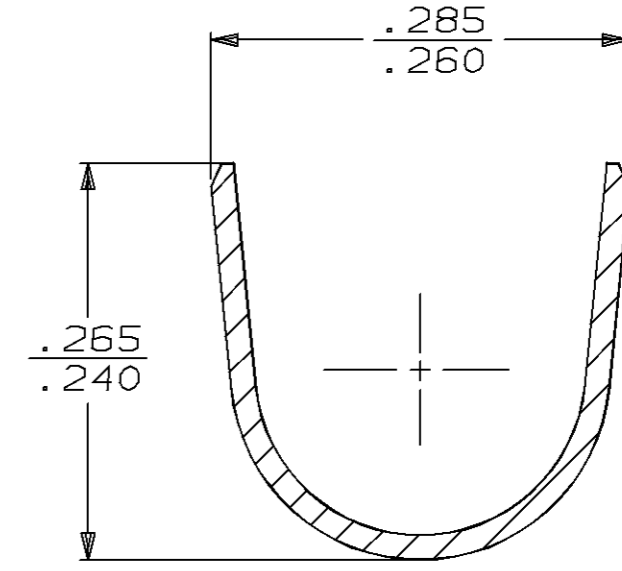
1 CONTINUOUS STRIP ON REELS.
 2 TIN PLATE .000080 MIN THK



FITS .250 SERIES FASTON TAB



SECTION A-A
SCALE 8:1



SECTION B-B
SCALE 8:1

OBSOLETE	TIN 2	.170-.220	18-14	.032	60764-2
	-	.170-.220	18-14	.032	60764-1
FINISH	INSUL RANGE	WIRE SIZE	MATING TAB THK ±.001	PART NO	

DO NOT SCALE PRINT. UNLESS SPECIFIED DIMENSIONS ARE IN INCHES. TOLERANCES ON: 2 PLC DEC ± - 3 PLC DEC ± .015 ANGLES ± -	DR 2/28/90 JR RUTH	AMP AMP INCORPORATED Harrisburg, Pa. 17105 NAME RECEPTACLE, FASTON™ FLAG, REVERSIBLE, .250 SERIES		
	CHK 2/28/90 MS FEHER			
APPD 2/28/90 C MEYERS				
APPD 2/28/90 R KUZO				
MATERIAL 4M BRASS	PRODUCT SPEC -	SIZE B	CAGE CODE 00779	DRAWING NO 60764
FINISH SEE TABLE	APPLICATION SPEC 114-2032	SCALE 5:1	SHEET 1 OF 1	
	WEIGHT -			