

4

3

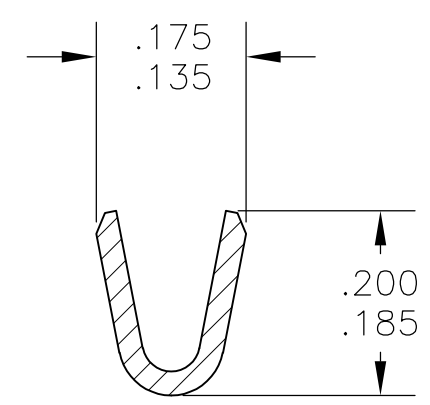
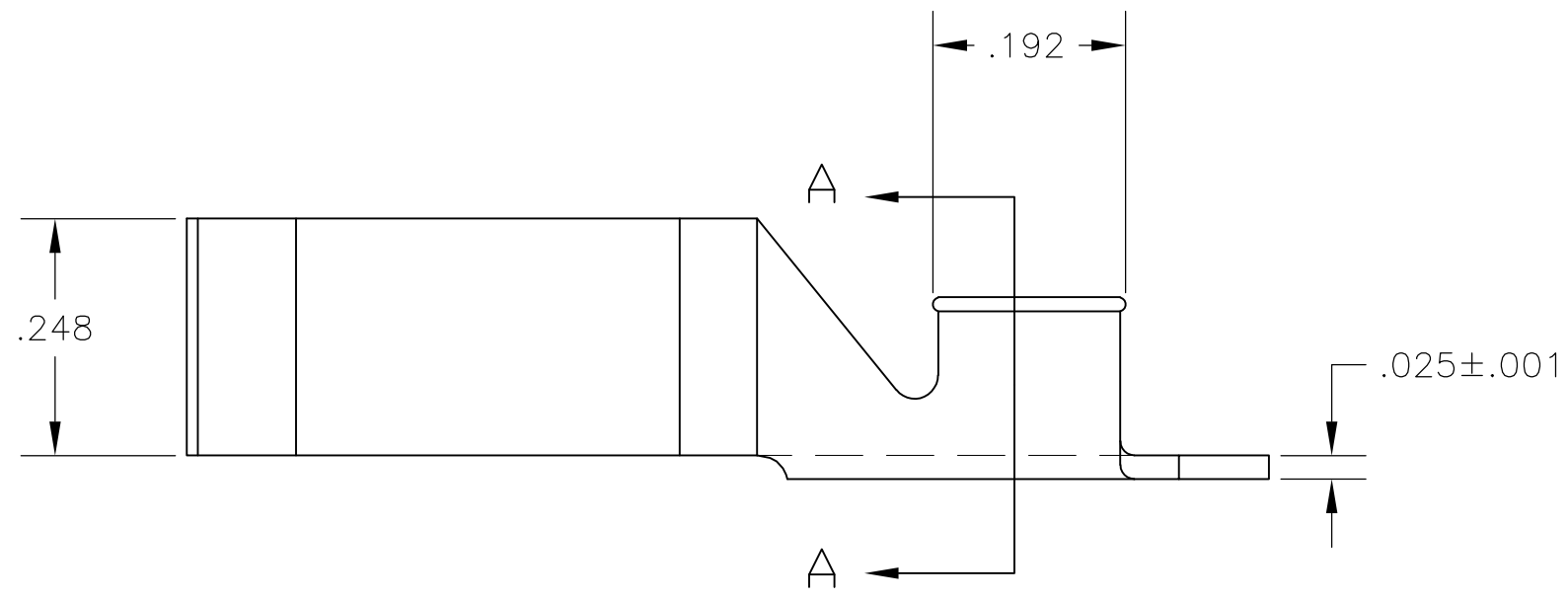
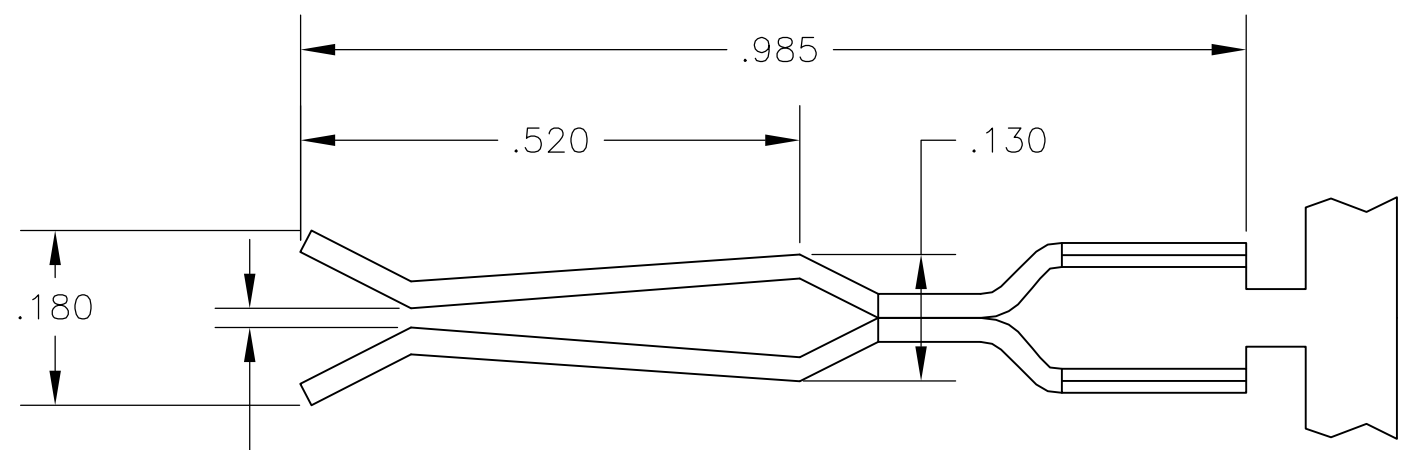
2

1

THIS DRAWING IS UNPUBLISHED. RELEASED FOR PUBLICATION  
 © COPYRIGHT - BY TYCO ELECTRONICS CORPORATION. ALL RIGHTS RESERVED.

LOC	DIST	REVISIONS					
AF	50	P	LTR	DESCRIPTION	DATE	DWN	APVD
			K1	REDRAWN PER ECR 09-001545	20JAN09	JR	PD

- 1 CONTINUOUS STRIP ON REELS
- 2 WIRE SIZE IS #18-#14 AWG



OBSOLETE	TIN	60312-2
	---	60312-1
	FINISH	PART NO

THIS DRAWING IS A CONTROLLED DOCUMENT.		DWN	jr_ruth	20JAN09	Tyco Electronics Corporation Harrisburg, PA 17105-3608		
DIMENSIONS: INCHES		CHK	PETE_DESANTIS	20JAN09			
TOLERANCES UNLESS OTHERWISE SPECIFIED:		APVD	PETE_DESANTIS	20JAN09	NAME		
0 PLC ± - 1 PLC ± - 2 PLC ± - 3 PLC ± .015 4 PLC ± - ANGLES ± 5°		PRODUCT SPEC		RECEPTACLE, .250 TAB			
MATERIAL		APPLICATION SPEC		SIZE			
TEMP 4 BRASS	FINISH	WEIGHT		CAGE CODE		DRAWING NO	
SEE TABLE		-		A300779		G-60312	
CUSTOMER DRAWING				SCALE	5:1	SHEET	1 OF 1
				RESTRICTED TO		REV	K1