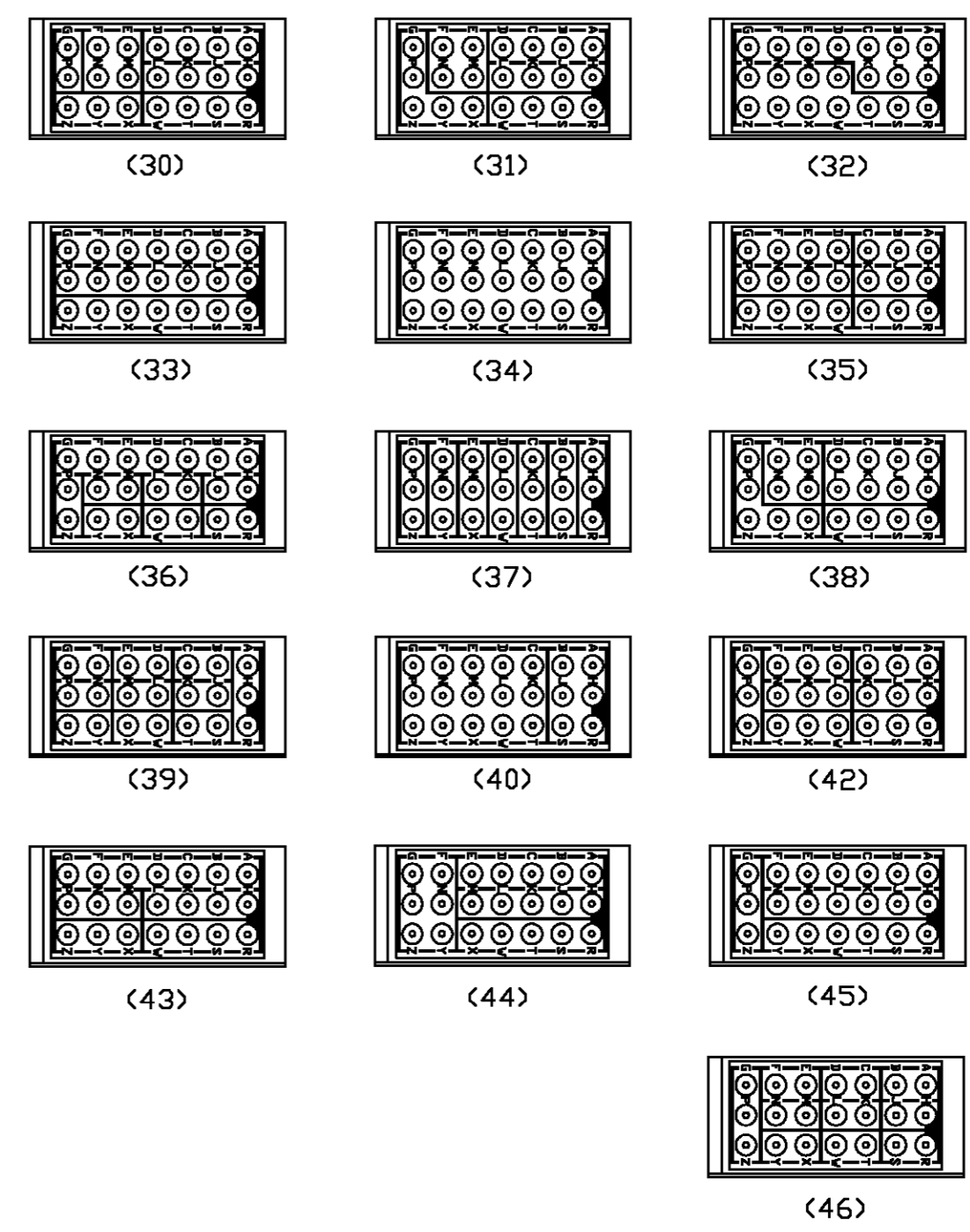
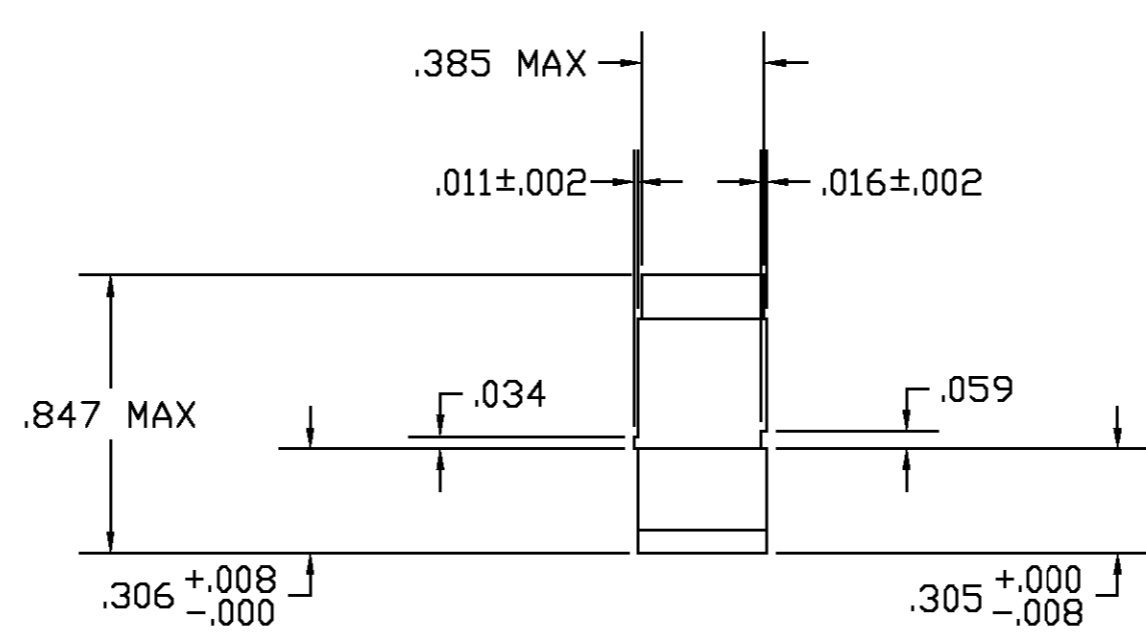
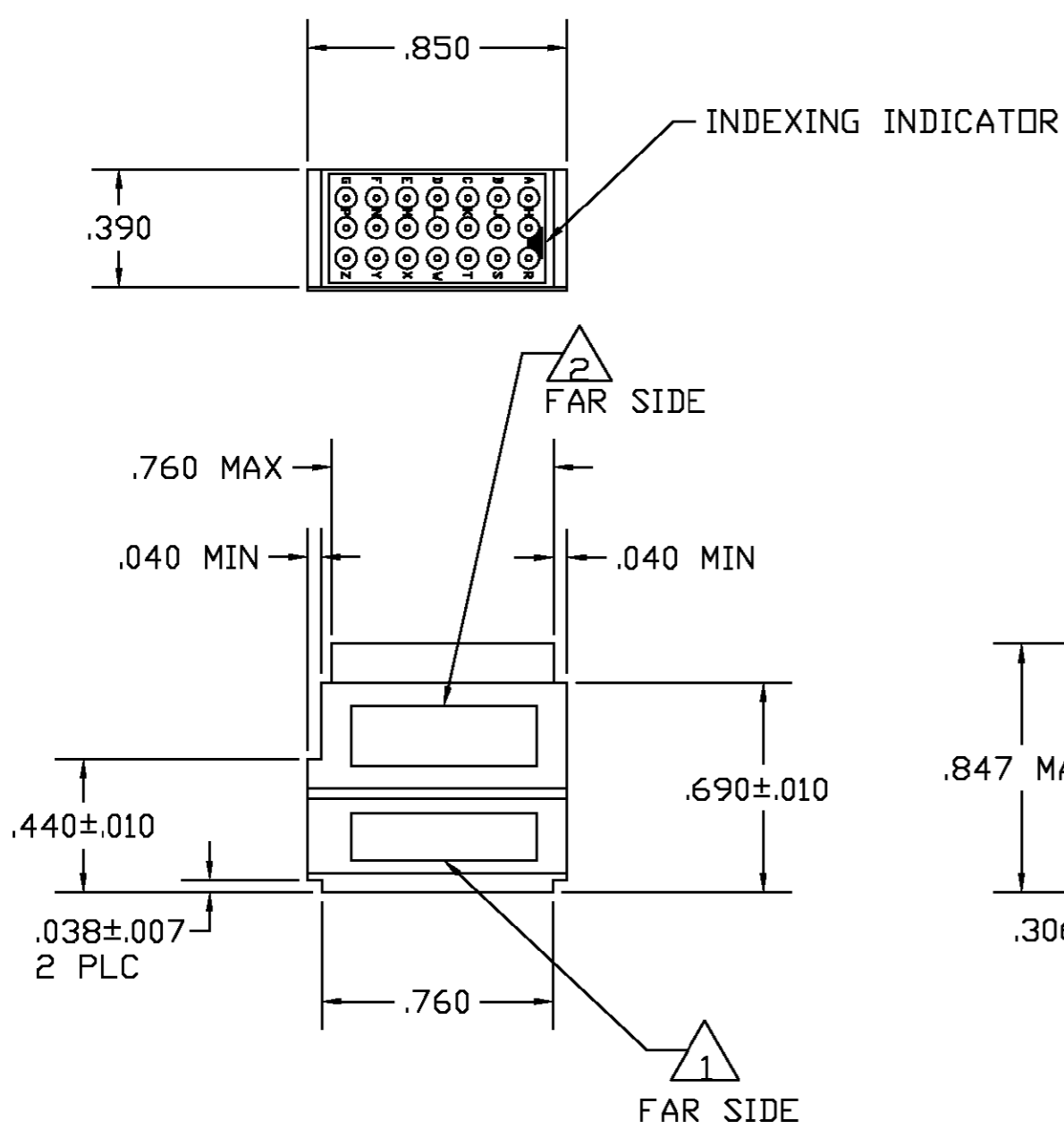


THIS DRAWING IS UNPUBLISHED. RELEASED FOR PUBLICATION .19		
COPYRIGHT 19 BY AMP INCORPORATED. ALL RIGHTS RESERVED.		
DESCRIPTION	MATERIAL	FINISH
MODULE ASSEMBLY	EPOXY	COLOR: BLACK
GROMMET	FLUORSILICONE RUBBER	COLOR: BLUE
CONTACT SOCKET	BERYLLIUM COPPER PER QQ-C-533	GOLD PLATE PER MIL-G-45204
RETAINING CLIP	BERYLLIUM COPPER PER QQ-C-533 OR STAINLESS STEEL PER QQ-S-766	NONE
CONTACTS	COPPER ALLOY PER MIL-C-39029/1	GOLD PLATE PER MIL-G-45204
SEALING PLUGS	F.E.P. PER MIL-P-19468	COLOR: BLACK

LOC		DIST		REVISIONS			
DF	AO	P	LTR	DESCRIPTION	DATE	DWN	APVD
		C		REV PER OG3D-0049-00	6-00	CT	DM



BUSSING ARRANGEMENTS Δ_3

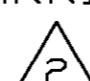
- Δ_3 BUSSING ARRANGEMENT OUTLINE DENOTES INTERNAL ARRANGEMENT OF CONTACT SOCKETS.
- Δ_2 MARK MODULE ASSEMBLY WITH CUSTOMER PART NO., MILITARY PART NO. IF REQUIRED .060 MINIMUM HIGH CHARACTERS AT APPROXIMATE AREA SHOWN.
- Δ_1 MARK MODULE ASSEMBLY WITH "AMP", AMP PART NO. AND DATE CODE .060 MINIMUM HIGH CHARACTERS AT APPROXIMATE AREA SHOWN.

THIS DRAWING IS A CONTROLLED DOCUMENT.		DWN	J. MECK	3-10-93	AMP Incorporated Harrisburg, PA 17105-3608A
DIMENSIONS INCHES		CHK	R. RYAN	3-31-93	
TOLERANCES UNLESS OTHERWISE SPECIFIED:		APVD	R. RYAN	3-31-93	
0 PLC	± -	NAME			MODULE ASSY, FEED-BACK, SIZE 21, TJ
1 PLC	± -	PRODUCT SPEC			
2 PLC	± -	APPLICATION SPEC			
3 PLC	± .005	SIZE	A2	CAGE CODE	00779
4 PLC	± -	DRAWING NO	C-592629		RESTRICTED TO
ANGLES	± -	WEIGHT			
FINISH	-	CUSTOMER DRAWING	SCALE	2:1	SHEET 1 OF 2
					REV C

THIS DRAWING IS UNPUBLISHED. RELEASED FOR PUBLICATION .19 .
 © COPYRIGHT 19 BY AMP INCORPORATED. ALL RIGHTS RESERVED.

LOC	DIST	REVISIONS					
DF	AO	P	LTR	DESCRIPTION	DATE	DWN	APVD
		-		SEE SHEET #1	-	-	-

Part No.	46	45	44	43	42	40	39	38	37	36	35	34	33	32	31	30	SEALING PLUG QTY 2	CONTACTS QTY 11	PART NO.
MRTB21D43				X													--	--	4-592629-9
MRTB21D39						X											--	--	4-592629-8
M81714/17-D30															X		X	X	4-592629-7
M81714/17-D45	X																X	X	4-592629-5
M81714/17-D36										X							X	X	4-592629-4
M81714/17-D43				X													X	X	4-592629-3
M81714/17-D42					X												X	X	4-592629-2
M81714/17-D41																			4-592629-1
-----					X														4-592629-0
-----																			3-592629-3
MRTB21D42						X													3-592629-2
MRTB21D44		X																	3-592629-1
MRTB21D37									X										3-592629-0
MRTB21D36										X									2-592629-9
MRTB21D35											X								2-592629-8
MRTB21D34												X							2-592629-7
MRTB21D32														X					2-592629-6
MRTB21D31															X				2-592629-5
MRTB21D30																X			2-592629-4
G383962-1								X									X	X	2-592629-3
-----																			2-592629-2
77A112809-2	X																X	X	2-592629-1
-----																			2-592629-0
M81714/17-D44		X															X	X	1-592629-9
-----																			1-592629-8
M81714/17-D40							X										X	X	1-592629-7
-----																			1-592629-6
M81714/17-D39								X									X	X	1-592629-5
-----																			1-592629-4
M81714/17-D38									X								X	X	1-592629-3
-----																			1-592629-2
M81714/17-D37										X							X	X	1-592629-1
-----																			1-592629-0
M81714/17-D35											X						X	X	592629-9
-----																			592629-8
M81714/17-D34												X					X	X	592629-7
-----																			592629-6
M81714/17-D33													X				X	X	592629-5
-----																			592629-4
M81714/17-D32														X			X	X	592629-3
-----																			592629-2
M81714/17-D31															X		X	X	592629-1

MARKING  BUSSING ARRANGEMENTS SEALING PLUG QTY 2 CONTACTS QTY 11 PART NO.

THIS DRAWING IS A CONTROLLED DOCUMENT. DWN J. MECK 3-10-93
 CHK R. RYAN 3-31-93
 APVD R. RYAN 3-31-93

AMP AMP Incorporated Harrisburg, PA 17105-3608A

NAME: MODULE ASSY, FEED-BACK, SIZE 21, TJ

SIZE: A2 CAGE CODE: 00779 DRAWING NO: C-592629 RESTRICTED TO: -

WEIGHT: - MATERIAL: - FINISH: -

CUSTOMER DRAWING SCALE: 2:1 SHEET: 2 OF 2 REV: C