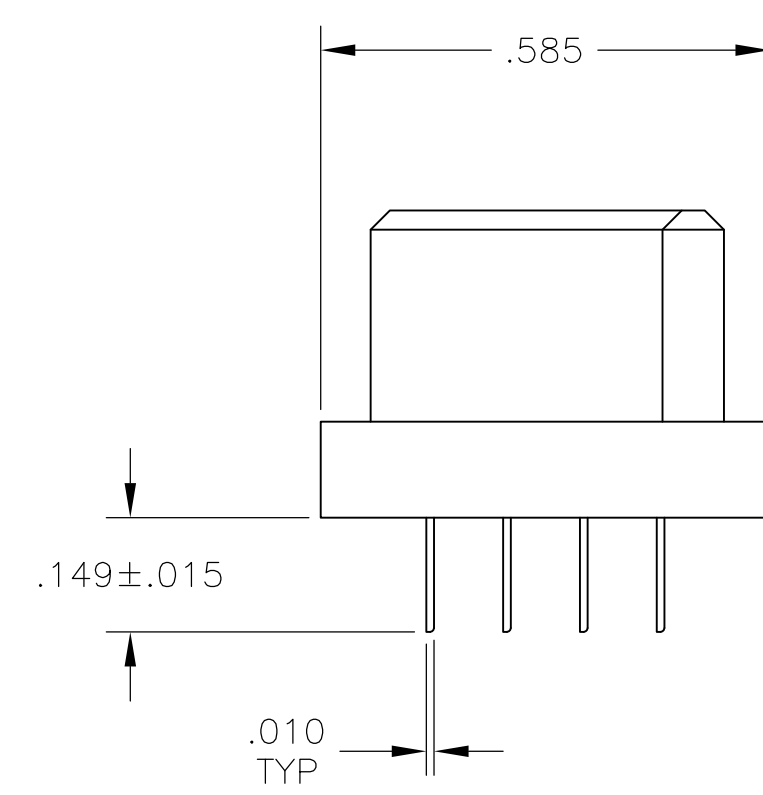
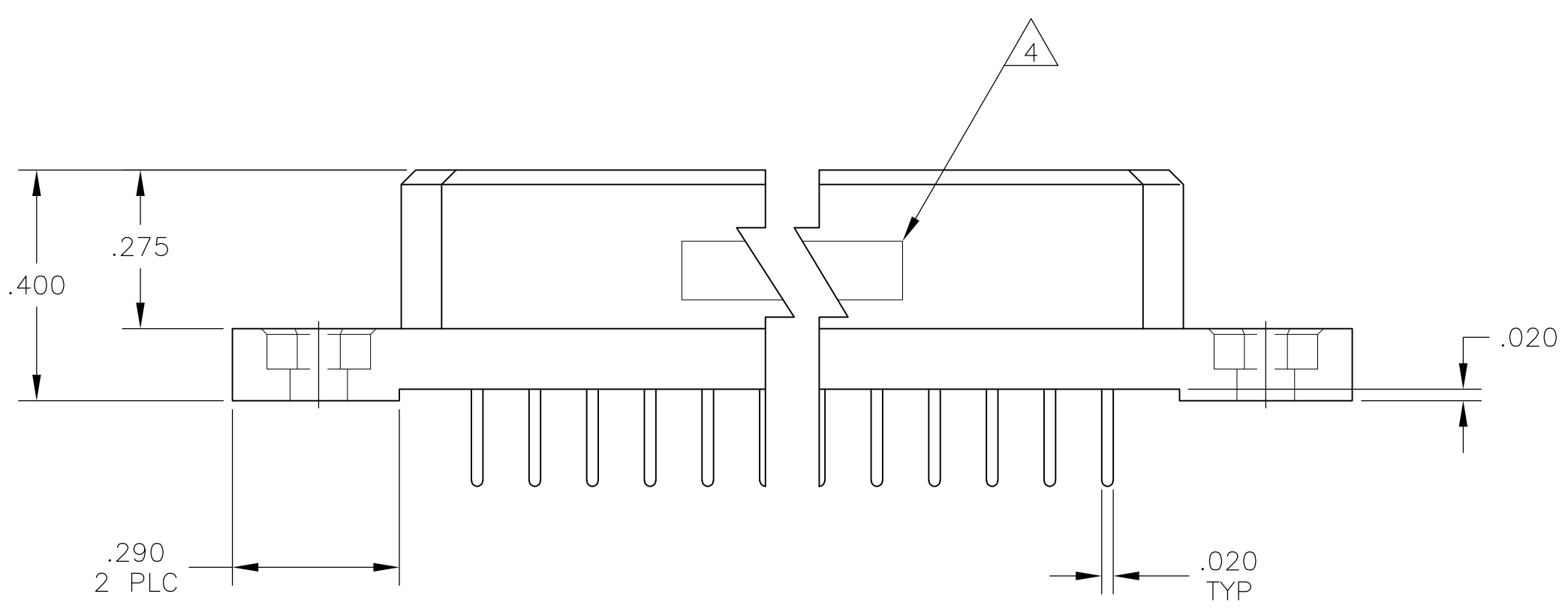
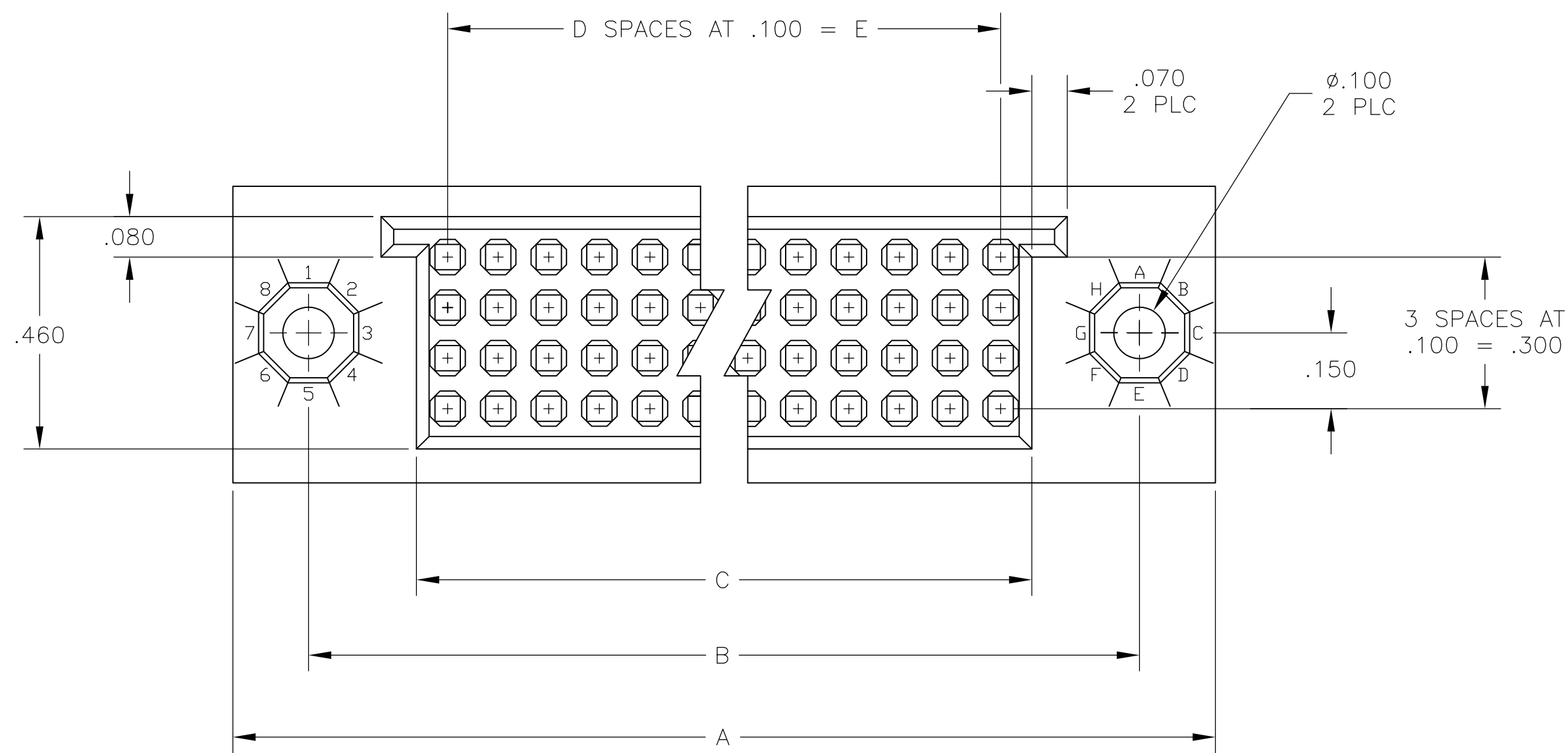


THIS DRAWING IS UNPUBLISHED. RELEASED FOR PUBLICATION - N/A .
 © COPYRIGHT N/A BY TYCO ELECTRONICS CORPORATION. ALL RIGHTS RESERVED.

LOC		DIST		REVISIONS			
P	LTR	DESCRIPTION		DATE	DWN	APVD	
	S	REV PER ECO 10-002920		6-18-10	CT	DM	



THIS DRAWING IS A CONTROLLED DOCUMENT.		DWN R. SEIFRIED 29-OCT-84	Tyco Electronics Corporation Harrisburg, Pa 17105-3608	
DIMENSIONS: INCHES		CHK L. CASTAGNA 29-OCT-84	NAME RECEPTACLE ASSEMBLY BOX II, 4-ROW W/.149 SOLDER TAILS	
TOLERANCES UNLESS OTHERWISE SPECIFIED:		APVD L. CASTAGNA 29-OCT-84	SIZE A2	CAGE CODE 00779
0 PLC ± -		PRODUCT SPEC	DRAWING NO C=533285	RESTRICTED TO
1 PLC ± -		APPLICATION SPEC	SCALE 4:1	SHEET 1 OF 2
2 PLC ± -		WEIGHT	REV S	
3 PLC ± .005				
4 PLC ± -				
ANGLES ± -				
FINISH				
MATERIAL				

533285

