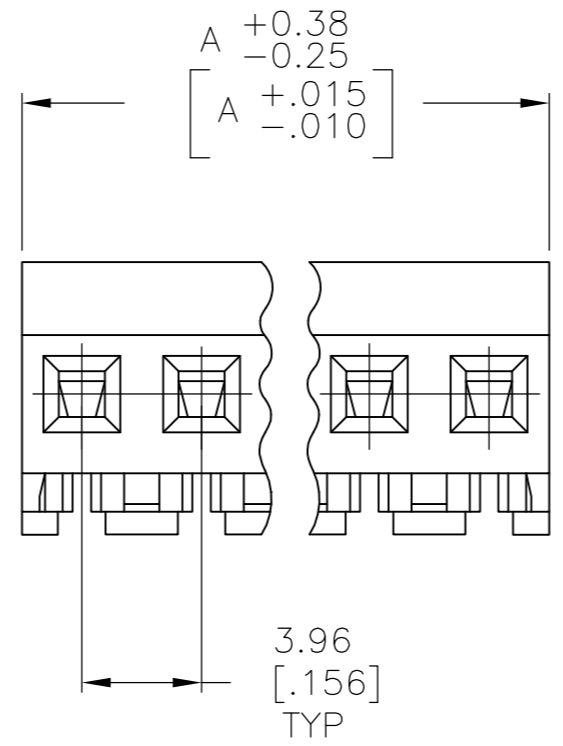
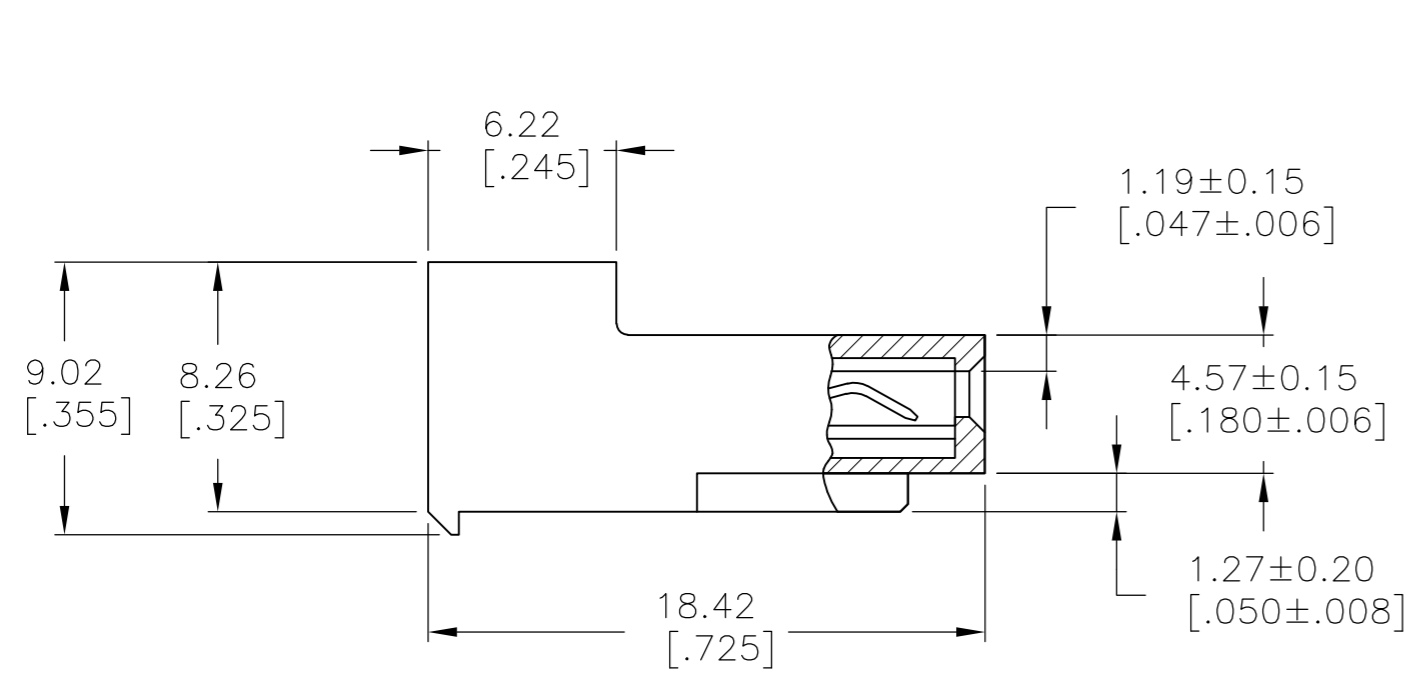
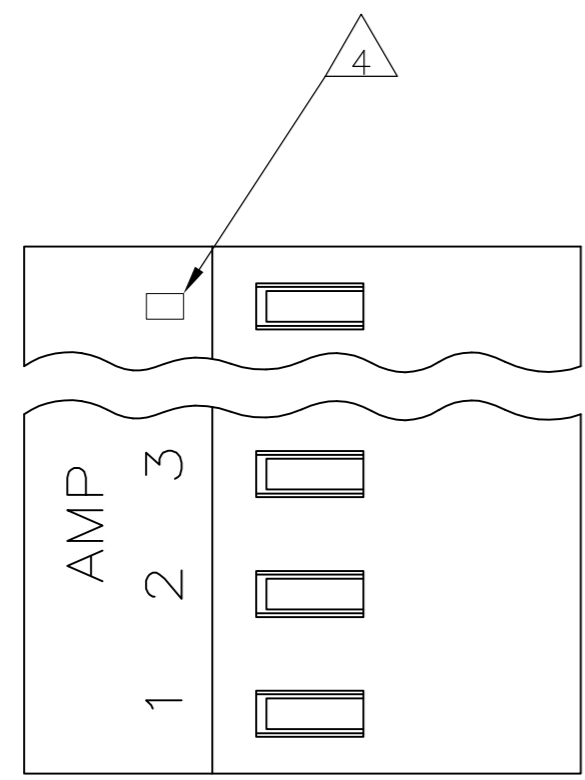


THIS DRAWING IS UNPUBLISHED. RELEASED FOR PUBLICATION  
 © COPYRIGHT BY TYCO ELECTRONICS CORPORATION. ALL RIGHTS RESERVED.

LOC	DIST	REVISIONS					
CM	00	P	LTR	DESCRIPTION	DATE	DWN	APVD
		K		ECO-07-012876	15JUN07	KW	DB
		K1		REVISED PER ECO-09-022908	08OCT09	KK	AEG



7  
SUPERCEDED

7  
SUPERCEDED

95.10 [3.744]	24	5-641226-4
91.14 [3.588]	23	5-641226-3
87.17 [3.432]	22	5-641226-2
83.21 [3.276]	21	5-641226-1
79.25 [3.120]	20	5-641226-0
75.29 [2.964]	19	4-641226-9
71.32 [2.808]	18	4-641226-8
67.36 [2.652]	17	4-641226-7
63.40 [2.496]	16	4-641226-6
59.44 [2.340]	15	4-641226-5
55.47 [2.184]	14	4-641226-4
51.51 [2.028]	13	4-641226-3
47.55 [1.872]	12	4-641226-2
43.59 [1.716]	11	4-641226-1
39.62 [1.560]	10	4-641226-0
35.66 [1.404]	9	3-641226-9
31.70 [1.248]	8	3-641226-8
27.74 [1.092]	7	3-641226-7
23.77 [.936]	6	3-641226-6
19.81 [.780]	5	3-641226-5
15.85 [.624]	4	3-641226-4
11.89 [.468]	3	3-641226-3
7.92 [.312]	2	3-641226-2
95.10 [3.744]	24	2-641226-4
91.14 [3.588]	23	2-641226-3
87.17 [3.432]	22	2-641226-2
83.21 [3.276]	21	2-641226-1
79.25 [3.120]	20	2-641226-0
75.29 [2.964]	19	1-641226-9
71.32 [2.808]	18	1-641226-8
67.36 [2.652]	17	1-641226-7
63.40 [2.496]	16	1-641226-6
59.44 [2.340]	15	1-641226-5
55.47 [2.184]	14	1-641226-4
51.51 [2.028]	13	1-641226-3
47.55 [1.872]	12	1-641226-2
43.59 [1.716]	11	1-641226-1
39.62 [1.560]	10	1-641226-0
35.66 [1.404]	9	641226-9
31.70 [1.248]	8	641226-8
27.74 [1.092]	7	641226-7
23.77 [.936]	6	641226-6
19.81 [.780]	5	641226-5
15.85 [.624]	4	641226-4
11.89 [.468]	3	641226-3
7.92 [.312]	2	641226-2

- 1 MATERIAL: CONNECTOR - NYLON UL94V-2 (BLUE).  
CONTACTS - 0.30[.012] THICK COPPER ALLOY  
0.00076 [.000030] GOLD IN CONTACT  
AREA WITH BRIGHT TIN-LEAD FOR  
641226-2 THRU 2-641226-4,  
MATTE WHISKER MITIGATED TIN FOR  
3-641226-2 THRU 5-641226-4 OVER  
NICKEL UNDERPLATE
- 2. CONTACTS ACCEPT 26 AWG WIRE WITH 2.41[.095] MAX  
INSULATION DIAMETER.
- 3. CONTACTS MUST ACCEPT 1.14±0.03 [.045±.001] SQUARE  
POST AND REMAIN LOCKED IN POSITION.
- 4 IDENTIFICATION NUMBER FOR LAST CIRCUIT MAY  
NOT APPEAR ON ALL ASSEMBLIES.
- 5. DIMENSIONS IN BRACKETS ARE IN INCHES.
- 6. HOUSING FEATURES ARE: CLOSED END WITHOUT  
LOCKING RAMP.
- 7 OBSOLETE PARTS: OBSOLETE CIS STREAMLINING PER D.RENAUD/D.SINISI

METRIC

THIS DRAWING IS A CONTROLLED DOCUMENT.		DWN B. LEWIS 12 FEB 91	Tyco Electronics Corporation Harrisburg, Pa 17105-3608	
DIMENSIONS: mm [INCHES]		CHK R. SWING 12 FEB 91	NAME MTA-156 CONNECTOR ASSEMBLY, 26 AWG, STANDARD	
TOLERANCES UNLESS OTHERWISE SPECIFIED:		APVD D. CLARK 20 FEB 91	PRODUCT SPEC 108-1051	
0 PLC ± -		APPLICATION SPEC 114-1020		
1 PLC ± -		WEIGHT -		
2 PLC ± -		SIZE A2		
3 PLC ± 0.13 [.005]		CAGE CODE 00779		
4 PLC ± -		DRAWING NO C-641226		
ANGLES ± -		RESTRICTED TO -		
FINISH 1		SCALE 4:1 SHEET 1 OF 1 REV K1		
MATERIAL 1		CUSTOMER DRAWING		