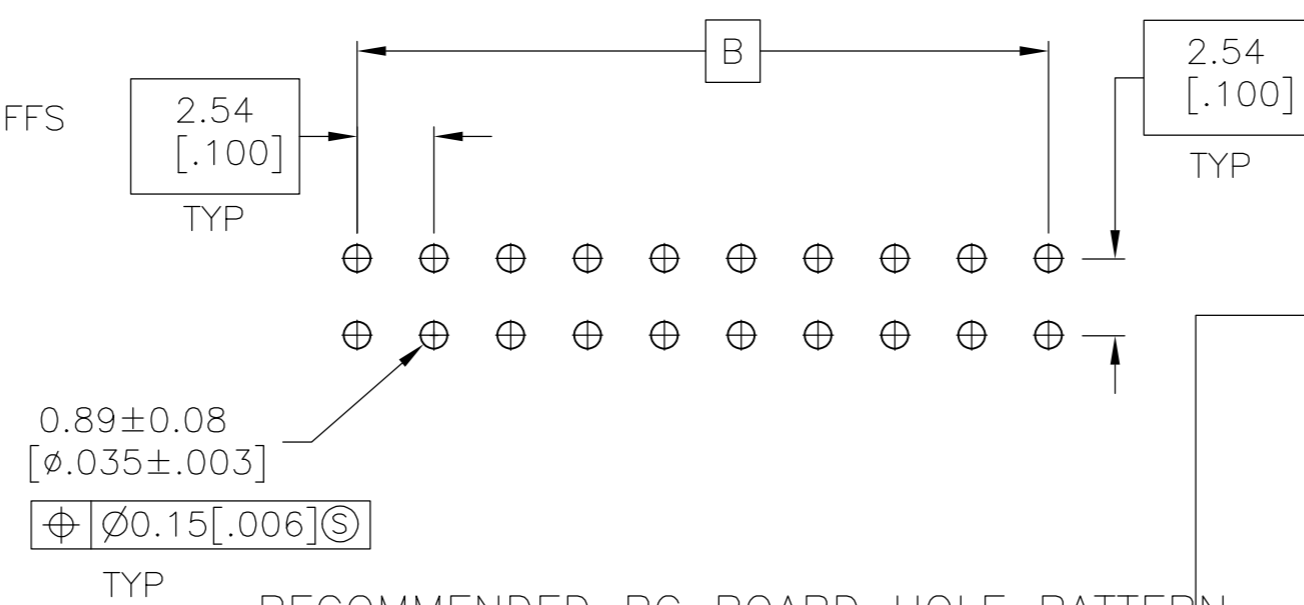
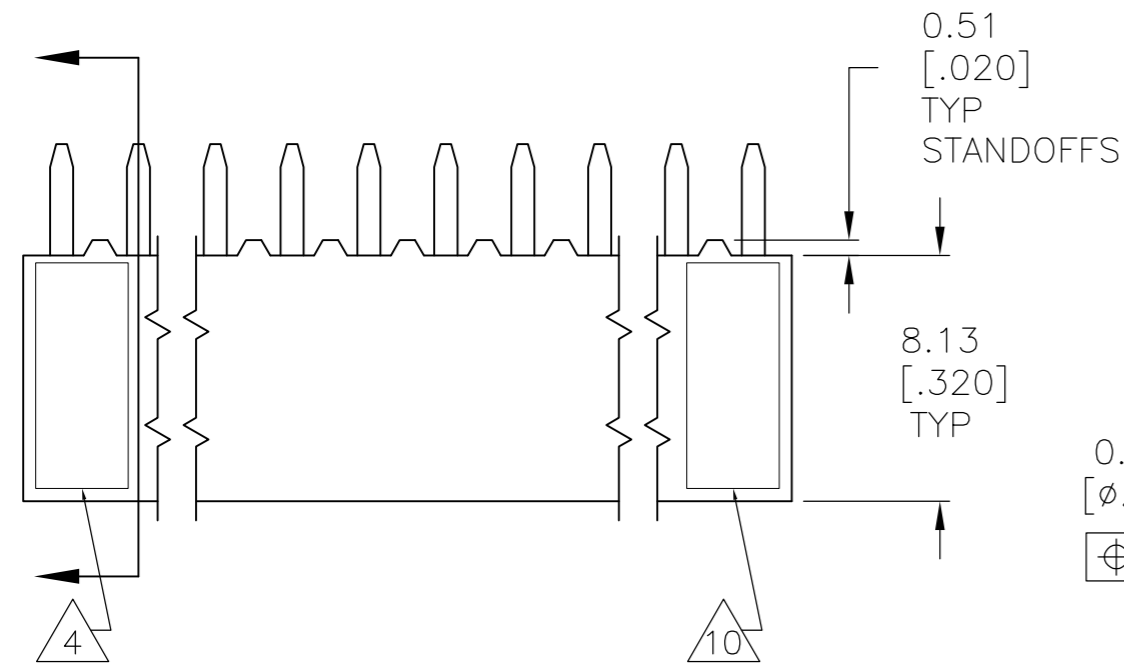
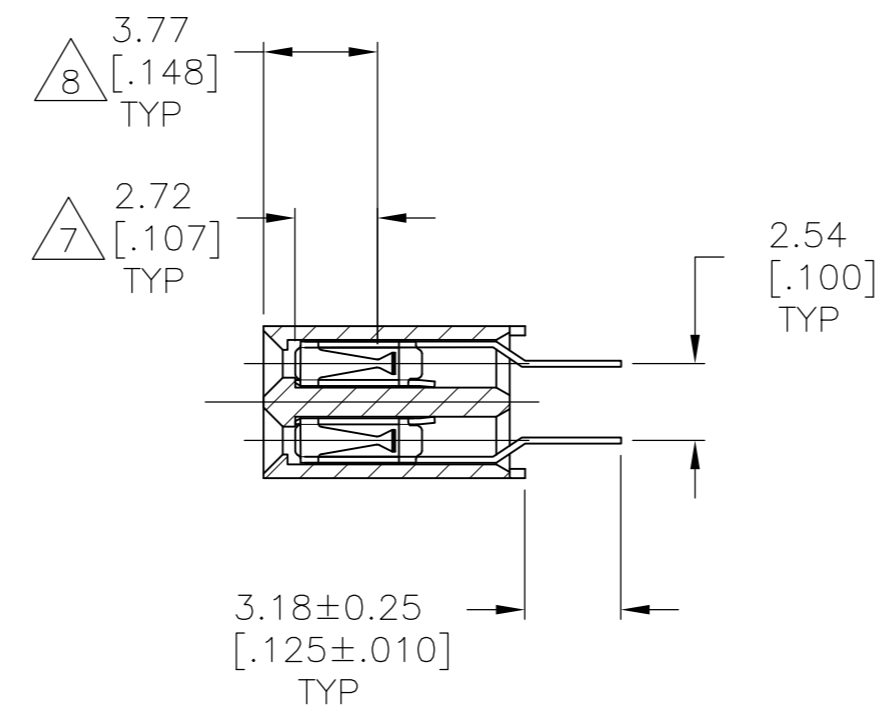
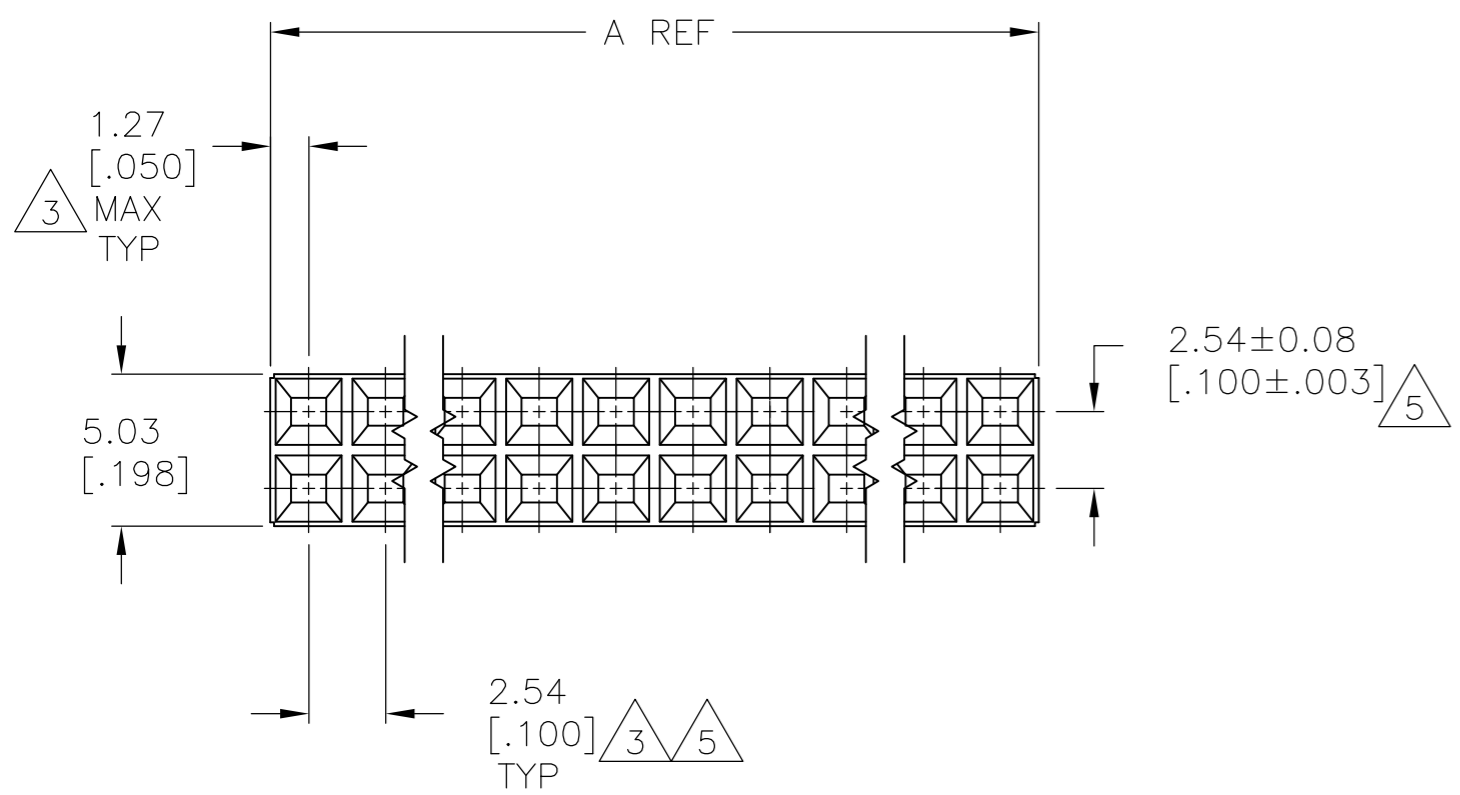


THIS DRAWING IS UNPUBLISHED. RELEASED FOR PUBLICATION
 © COPYRIGHT BY TYCO ELECTRONICS CORPORATION. ALL INTERNATIONAL RIGHTS RESERVED.

LOC	DIST	REVISIONS					
AD	00	P	LTR	DESCRIPTION	DATE	DWN	APVD
		J1		REVISED PER ECO-08-019092	05AUG08	HMR	JO
		J2		REVISED PER ECO-09-020689	27AUG09	KK	AEG



RECOMMENDED PC BOARD HOLE PATTERN
 PC BOARD THICKNESS 1.57[.062]



FINISH	B	A	NO OF POSN	PART NUMBER
13	2	99.06[3.900]	101.60[4.000]	80 4-146762-0
13	2	96.52[3.800]	99.06[3.900]	78 3-146762-9
13	2	93.98[3.700]	96.52[3.800]	76 3-146762-8
13	2	91.44[3.600]	93.98[3.700]	74 3-146762-7
13	2	88.90[3.500]	91.44[3.600]	72 3-146762-6
13	2	86.36[3.400]	88.90[3.500]	70 3-146762-5
13	2	83.82[3.300]	86.36[3.400]	68 3-146762-4
13	2	81.28[3.200]	83.82[3.300]	66 3-146762-3
13	2	76.20[3.000]	78.74[3.100]	62 3-146762-2
13	2	73.66[2.900]	76.20[3.000]	60 3-146762-1
13	2	71.12[2.800]	73.66[2.900]	58 3-146762-0
13	2	68.58[2.700]	71.12[2.800]	56 2-146762-9
13	2	66.04[2.600]	68.58[2.700]	54 2-146762-8
13	2	63.50[2.500]	66.04[2.600]	52 2-146762-7
13	2	60.96[2.400]	63.50[2.500]	50 2-146762-6
13	2	58.42[2.300]	60.96[2.400]	48 2-146762-5
13	2	55.88[2.200]	58.42[2.300]	46 2-146762-4
13	2	53.34[2.100]	55.88[2.200]	44 2-146762-3
13	2	50.80[2.000]	53.34[2.100]	42 2-146762-2
13	2	45.72[1.800]	48.26[1.900]	38 2-146762-1
13	2	43.18[1.700]	45.72[1.800]	36 2-146762-0
13	2	40.64[1.600]	43.18[1.700]	34 1-146762-9
13	2	38.10[1.500]	40.64[1.600]	32 1-146762-8
13	2	33.02[1.300]	35.56[1.400]	28 1-146762-7
13	2	30.48[1.200]	33.02[1.300]	26 1-146762-6
13	2	27.94[1.100]	30.48[1.200]	24 1-146762-5
13	2	25.40[1.000]	27.94[1.100]	22 1-146762-4
13	2	17.78[.700]	20.32[.800]	16 1-146762-3
13	2	15.24[.600]	17.78[.700]	14 1-146762-2
13	2	12.70[.500]	15.24[.600]	12 1-146762-1
13	2	5.08[.200]	7.62[.300]	6 1-146762-0
9	2	2.54[.100]	5.08[.200]	4 146762-9
9	2	-	2.54[.100]	2 6 146762-8
13	2	22.86[.900]	25.40[1.000]	20 146762-7
13	2	78.74[3.100]	81.28[3.200]	64 146762-6
13	2	48.26[1.900]	50.80[2.000]	40 146762-5
13	2	35.56[1.400]	38.10[1.500]	30 146762-4
13	2	20.32[.800]	22.86[.900]	18 146762-3
9	2	10.16[.400]	12.70[.500]	10 146762-2
9	2	7.62[.300]	10.16[.400]	8 146762-1

- 1 HOUSING: FLAME RETARDANT, GLASS FILLED, POLYESTER, COLOR: BLACK. CONTACT: PHOSPHOR BRONZE
- 2 CONTACT: 3.81-7.62MICROMETERS(.000150-.000300) BRIGHT TIN-LEAD OVER 1.27µm[.000050] MINIMUM NICKEL
- 3 THESE DIMENSIONS PERTAIN TO CAVIITY CENTERLINES ONLY - NOT TO CONTACT LOCATIONS
- 4 PART NUMBER AND DATE CODE ARE MARKED IN APPROXIMATE LOCATION SHOWN.
- 5 TOLERANCE IS NON-CUMULATIVE.
- 6 2 POSITION DATE CODE IS MARKED OPPOSITE SIDE OF TE LOGO.
- 7 POINT-OF-MEASUREMENT DIMENSION FOR PLATING THICKNESS (INSIDE CONTACT BEAM).
- 8 POINT-OF-CONTACT DIMENSION.
- 9 NO PART NUMBER MARKING REQUIRED FOR THIS PART.
- 10 TE LOGO AND CSA LOGO ARE MOLDED INTO HOUSING.
- 11 CONTACT: 3.81-7.62 MICROMETERS (.000150-.000300) MATTE TIN OVER 1.27 MICROMETERS (.000050) MINIMUM NICKEL
- 12 ROHS 2002 /95/EC COMPLIANT

THIS DRAWING IS A CONTROLLED DOCUMENT.

DWN M.BINNER 06NOV2002
 CHK J.OLSON 06NOV02
 APVD J.OLSON 06NOV02

Tyco Electronics Corporation
 Harrisburg, Pa 17105-3608

NAME RECEPTACLE ASSEMBLY, MOD IV, DOUBLE ROW, TOP ENTRY, .100X.100CL, VERTICAL MOUNT, AMPMODU

SIZE A2 CAGE CODE 00779 DRAWING NO C=146762 RESTRICTED TO -

SCALE 4:1 SHEET 1 of 2 REV J2

MATERIAL 1 FINISH 2 11

CUSTOMER DRAWING

THIS DRAWING IS UNPUBLISHED. RELEASED FOR PUBLICATION
 © COPYRIGHT BY TYCO ELECTRONICS CORPORATION. ALL INTERNATIONAL RIGHTS RESERVED.

LOC	DIST	REVISIONS			
P	LTR	DESCRIPTION	DATE	DWN	APVD
-	-	SEE SHEET I	-	-	-

13 OBSOLETE PARTS: OBSOLETE CIS STREAMLINING PER D.RENAUD/D.SINISI

FINISH	B	A	NO OF POSN	PART NUMBER
13			80	12 9-146762-0
13			78	12 8-146762-9
13			76	12 8-146762-8
13			74	12 8-146762-7
13			72	12 8-146762-6
13			70	12 8-146762-5
13			68	12 8-146762-4
13			66	12 8-146762-3
13			62	12 8-146762-2
13			60	12 8-146762-1
13			58	12 8-146762-0
13			56	12 7-146762-9
13			54	12 7-146762-8
13			52	12 7-146762-7
13			50	12 7-146762-6
13			48	12 7-146762-5
13			46	12 7-146762-4
13			44	12 7-146762-3
13			42	12 7-146762-2
13			38	12 7-146762-1
13			36	12 7-146762-0
13			34	12 6-146762-9
13			32	12 6-146762-8
13			28	12 6-146762-7
13			26	12 6-146762-6
13			24	12 6-146762-5
13			22	12 6-146762-4
13			16	12 6-146762-3
13			14	12 6-146762-2
13			12	12 6-146762-1
9			6	12 6-146762-0
9			4	12 5-146762-9
9			2	12 6 5-146762-8
13			20	12 5-146762-7
13			64	12 5-146762-6
13			40	12 5-146762-5
13			30	12 5-146762-4
13			18	12 5-146762-3
9			10	12 5-146762-2
9			8	12 5-146762-1

146762

THIS DRAWING IS A CONTROLLED DOCUMENT.		DWN M.BINNER 06NOV2002	Tyco Electronics Corporation Harrisburg, Pa 17105-3608	
DIMENSIONS: mm [INCHES]		CHK J.OLSON 06NOV02	NAME RECEPTACLE ASSEMBLY, MOD IV, DOUBLE ROW, TOP ENTRY, .100X.100CL, VERTICAL MOUNT, AMPMODU	
TOLERANCES UNLESS OTHERWISE SPECIFIED: 0 PLC ± - 1 PLC ± - 2 PLC ± 0.13[.005] 3 PLC ± - 4 PLC ± - ANGLES ± -		APVD J.OLSON 06NOV02	PRODUCT SPEC 108-25022	
MATERIAL 1		APPLICATION SPEC 114-25018	SIZE A2	CAGE CODE 00779
FINISH 2 11		WEIGHT -	DRAWING NO C=146762	RESTRICTED TO -
CUSTOMER DRAWING			SCALE 1:1	SHEET 2 OF 2
			REV J2	