

THIS DRAWING IS UNPUBLISHED. RELEASED FOR PUBLICATION 20
 © COPYRIGHT 20 BY TYCO ELECTRONICS CORPORATION. ALL RIGHTS RESERVED.

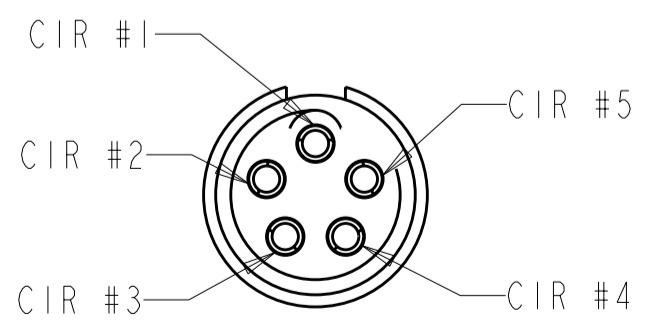
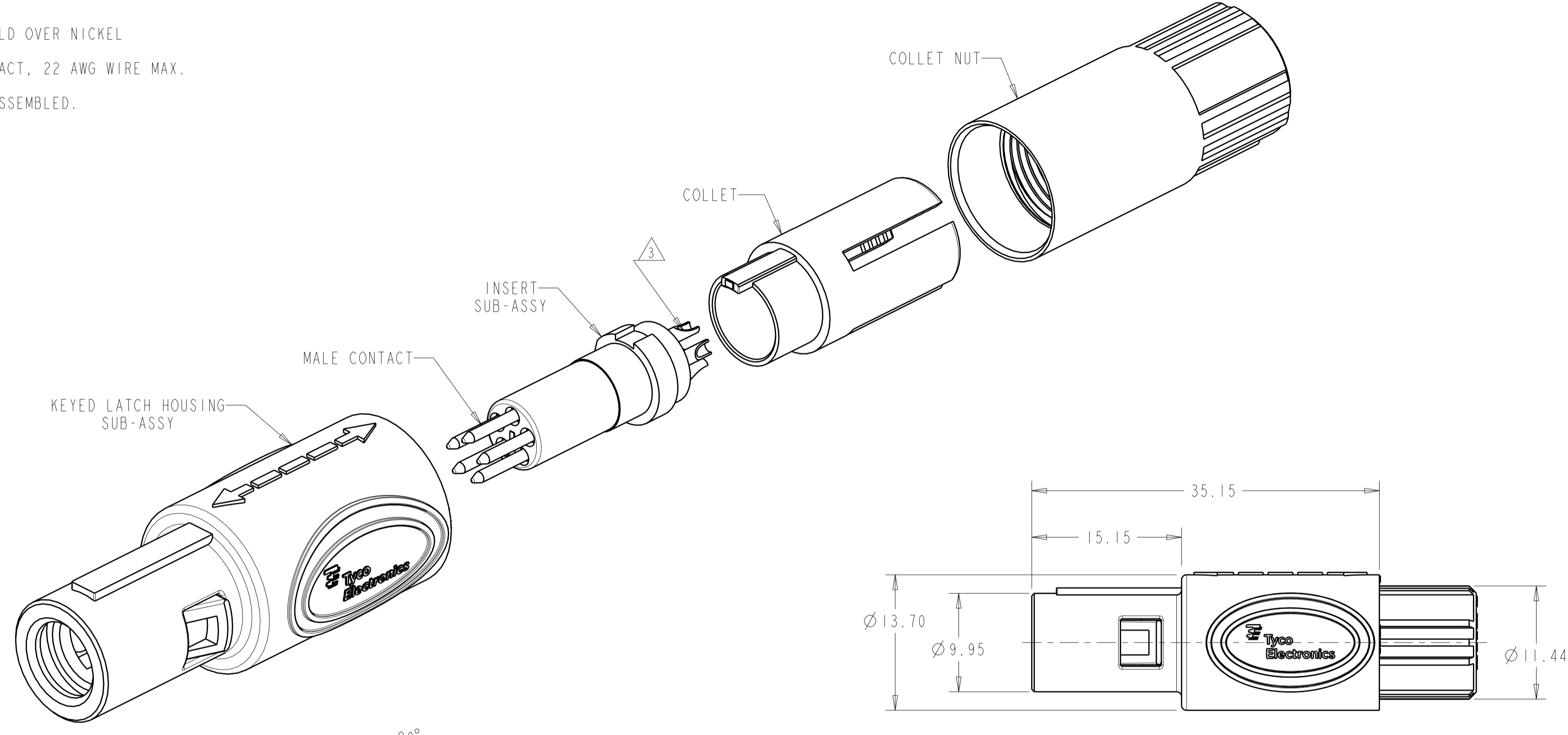
LOC	DIST	REVISIONS			
P	LTR	DESCRIPTION	DATE	DWN	APVD
	A	ECO-07-010931	14MAY2007	RB	DR
	B	ECO-07-018972	15AUG2007	RB	DR
	B1	REVISED PER ECO-08-011256	09MAY2008	SS	DR
	B2	REVISED PER ECO-09-008097	06APR2009	MF	DR

1 MATERIAL:
 CONTACT: BRASS
 LATCH HOUSING, INSERT, COLLET, COLLET NUT:
 UL 94V-0 RATED THERMOPLASTIC
 COLOR:
 COLLET AND INSERT: GRAY
 LATCH HOUSING AND NUT: SEE TABLE

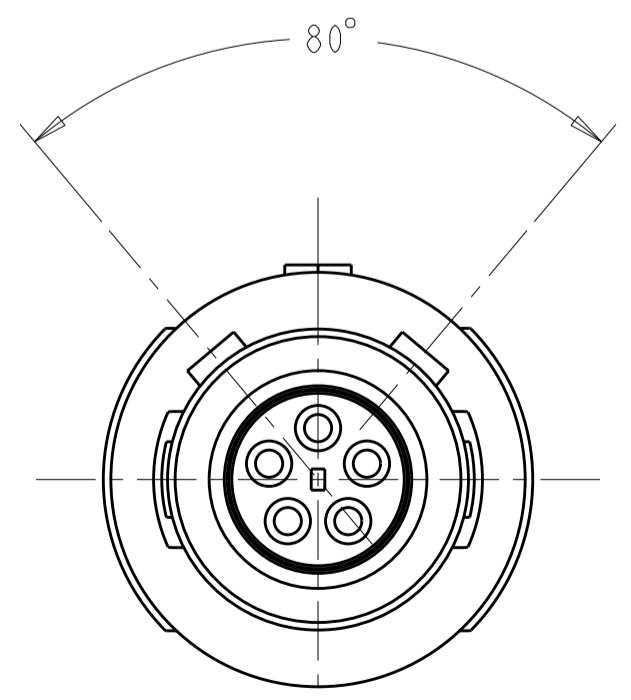
2 FINISH:
 CONTACT, 0.75µm MIN. GOLD OVER NICKEL

3 SOLDER TERMINATION CONTACT, 22 AWG WIRE MAX.

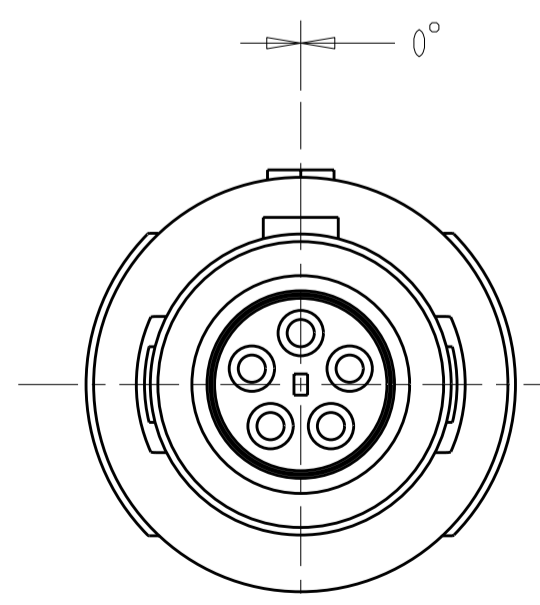
4. PRODUCT IS SUPPLIED UNASSEMBLED.



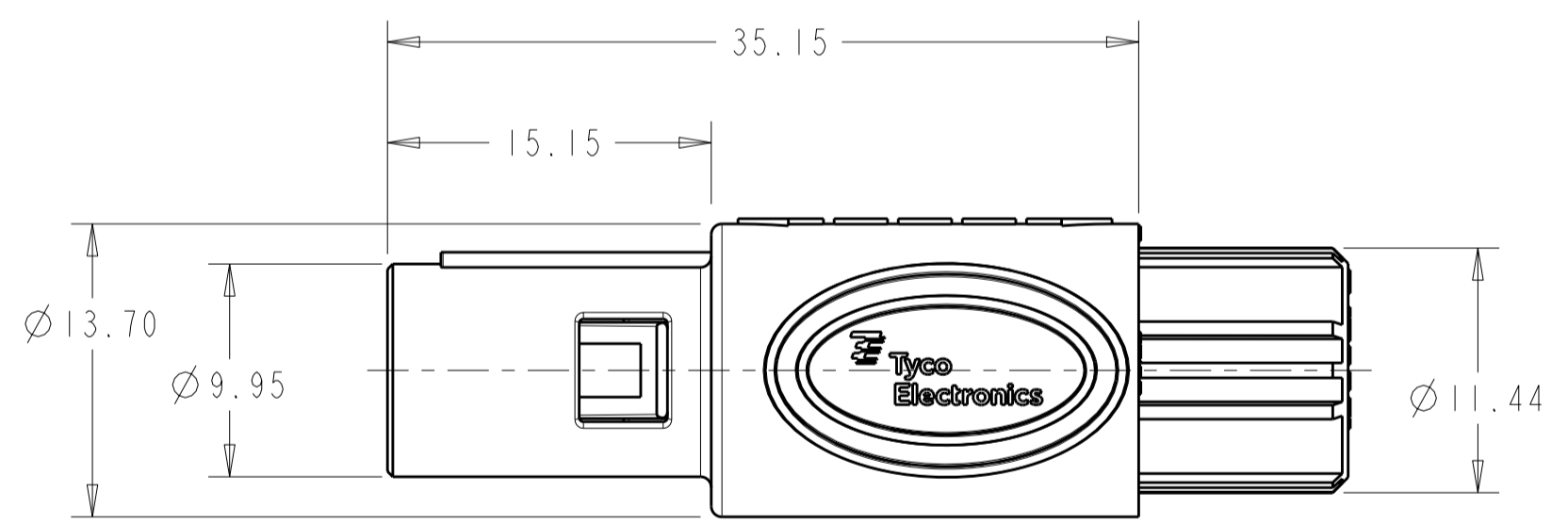
INSERT SUB-ASSY
 CIRCUIT DESIGNATION VIEW



80° KEYING
 SCALE 4:1



0° KEYING
 SCALE 4:1



SCALE 3:1

SEE SHEET 2 FOR
 PART NUMBER SELECTION
 PART NUMBER

THIS DRAWING IS A CONTROLLED DOCUMENT FOR TYCO ELECTRONICS CORPORATION IT IS SUBJECT TO CHANGE AND THE CONTROLLING ENGINEERING ORGANIZATION SHOULD BE CONTACTED FOR THE LATEST REVISION.		DWN K. MILLER 09MAR2006	Tyco Electronics Harrisburg, PA 17105-3608	
DIMENSIONS: mm		CHK L. BREKOSKY 09MAR2006	NAME 5 POSITION, CABLE COLLET STRAIGHT PLUG ASSEMBLY 0 AND 80 DEGREE KEYING	
TOLERANCES UNLESS OTHERWISE SPECIFIED: 0 PLC ±- 1 PLC ±0.13 2 PLC ±0.08 3 PLC ±- 4 PLC ±- ANGLES ±1° FINISH		APVD -	PRODUCT SPEC 108-2249	RESTRICTED TO -
MATERIAL 1 -		APPLICATION SPEC 114-13184	SIZE A2	CAGE CODE 00779
1 -		WEIGHT -	DRAWING NO 1877845	REV B2
2 -		CUSTOMER DRAWING		SCALE 4:1 SHEET 1 OF 3

THIS DRAWING IS UNPUBLISHED. RELEASED FOR PUBLICATION 20
 © COPYRIGHT 20 BY TYCO ELECTRONICS CORPORATION. ALL RIGHTS RESERVED.

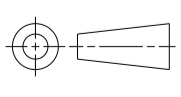


LOC	DIST	REVISIONS					
AD	00	P	LTR	DESCRIPTION	DATE	DWN	APVD
		-		SEE SHEET 1			

∅ 2.7-∅ 3.9	BLUE	GRAY	80°	7-1877845-2
∅ 4.0-∅ 5.2	BLUE	GRAY	80°	7-1877845-1
∅ 5.3-∅ 6.5	BLUE	GRAY	80°	7-1877845-0
∅ 2.7-∅ 3.9	BLUE	GRAY	0°	6-1877845-9
∅ 4.0-∅ 5.2	BLUE	GRAY	0°	6-1877845-8
∅ 5.3-∅ 6.5	BLUE	GRAY	0°	6-1877845-7
∅ 2.7-∅ 3.9	BLUE	BLACK	80°	6-1877845-6
∅ 4.0-∅ 5.2	BLUE	BLACK	80°	6-1877845-5
∅ 5.3-∅ 6.5	BLUE	BLACK	80°	6-1877845-4
∅ 2.7-∅ 3.9	BLUE	BLACK	0°	6-1877845-3
∅ 4.0-∅ 5.2	BLUE	BLACK	0°	6-1877845-2
∅ 5.3-∅ 6.5	BLUE	BLACK	0°	6-1877845-1
∅ 2.7-∅ 3.9	GREEN	GRAY	80°	6-1877845-0
∅ 4.0-∅ 5.2	GREEN	GRAY	80°	5-1877845-9
∅ 5.3-∅ 6.5	GREEN	GRAY	80°	5-1877845-8
∅ 2.7-∅ 3.9	GREEN	GRAY	0°	5-1877845-7
∅ 4.0-∅ 5.2	GREEN	GRAY	0°	5-1877845-6
∅ 5.3-∅ 6.5	GREEN	GRAY	0°	5-1877845-5
∅ 2.7-∅ 3.9	GREEN	BLACK	80°	5-1877845-4
∅ 4.0-∅ 5.2	GREEN	BLACK	80°	5-1877845-3
∅ 5.3-∅ 6.5	GREEN	BLACK	80°	5-1877845-2
∅ 2.7-∅ 3.9	GREEN	BLACK	0°	5-1877845-1
∅ 4.0-∅ 5.2	GREEN	BLACK	0°	5-1877845-0
∅ 5.3-∅ 6.5	GREEN	BLACK	0°	4-1877845-9
∅ 2.7-∅ 3.9	YELLOW	GRAY	80°	4-1877845-8
∅ 4.0-∅ 5.2	YELLOW	GRAY	80°	4-1877845-7
∅ 5.3-∅ 6.5	YELLOW	GRAY	80°	4-1877845-6
∅ 2.7-∅ 3.9	YELLOW	GRAY	0°	4-1877845-5
∅ 4.0-∅ 5.2	YELLOW	GRAY	0°	4-1877845-4
∅ 5.3-∅ 6.5	YELLOW	GRAY	0°	4-1877845-3
∅ 2.7-∅ 3.9	YELLOW	BLACK	80°	4-1877845-2
∅ 4.0-∅ 5.2	YELLOW	BLACK	80°	4-1877845-1
∅ 5.3-∅ 6.5	YELLOW	BLACK	80°	4-1877845-0
∅ 2.7-∅ 3.9	YELLOW	BLACK	0°	3-1877845-9
∅ 4.0-∅ 5.2	YELLOW	BLACK	0°	3-1877845-8
∅ 5.3-∅ 6.5	YELLOW	BLACK	0°	3-1877845-7
CABLE RANGE	BACK-NUT COLOR	LATCH HOUSING COLOR	KEYING	PART NO.

PART NUMBERS 37 THRU 72

∅ 2.7-∅ 3.9	WHITE	GRAY	80°	3-1877845-6
∅ 4.0-∅ 5.2	WHITE	GRAY	80°	3-1877845-5
∅ 5.3-∅ 6.5	WHITE	GRAY	80°	3-1877845-4
∅ 2.7-∅ 3.9	WHITE	GRAY	0°	3-1877845-3
∅ 4.0-∅ 5.2	WHITE	GRAY	0°	3-1877845-2
∅ 5.3-∅ 6.5	WHITE	GRAY	0°	3-1877845-1
∅ 2.7-∅ 3.9	WHITE	BLACK	80°	3-1877845-0
∅ 4.0-∅ 5.2	WHITE	BLACK	80°	2-1877845-9
∅ 5.3-∅ 6.5	WHITE	BLACK	80°	2-1877845-8
∅ 2.7-∅ 3.9	WHITE	BLACK	0°	2-1877845-7
∅ 4.0-∅ 5.2	WHITE	BLACK	0°	2-1877845-6
∅ 5.3-∅ 6.5	WHITE	BLACK	0°	2-1877845-5
∅ 2.7-∅ 3.9	RED	GRAY	80°	2-1877845-4
∅ 4.0-∅ 5.2	RED	GRAY	80°	2-1877845-3
∅ 5.3-∅ 6.5	RED	GRAY	80°	2-1877845-2
∅ 2.7-∅ 3.9	RED	GRAY	0°	2-1877845-1
∅ 4.0-∅ 5.2	RED	GRAY	0°	2-1877845-0
∅ 5.3-∅ 6.5	RED	GRAY	0°	1-1877845-9
∅ 2.7-∅ 3.9	RED	BLACK	80°	1-1877845-8
∅ 4.0-∅ 5.2	RED	BLACK	80°	1-1877845-7
∅ 5.3-∅ 6.5	RED	BLACK	80°	1-1877845-6
∅ 2.7-∅ 3.9	RED	BLACK	0°	1-1877845-5
∅ 4.0-∅ 5.2	RED	BLACK	0°	1-1877845-4
∅ 5.3-∅ 6.5	RED	BLACK	0°	1-1877845-3
∅ 2.7-∅ 3.9	GRAY	GRAY	80°	1-1877845-2
∅ 4.0-∅ 5.2	GRAY	GRAY	80°	1-1877845-1
∅ 5.3-∅ 6.5	GRAY	GRAY	80°	1-1877845-0
∅ 2.7-∅ 3.9	GRAY	GRAY	0°	1877845-9
∅ 4.0-∅ 5.2	GRAY	GRAY	0°	1877845-8
∅ 5.3-∅ 6.5	GRAY	GRAY	0°	1877845-7
∅ 2.7-∅ 3.9	BLACK	BLACK	80°	1877845-6
∅ 4.0-∅ 5.2	BLACK	BLACK	80°	1877845-5
∅ 5.3-∅ 6.5	BLACK	BLACK	80°	1877845-4
∅ 2.7-∅ 3.9	BLACK	BLACK	0°	1877845-3
∅ 4.0-∅ 5.2	BLACK	BLACK	0°	1877845-2
∅ 5.3-∅ 6.5	BLACK	BLACK	0°	1877845-1
CABLE RANGE	BACK-NUT COLOR	LATCH HOUSING COLOR	KEYING	PART NO.

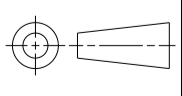
PART NUMBERS 1 THRU 36

<small>THIS DRAWING IS A CONTROLLED DOCUMENT FOR TYCO ELECTRONICS CORPORATION. IT IS SUBJECT TO CHANGE AND THE CONTROLLING ENGINEERING ORGANIZATION SHOULD BE CONTACTED FOR THE LATEST REVISION.</small>		DWN K. MILLER 09MAR2006 CHK L. BREKOSKY 09MAR2006 APVD -	Tyco Electronics Tyco Electronics Harrisburg, PA 17105-3608
DIMENSIONS: mm 	TOLERANCES UNLESS OTHERWISE SPECIFIED: 0 PLC ± 1 PLC ±0.13 2 PLC ±0.08 3 PLC ± 4 PLC ± ANGLES ±1° FINISH	PRODUCT SPEC 108-2249 APPLICATION SPEC 114-13184 WEIGHT -	NAME 5 POSITION, CABLE COLLET STRAIGHT PLUG ASSMBLY 0 AND 80 DEGREE KEYING SIZE A2 CAGE CODE 00779 DRAWING NO. C-1877845 RESTRICTED TO -
MATERIAL  - 		CUSTOMER DRAWING SCALE 4:1 SHEET 2 OF 3 REV B2	

THIS DRAWING IS UNPUBLISHED. RELEASED FOR PUBLICATION 20
 © COPYRIGHT 20 BY TYCO ELECTRONICS CORPORATION. ALL RIGHTS RESERVED.

LOC	DIST	REVISIONS					
		P	LTR	DESCRIPTION	DATE	DWN	APVD
AD	00	-		SEE SHEET 1	-	-	-

Ø 2.7-Ø 3.9	BLACK	GRAY	80°	8-1877845-4
Ø 4.0-Ø 5.2	BLACK	GRAY	80°	8-1877845-3
Ø 5.3-Ø 6.5	BLACK	GRAY	80°	8-1877845-2
Ø 2.7-Ø 3.9	BLACK	GRAY	0°	8-1877845-1
Ø 4.0-Ø 5.2	BLACK	GRAY	0°	8-1877845-0
Ø 5.3-Ø 6.5	BLACK	GRAY	0°	7-1877845-9
Ø 2.7-Ø 3.9	GRAY	BLACK	80°	7-1877845-8
Ø 4.0-Ø 5.2	GRAY	BLACK	80°	7-1877845-7
Ø 5.3-Ø 6.5	GRAY	BLACK	80°	7-1877845-6
Ø 2.7-Ø 3.9	GRAY	BLACK	0°	7-1877845-5
Ø 4.0-Ø 5.2	GRAY	BLACK	0°	7-1877845-4
Ø 5.3-Ø 6.5	GRAY	BLACK	0°	7-1877845-3
CABLE RANGE	BACK-NUT COLOR	LATCH HOUSING COLOR	KEYING	PART NO.
PART NUMBERS 73 THRU 84				

<small>THIS DRAWING IS A CONTROLLED DOCUMENT FOR TYCO ELECTRONICS CORPORATION. IT IS SUBJECT TO CHANGE AND THE CONTROLLING ENGINEERING ORGANIZATION SHOULD BE CONTACTED FOR THE LATEST REVISION.</small>		DWN K. MILLER 09MAR2006 CHK L. BREKOSKY 09MAR2006 APVD -	Tyco Electronics Tyco Electronics Harrisburg, PA 17105-3608
DIMENSIONS: mm 	TOLERANCES UNLESS OTHERWISE SPECIFIED: 0 PLC ± 1 PLC ±0.13 2 PLC ±0.08 3 PLC ± 4 PLC ± ANGLES ±1° FINISH	PRODUCT SPEC 108-2249 APPLICATION SPEC 114-13184 WEIGHT -	NAME 5 POSITION, CABLE COLLET STRAIGHT PLUG ASSEMBLY 0 AND 80 DEGREE KEYING SIZE A2 CAGE CODE 00779 DRAWING NO 1877845 RESTRICTED TO -
MATERIAL		CUSTOMER DRAWING	SCALE 4:1 SHEET 3 OF 3 REV B2