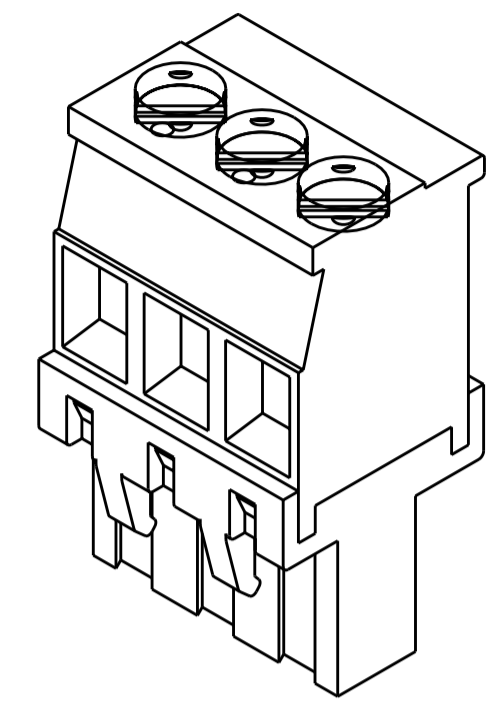
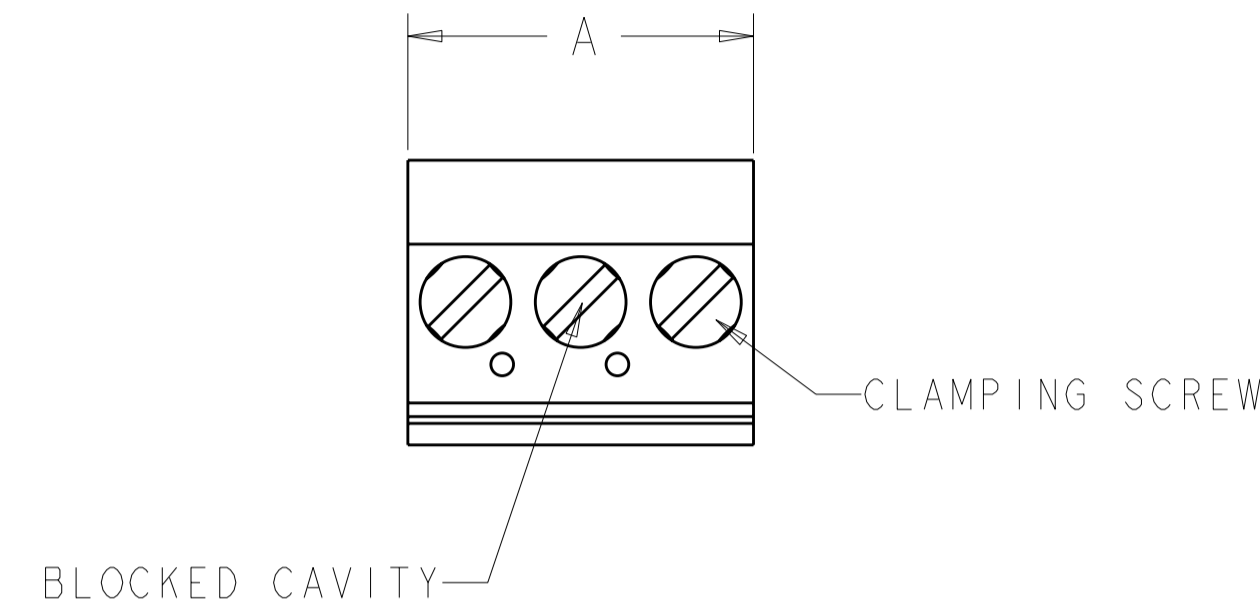


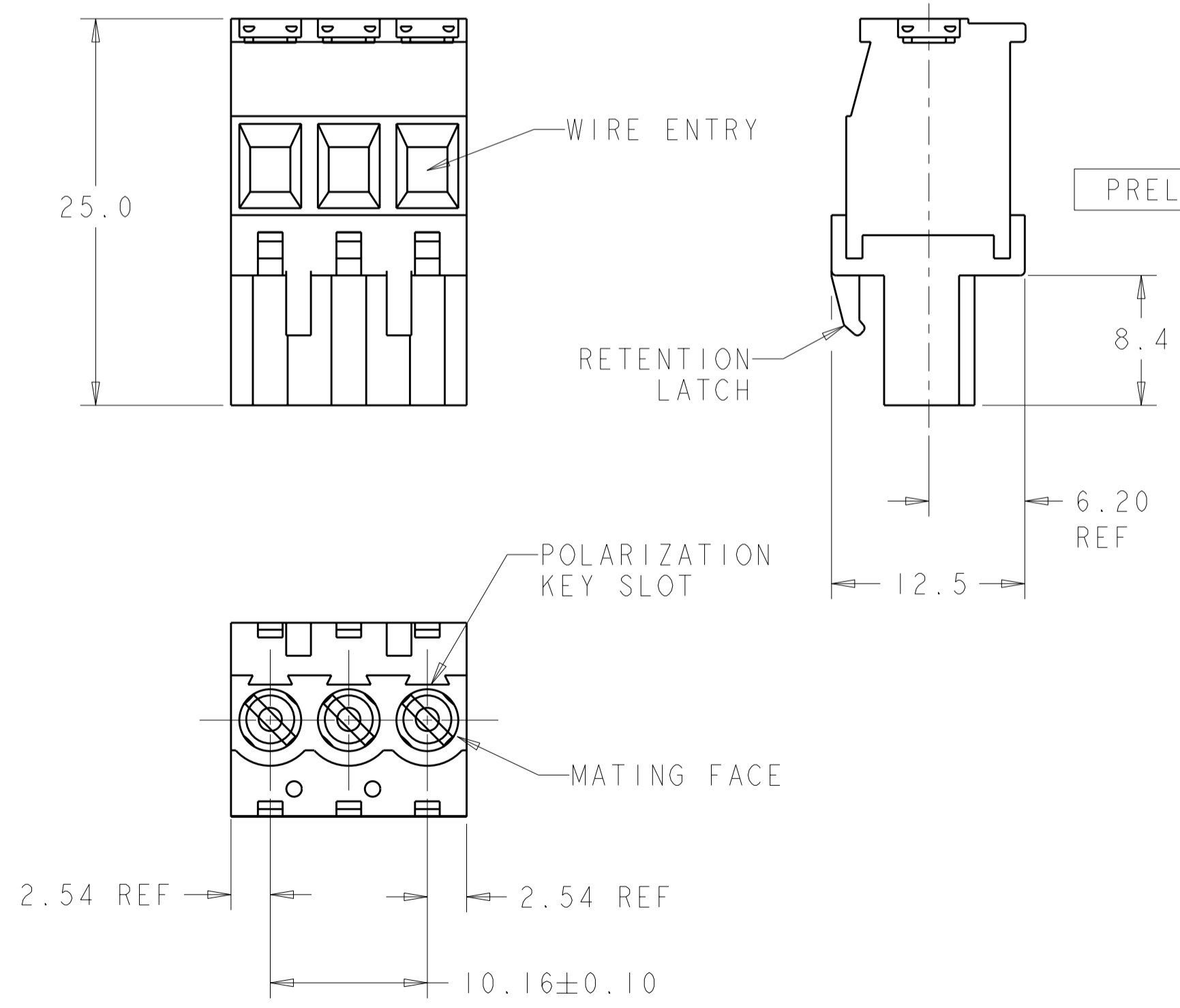
THIS DRAWING IS UNPUBLISHED. RELEASED FOR PUBLICATION 20
 © COPYRIGHT 20 BY TYCO ELECTRONICS CORPORATION. ALL RIGHTS RESERVED.

| LOC | | DIST | | REVISIONS | | | |
|-----|-----|---------------------------|-----------|-----------|------|--|--|
| P | LTR | DESCRIPTION | DATE | DWN | APVD | | |
| | CI | REVISED ECO-05-010884 | 16NOV2005 | SW | CR | | |
| | D | REVISED PER ECO-07-007651 | 04APR2007 | SS | CR | | |



284051-2 AS SHOWN

- 1. MATERIALS AND FINISH:
 HOUSING: PA 6-6, UL 94-V0, COLOR: SEE TABLE.
 CLAMP: BRASS, NICKEL PLATED.
 CONTACT SPRING: PHOSPHOR BRONZE, FINISH: SEE TABLE.
 CLAMPING SCREW: M3, BRASS, NICKEL PLATED.
- 2. WIRE SIZE RANGE: 12-30 AWG.
- 3. NOT CUMULATIVE TOLERANCE.
- 4. INK MARKING, BLACK COLOR.
- 5. INK MARKING, WHITE COLOR.



| | | | | | |
|--------------|---------------------|---------------|--------|------------|-------------|
| SEE DETAIL T | TIN PLATED | BLACK | 35.56 | 4 | 1-284051-7 |
| SEE DETAIL T | TIN PLATED | GREEN | 35.56 | 4 | 1-284051-6 |
| SEE DETAIL S | 0.00076 SELECT GOLD | GREEN | 15.24 | 2 | 1-284051-5 |
| - | 0.00076 SELECT GOLD | GREEN | 15.24 | 2 | 1-284051-4 |
| - | TIN PLATED | GREEN | 127.00 | 13 | 1-284051-3 |
| - | TIN PLATED | GREEN | 116.84 | 12 | 1-284051-2 |
| - | TIN PLATED | GREEN | 106.68 | 11 | 1-284051-1 |
| - | TIN PLATED | GREEN | 96.52 | 10 | 1-284051-0 |
| - | TIN PLATED | GREEN | 86.36 | 9 | 284051-9 |
| - | TIN PLATED | GREEN | 76.20 | 8 | 284051-8 |
| - | TIN PLATED | GREEN | 66.04 | 7 | 284051-7 |
| - | TIN PLATED | GREEN | 55.88 | 6 | 284051-6 |
| - | TIN PLATED | GREEN | 45.72 | 5 | 284051-5 |
| - | TIN PLATED | GREEN | 35.56 | 4 | 284051-4 |
| - | TIN PLATED | GREEN | 25.40 | 3 | 284051-3 |
| - | TIN PLATED | GREEN | 15.24 | 2 | 284051-2 |
| MARKING | CONTACT FINISH | HOUSING COLOR | A | NO OF POSN | PART NUMBER |

THIS DRAWING IS A CONTROLLED DOCUMENT FOR TYCO ELECTRONICS CORPORATION. IT IS SUBJECT TO CHANGE AND THE CONTROLLING ENGINEERING ORGANIZATION SHOULD BE CONTACTED FOR THE LATEST REVISION.

DWN: S. WELDON 16NOV2005
 CHK: C. RICHARD 16NOV2005
 APVD: C. RICHARD 16NOV2005

tyco Tyco Electronics
 Harrisburg, PA 17105-3608

NAME: TERMINAL BLOCK, VERTICAL, PLUG, STACKING, RIGHT HAND, 10.16mm PITCH

SIZE: A2 CAGE CODE: 00779 DRAWING NO: 284051 RESTRICTED TO: -

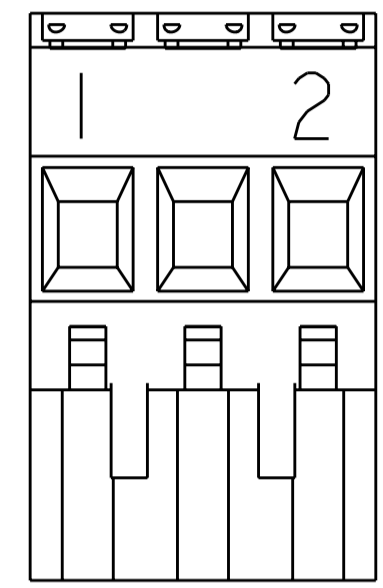
MATERIAL: FINISH:

PRODUCT SPEC: -
 APPLICATION SPEC: -
 WEIGHT: -

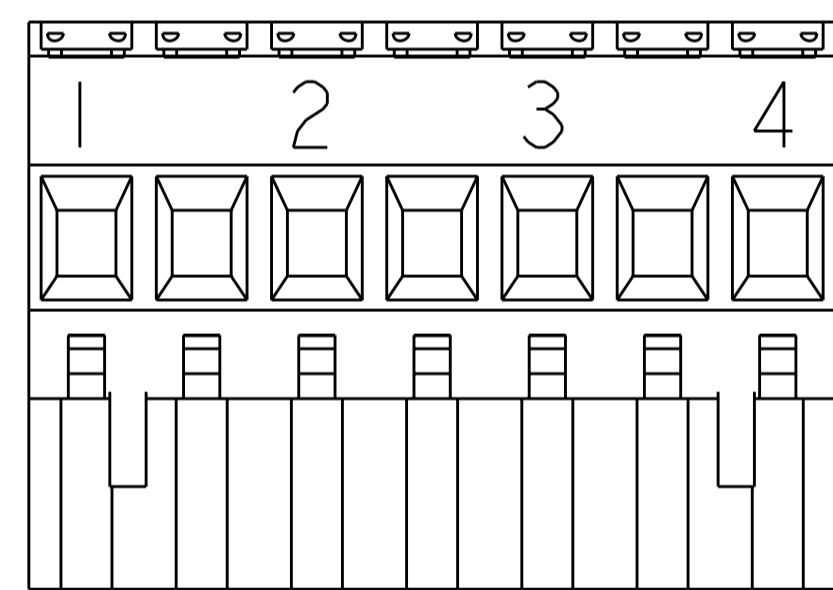
CUSTOMER DRAWING SCALE: 3:1 SHEET 1 OF 2 REV D

THIS DRAWING IS UNPUBLISHED. RELEASED FOR PUBLICATION 20
 © COPYRIGHT 20 BY TYCO ELECTRONICS CORPORATION. ALL RIGHTS RESERVED.

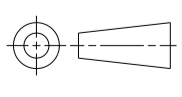
| LOC | DIST | REVISIONS | | | |
|-----|------|-------------|-------------|-----|------|
| P | LTR | DESCRIPTION | DATE | DWN | APVD |
| FT | 0 | - | SEE SHEET 1 | - | - |
| | | | | | |
| | | | | | |



△₄
 DETAIL S



△₅
 DETAIL T

| | | | |
|---|---|--|--|
| <small>THIS DRAWING IS A CONTROLLED DOCUMENT FOR TYCO ELECTRONICS CORPORATION IT IS SUBJECT TO CHANGE AND THE CONTROLLING ENGINEERING ORGANIZATION SHOULD BE CONTACTED FOR THE LATEST REVISION.</small> | | DWN S. WELDON 16NOV2005 CHK C. RICHARD 16NOV2005 APVD C. RICHARD 16NOV2005 | tyco Electronics Tyco Electronics Harrisburg, PA 17105-3608 |
| DIMENSIONS: mm  | TOLERANCES UNLESS OTHERWISE SPECIFIED: 0 PLC ±- 1 PLC ±0.3 2 PLC ±0.25 3 PLC ±0.000 4 PLC ±0.0000 ANGLES ±2° FINISH | PRODUCT SPEC - APPLICATION SPEC - WEIGHT - | NAME TERMINAL BLOCK, VERTICAL, PLUG, STACKING, RIGHT HAND, 10.16mm PITCH SIZE A200779 CAGE CODE C-284051 DRAWING NO. - RESTRICTED TO - |
| MATERIAL - | | CUSTOMER DRAWING | SCALE 3:1 SHEET 2 OF 2 REV D |