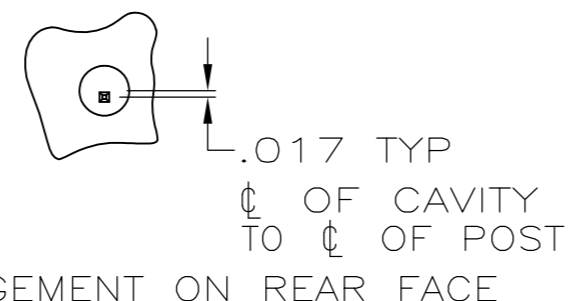
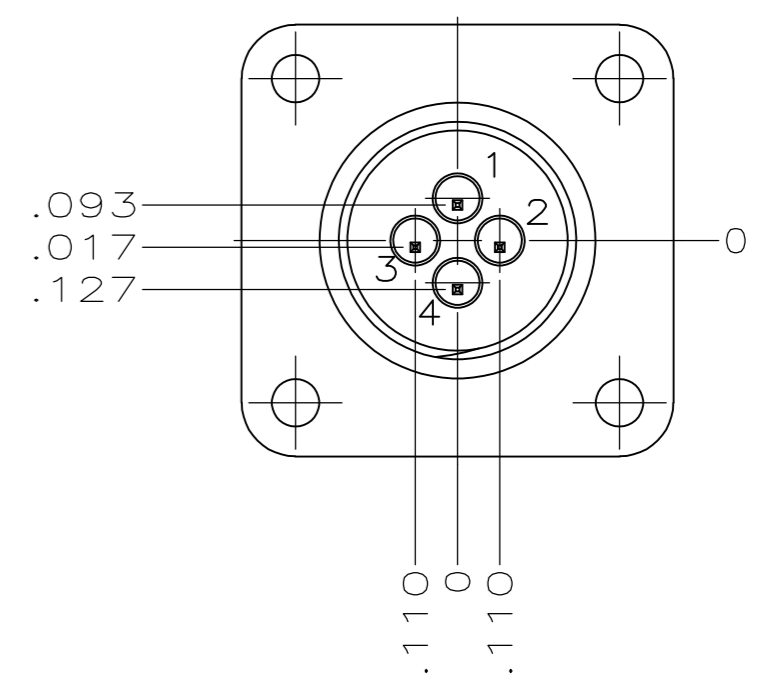
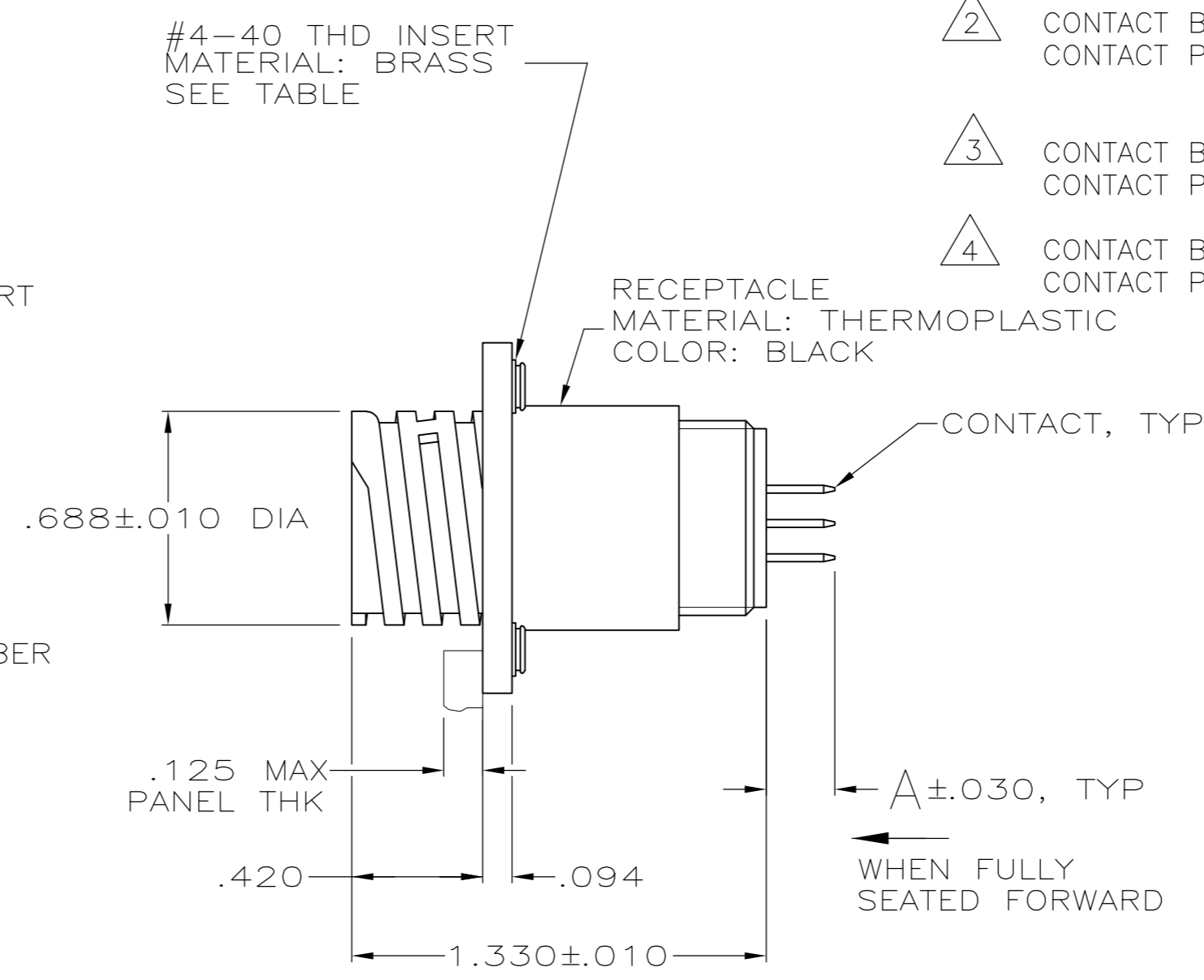
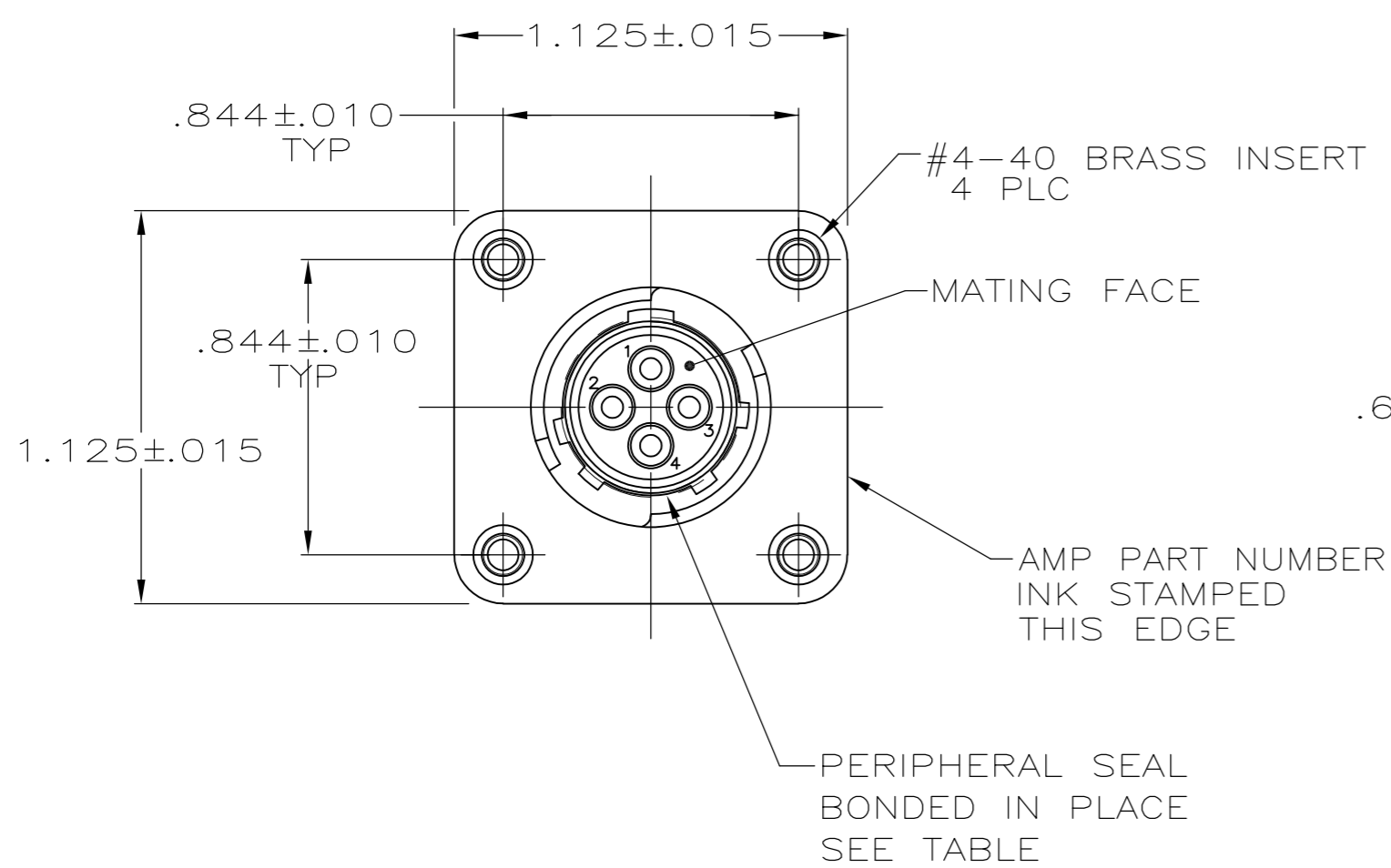


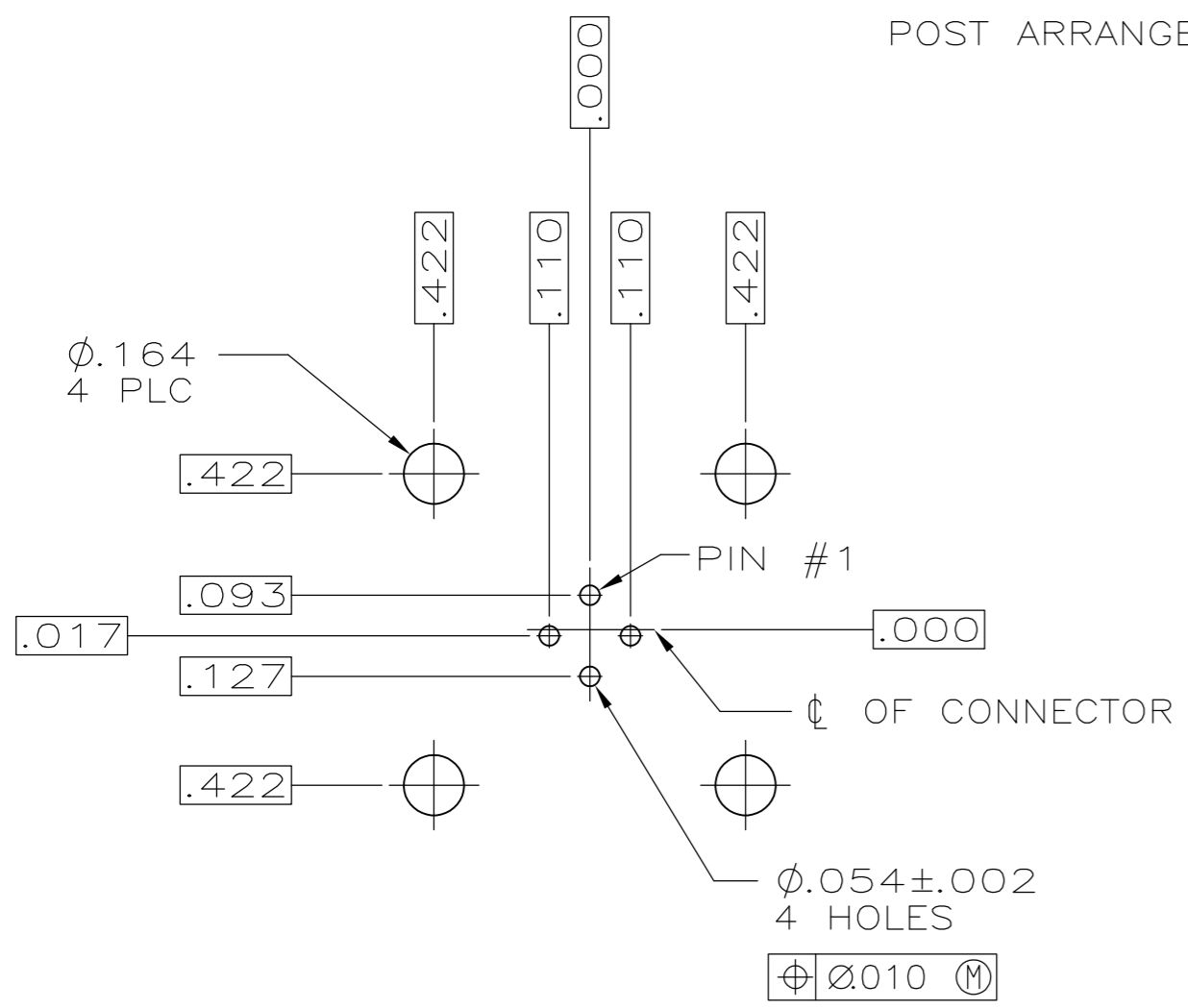
THIS DRAWING IS UNPUBLISHED. RELEASED FOR PUBLICATION  
 © COPYRIGHT BY TYCO ELECTRONICS CORPORATION. ALL RIGHTS RESERVED.

LOC		DIST		REVISIONS			
P	LTR	DESCRIPTION	DATE	DWN	APVD		
FT	0						
	R2	REVISED PER ECO-10-013527	30JUN10	HMR	MG		

- 1 RECEPTACLE IS LOADED WITH 4 TYPE III+ POSTED PIN CONTACTS.
- 2 CONTACT BODY: GOLD PER MIL-G-45204 OVER NICKEL PER QQ-N-290. CONTACT POST: TIN-LEAD PER MIL-T-10727 OVER COPPER PER MIL-C-14550A.
- 3 CONTACT BODY: GOLD PER MIL-G-45204 OVER NICKEL PER QQ-N-290. CONTACT POST: TIN OVER COPPER PER MIL-C-14550A.
- 4 CONTACT BODY: TIN OVER NICKEL PER MIL-C-14550A. CONTACT POST: TIN OVER NICKEL PER MIL-C-14550A.



POST ARRANGEMENT ON REAR FACE



RECOMMENDED P.C. BOARD LAYOUT

CONTACT FINISH	PERIPHERAL SEAL	THREADED INSERTS	PART NUMBER
3	NO	NO	1-207825-5
4	YES	YES	1-207825-4
3	NO	NO	1-207825-2
4	NO	YES	1-207825-1
3	YES	YES	1-207825-0
3	NO	YES	207825-9
2	YES	NO	207825-8
2	YES	YES	207825-7
2	NO	NO	207825-6
2	NO	NO	207825-5
2	NO	YES	207825-4
2	YES	YES	207825-3
2	NO	YES	207825-2
2	NO	YES	207825-1

OBSOLETE

THIS DRAWING IS A CONTROLLED DOCUMENT.

DWN R.LEE BG 7-1-91	Tyco Electronics Corporation Harrisburg, PA 17105-3608
CHK W.G.LENKER 4-14-92	
APVD -	NAME
PRODUCT SPEC 108-10024	RECEPTACLE ASSEMBLY, POSTED, STD SEX, SERIES 1, 11-4, CPC
APPLICATION SPEC -	SIZE A2 CAGE CODE 00779 DRAWING NO C-207825
MATERIAL -	WEIGHT -
FINISH -	SCALE 2:1 SHEET 1 of 1
CONTACT: 2	RESTRICTED TO -

CUSTOMER DRAWING