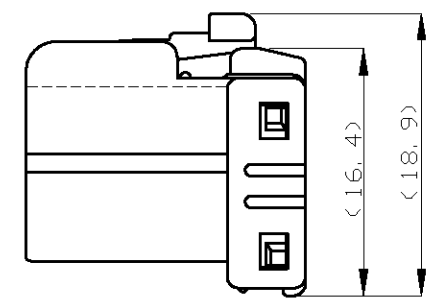
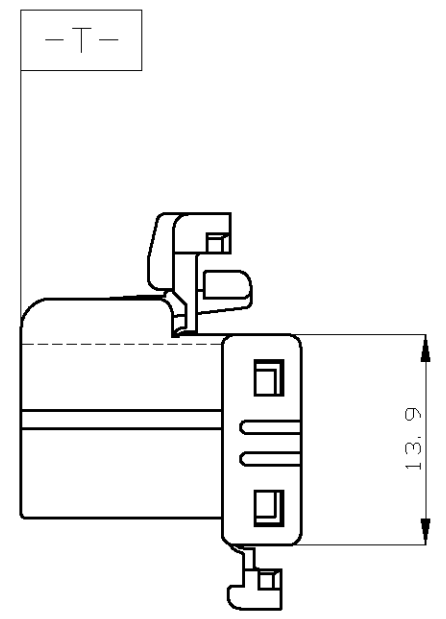
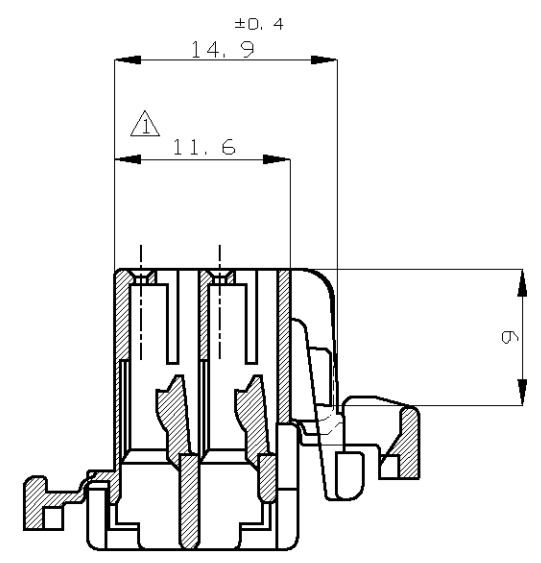
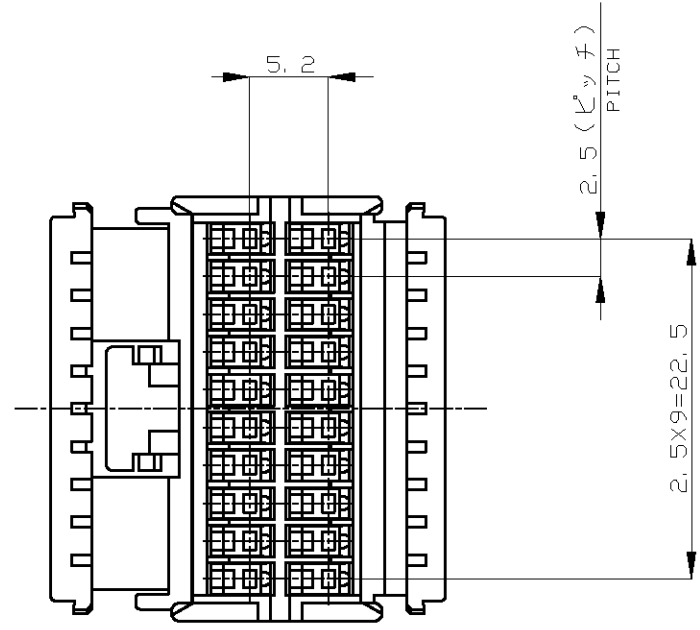
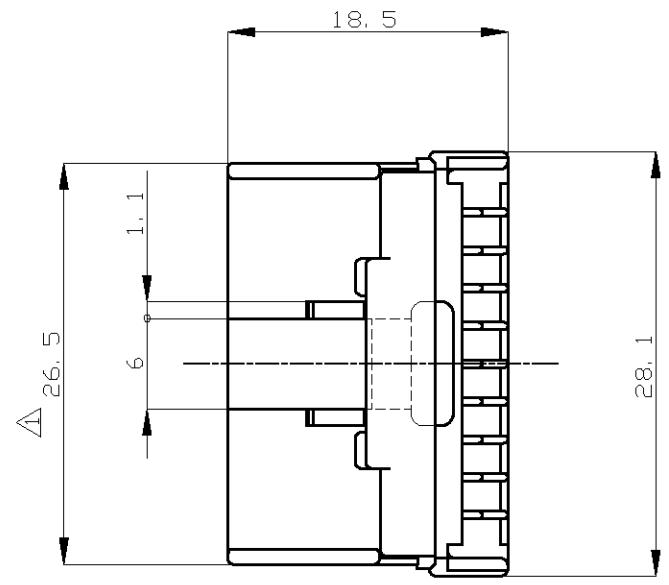
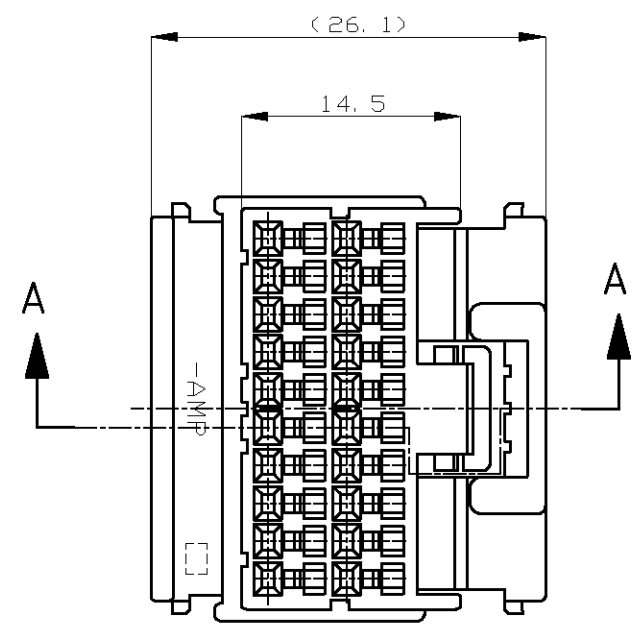


THIS DRAWING IS UNPUBLISHED. RELEASED FOR PUBLICATION
 © COPYRIGHT BY TYCO ELECTRONICS CORPORATION. ALL INTERNATIONAL RIGHTS RESERVED.

LOC	DIST	REVISIONS					
		P	LTR	DESCRIPTION	DATE	DWN	APVD
J	-	G	OBSOLETED -8	ECR-09-019882	07SEP09	SF	KB



二重ロック時
DOUBLE LOCKED

OBSOLETE	色 (COLOR)	製品型番 (PART NO.)
	オレンジ (ORANGE)	174047-8
	青 (BLUE)	174047-5
	緑 (GREEN)	174047-4
	黒 (BLACK)	174047-2
	白 (WHITE)	174047-1
	色 (COLOR)	製品型番 (PART NO.)

⚠ TO BE MEASURED WITHIN 2mm FROM [-T-]
 ⚠ APPLICABLE PRODUCT SPEC. NO. 108-5244, 108-5352

⚠ [-T-] 面より 2mm の範囲で測定
 ⚠ 適用製品規格番号 108-5244, 108-5352

TOLERANCE UNLESS OTHERWISE SPECIFIED: 一般公差	
0 < x ≤ 10	: ±0.2
10 < x ≤ 30	: ±0.25
30 < x ≤ 100	: ±0.3
ANGLE ; 角度	: ±3°

DIMENSIONS: 単位: 耗 mm		TOLERANCES UNLESS OTHERWISE SPECIFIED: 一般公差	
0 PLC	± -	1 PLC	± -
2 PLC	± -	3 PLC	± -
4 PLC	± -	ANGLES	± -
MATERIAL 材料	PBT	FINISH 仕上	-

THIS DRAWING IS A CONTROLLED DOCUMENT.		DWN M.SUGAWARA 07AUG06	Tyco Electronics Corporation Kawasaki, Japan	
		CHK T.SHINOHARA 07AUG06	NAME 名称	
		APVD K.BETSUI 07AUG06	20POSITION PLUG HOUSING 040SERIES MULTI-LOCK CONNECTOR	
		PRODUCT SPEC 製品規格	SIZE	CAGE CODE
		APPLICATION SPEC 取付適用規格	A3	00779
		WEIGHT -	DRAWING NO 番号	RESTRICTED TO
		CUSTOMER DRAWING	C-174047	-
		SCALE 尺度 2:1	SHEET 1 OF 1	REV G