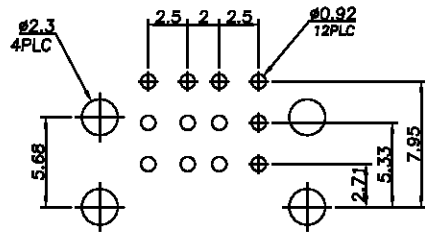
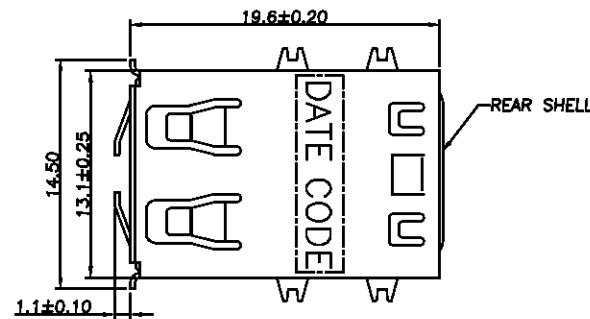


LOC		DIST		REVISIONS			
P	LR	DESCRIPTION	DATE	DMN	APVD		
B		REVISED (ECR-09-008206)	14APR09	SC	WK		
B1		REVISED PER ECO-10-000444	18FEB10	KK	HMR		

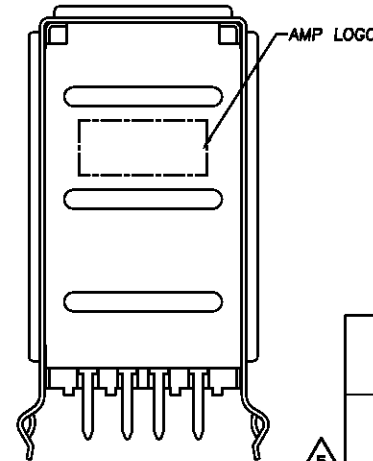
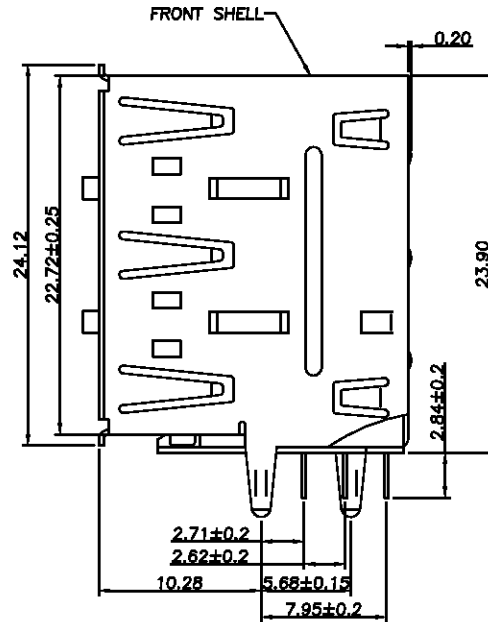
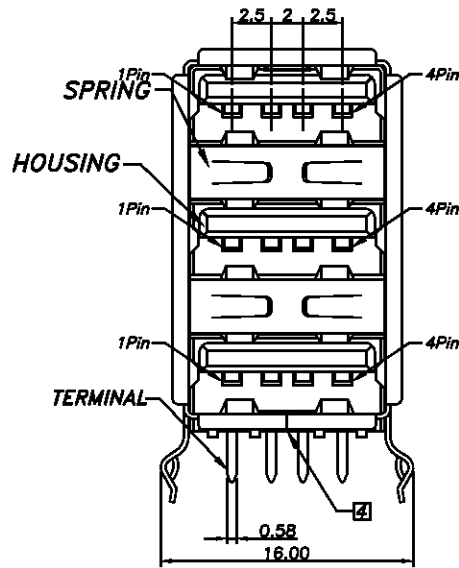


RECOMMENDED PCB LAYOUT
PCB TOLERANCE : ±0.05



- NOTES :
- MATERIAL :
HOUSING : THERMOPLASTIC, UL 94V-0, COLOR: SEE TABLE.
CONTACT : PHOSPHOR BRONZE, (t=0.25mm).
FRONT SHELL & SPRING : BRASS, (t=0.30mm).
REAR SHELL : SPCC (t=0.30mm).
 - FINISH :
CONTACT : GOLD PLATED(SEE TABLE) ON CONTACT AREA, 100u" MIN. TIN PLATED ON SOLDER TAILS, 50u" MIN. NICKEL UNDERPLATED ALL OVER.
FRONT SHELL: 40u" MIN. NICKEL PLATED OVER 50u" MIN. CU UNDERPLATED ALL OVER.
REAR SHELL: 100u" MIN. NICKEL PLATED OVER 100u" MIN. CU UNDERPLATED ALL OVER.
 - TOLERANCE : ±0.30mm.
GAP.0.25mm(MAX.)

OBsolete PARTS: OBSOLETE CIS STREAMLINING PER PER D.RENAUD/D.SINISI

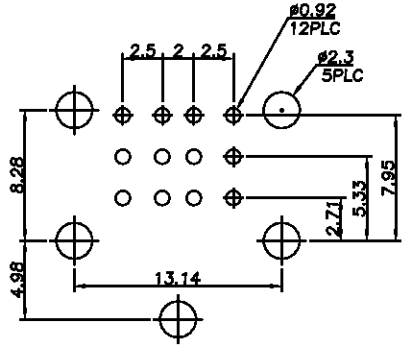


30μ"	BLACK	1734181-6
	WHITE	1734181-5
5μ"	BLACK	1734181-4
	WHITE	1734181-3
GOLD FLASH	BLACK	1734181-2
	WHITE	1734181-1
MIN. GOLD THICKNESS	HSG. COLOR	PART NUMBER

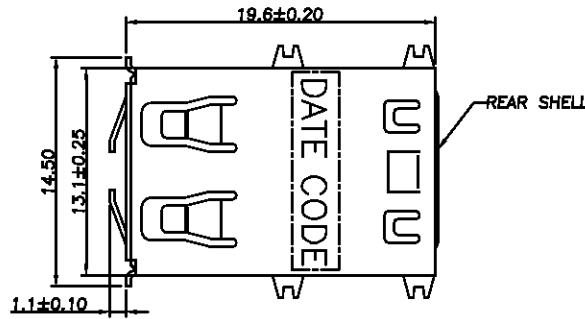
THIS DRAWING IS A CONTROLLED DOCUMENT.

DMN S. CHIEN 14APR2009	Tyco Electronics Corporation Taipei, Taiwan	
CHK S. CHIEN 14APR2009	RCPT. ASS'Y TRIPLE STACKED USB, R/A, A TYPE.	
APVD W. KODAMA 14APR2009	NAME	RESTRICTED TO
PRODUCT SPEC 108-57113	SIZE	CAGE CODE
QUALIFICATION TEST REPORT 501-57061	DRAWING NO A3 00779	SCALE
MATERIAL SEE NOTE	WEIGHT - GRAMS	SHEET 1 of 3
DIMENSIONS: MM	TOLERANCES UNLESS OTHERWISE SPECIFIED:	REV B1
0 PLC ± 0.3	1 PLC ± 0.3	
2 PLC ± 0.3	3 PLC ± -	
4 PLC ± -	ANGLES ± 3'	

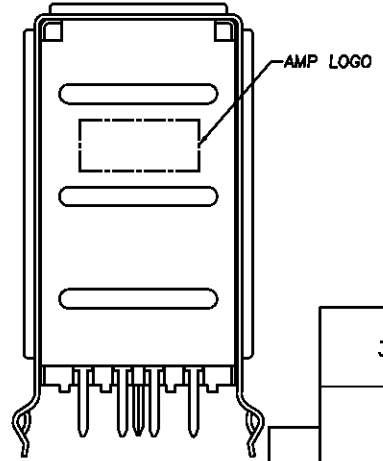
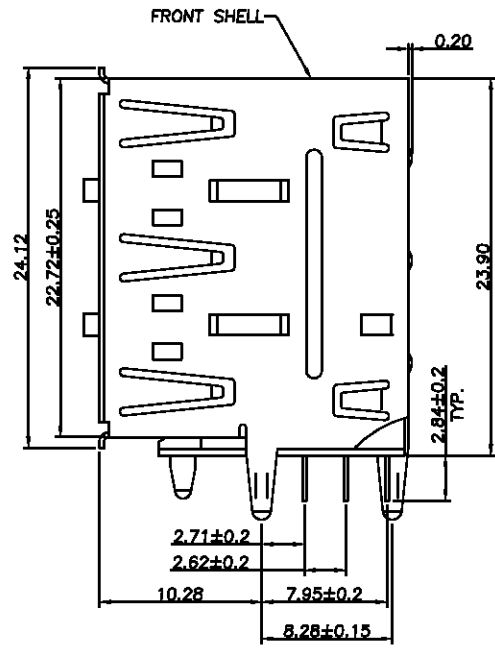
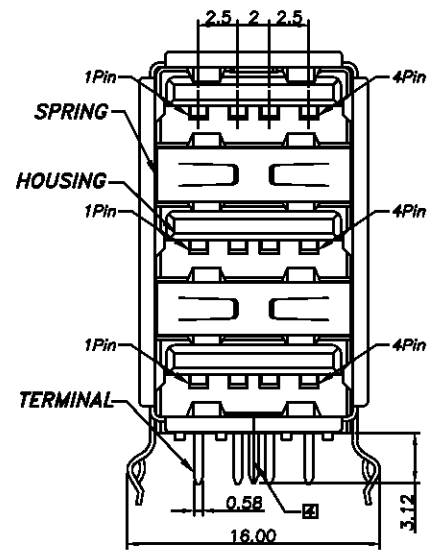
LOC		DIST		REVISIONS			
P	LR	DESCRIPTION	DATE	DWN	APVD		
SEE SHEET 1.							



RECOMMENDED PCB LAYOUT
 PCB TOLERANCE : ±0.05



- NOTES :
- MATERIAL :**
 HOUSING : THERMOPLASTIC, UL 94V-0, COLOR: SEE TABLE.
 CONTACT : PHOSPHOR BRONZE, (t=0.25mm).
 FRONT SHELL & SPRING : BRASS, (t=0.30mm).
 REAR SHELL : SPCC (t=0.30mm).
 - FINISH :**
 CONTACT : GOLD PLATED(SEE TABLE) ON CONTACT AREA, 100u" MIN. TIN PLATED ON SOLDERTAILS, 50u" MIN. NICKEL UNDERPLATED ALL OVER.
 FRONT SHELL: 40u" MIN. NICKEL PLATED OVER 50u" MIN. CU UNDERPLATED ALL OVER.
 REAR SHELL: 100u" MIN. NICKEL PLATED OVER 100u" MIN. CU UNDERPLATED ALL OVER.
 - TOLERANCE : ±0.30mm.**
 [X] GAP.0.25mm(MAX.)
 [5] OBSOLETE PARTS: OBSOLETE CIS STREAMLINING PER PER D.RENAUD/D.SINISI



30 μ"	BLACK	1-1734181-2
	WHITE	1-1734181-1
5 μ"	BLACK	1-1734181-0
	WHITE	1734181-9
[5] GOLD FLASH	BLACK	1734181-8
	WHITE	1734181-7
MIN. GOLD THICKNESS	HSG. COLOR	PART NUMBER

THIS DRAWING IS A CONTROLLED DOCUMENT.

DIMENSIONS: MM	TOLERANCES UNLESS OTHERWISE SPECIFIED:	DWN	Tyco Electronics Corporation Taipei, Taiwan		
	0 PLC ±	CHK	RCPT. ASS'Y TRIPLE STACKED USB, R/A, A TYPE.		
	1 PLC ±	APVD			
	2 PLC ±	PRODUCT SPEC	NAME	SIZE	CAGE CODE
	3 PLC ±	APPLICATION SPEC		A3	00779
MATERIAL	4 PLC ±	WEIGHT	DRAWING NO	C=1734181	
	ANGLES ±	CUSTOMER DRAWING	RESTRICTED TO		
		SCALE	SHEET	2 of 3	
		REV	B1		

THIS DRAWING IS UNPUBLISHED. RELEASED FOR PUBLICATION AUG 2006.
 © COPYRIGHT BY TYCO ELECTRONICS CORPORATION. ALL RIGHTS RESERVED.

LOC	DIST	REVISIONS			
P	LR	DESCRIPTION	DATE	DWN	APVD
		SEE SHEET 1.			

D

D

C

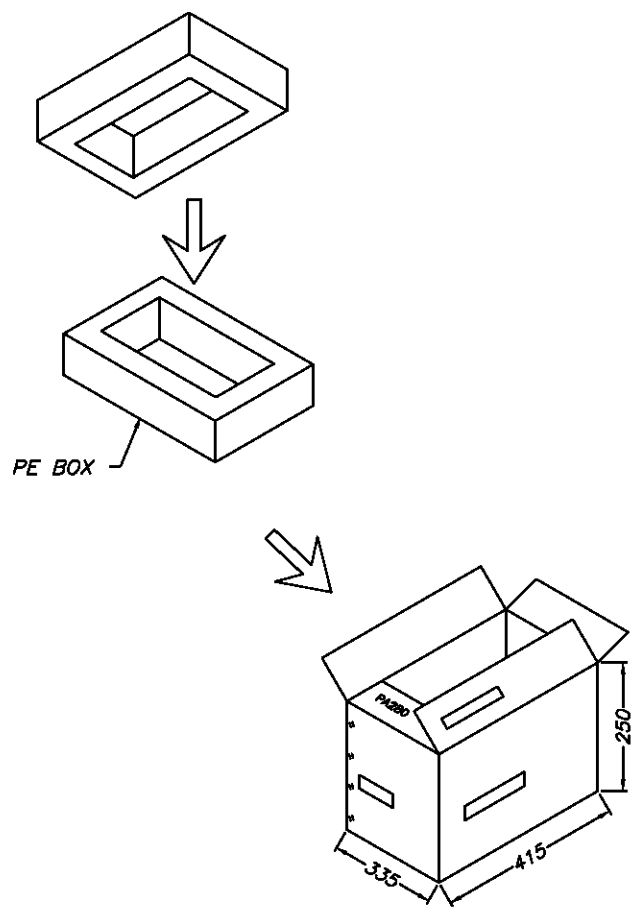
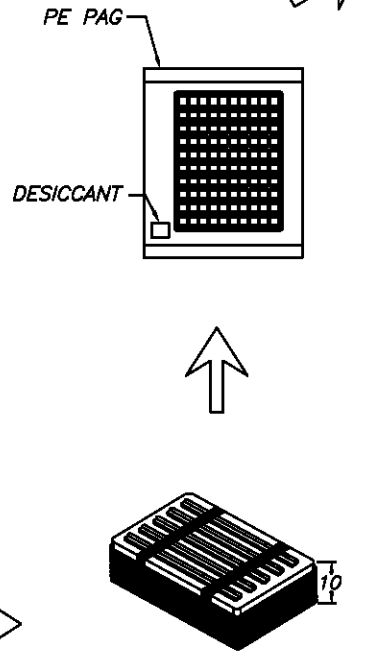
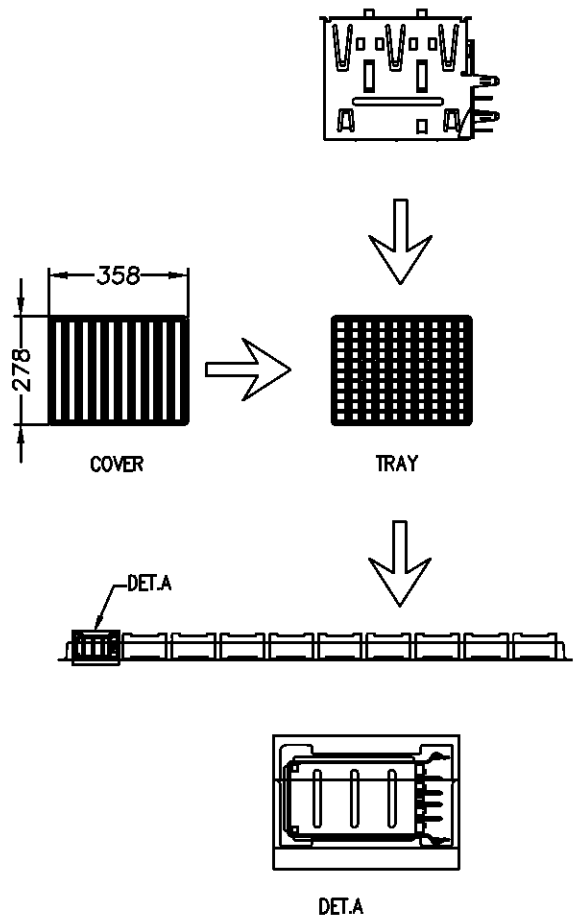
C

B

B

A

A



Every 5 trays and mantissa tray by PE packing . it should be fuled by cardboard when less than one carton .

11.53	9.31	1000	100
G.W(KGS)	N.W(KGS)	QUANTITY/BOX	PCS/TRAY

THIS DRAWING IS A CONTROLLED DOCUMENT.

DIMENSIONS: MM	TOLERANCES UNLESS OTHERWISE SPECIFIED: 0 PLC ± 1 PLC ± 2 PLC ± 3 PLC ± 4 PLC ± ANGLES ±	DWN	Tyco Electronics Corporation Taipei, Taiwan		
MATERIAL	FINISH	CHK	RCPT. ASS'Y TRIPLE STACKED USB, R/A, A TYPE.		
		APVD	NAME	SIZE	RESTRICTED TO
		PRODUCT SPEC		CAGE CODE	
		APPLICATION SPEC		DRAWING NO	
		WEIGHT	A3 00779 C=1734181		
CUSTOMER DRAWING			SCALE	SHEET	REV
				3 of 3	B1