

4

3

2

1

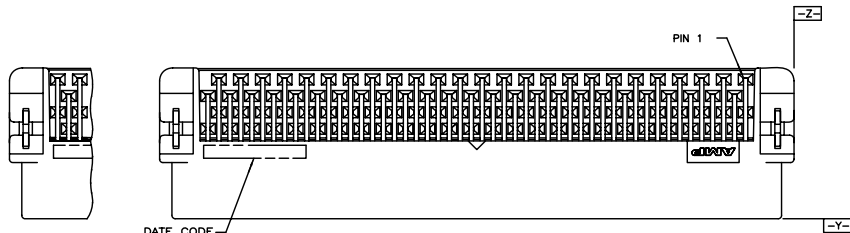
THIS DRAWING IS UNPUBLISHED. RELEASED FOR PUBLICATION AUG, 2006.

© COPYRIGHT BY TYCO ELECTRONICS CORPORATION. ALL RIGHTS RESERVED.

LOC DW DIST

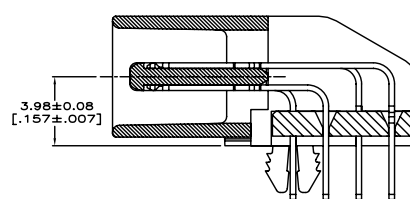
REVISIONS

P	LTR	DESCRIPTION	DATE	DWN	APVD
D		REVISED. (ECR-09-006869)	31MAR09	FY	WK

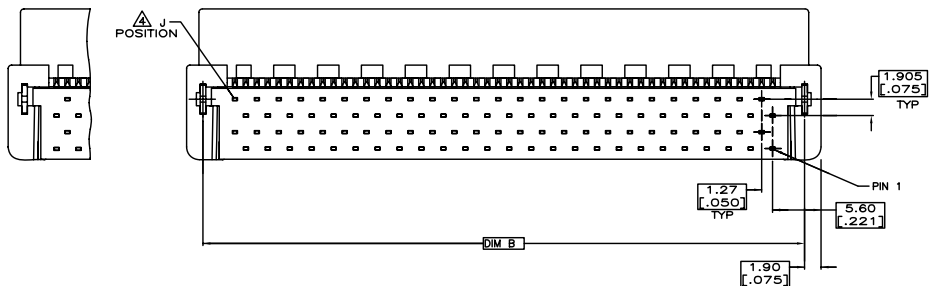
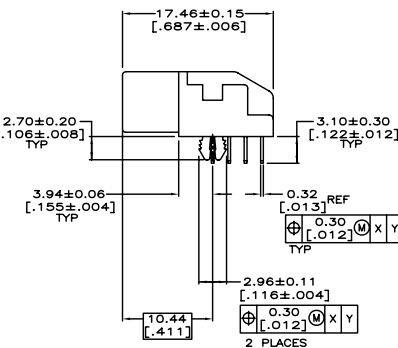
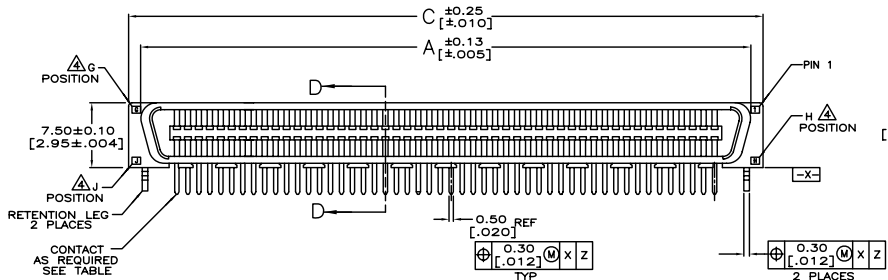


FOR 50 AND 130 POSITIONS ONLY

FOR 40, 60, 68, 80, 100, 120, 140, 160, 180 AND 200 POSITIONS ONLY



SECTION D-D SCALE 8:1



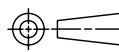
LOC	DIST	DESCRIPTION	DATE	DWN	APVD
136.93 [5.891]	133.13 [5.241]	134.07 [5.278]	100	200	101
GOLD FLASH 5-1734099-8					
0.381um[15u"] 3-1734099-8 200					
0.762um[30u"] 1-1734099-8					
111.53 [4.391]	107.73 [4.241]	108.67 [4.278]	80	160	81
GOLD FLASH 5-1734099-6					
0.381um[15u"] 3-1734099-6 160					
0.762um[30u"] 1-1734099-6					
98.83 [3.891]	95.03 [3.741]	95.97 [3.778]	70	140	71
GOLD FLASH 5-1734099-4					
0.381um[15u"] 3-1734099-4 140					
0.762um[30u"] 1-1734099-4					
86.13 [3.391]	82.33 [3.241]	83.27 [3.278]	20	120	61
GOLD FLASH 5-1734099-2					
0.381um[15u"] 3-1734099-2 120					
0.762um[30u"] 1-1734099-2					
73.43 [2.891]	69.63 [2.741]	70.57 [2.778]	50	100	51
GOLD FLASH 5-1734099-0					
0.381um[15u"] 3-1734099-0 100					
0.762um[30u"] 1-1734099-0					
60.73 [2.391]	56.93 [2.241]	57.87 [2.278]	40	80	41
GOLD FLASH 4-1734099-8					
0.381um[15u"] 2-1734099-8 80					
0.762um[30u"] 1734099-8					
53.11 [2.091]	49.31 [1.941]	50.25 [1.978]	34	68	35
GOLD FLASH 4-1734099-7					
0.381um[15u"] 2-1734099-7 68					
0.762um[30u"] 1734099-7					
48.03 [1.891]	44.23 [1.741]	45.17 [1.778]	30	60	31
GOLD FLASH 4-1734099-6					
0.381um[15u"] 2-1734099-6 60					
0.762um[30u"] 1734099-6					
41.68 [1.641]	37.88 [1.491]	38.82 [1.528]	25	50	26
GOLD FLASH 4-1734099-5					
0.381um[15u"] 2-1734099-5 50					
0.762um[30u"] 1734099-5					
35.33 [1.391]	31.53 [1.241]	32.47 [1.278]	20	40	21
GOLD FLASH 4-1734099-4					
0.381um[15u"] 2-1734099-4 40					
0.762um[30u"] 1734099-4					
C	B	A	G	J	H
GOLD PLATED PART NUMBER POS.					

NOTE:

- MATERIAL: HOUSING: LCP, UL 94V-0, BLACK COLOR. CONTACTS: PHOSPHOR BRONZE. BOARDLOCKS: BRASS.
 - FINISH: CONTACTS: (SEE TABLE) GOLD PLATED ON CONTACT AREA, 3.81um [150u"] MIN. MATTE-TIN ON SOLDER TAIL, OVER 1.27um [50u"] MIN. NICKEL UNDERPLATED. BOARDLOCKS: 3.81um [150u"] MIN. TIN-Cu OVER 1.27um [50u"] MIN. UNDERPLATED.
 - WAVE SOLDER CAPABLE TO 265°C PER TEST SPEC. 109-202, CONDITION B.
- G, J, H INDICATE NUMBER OF POSITION MARKED ON ASSEMBLY. ALSO SEE TABLE.

THIS DRAWING IS A CONTROLLED DOCUMENT.

DIMENSIONS: MM



MATERIAL SEE NOTE

TOLERANCES UNLESS OTHERWISE SPECIFIED:

0 PLC	± -
1 PLC	± 0.25
2 PLC	± 0.2
3 PLC	± -
4 PLC	± -
ANGLES	± -

FINISH SEE NOTE

DWN F. YANG 31MAR2009

CHK S. CHIEN 31MAR2009

APVD W. KODAMA 31MAR2009

PRODUCT SPEC

108-1367

QUALIFICATION TEST REPORT

WEIGHT -

CUSTOMER DRAWING

SCALE -

31MAR2009 Tyco Electronics Corporation Taipei, Taiwan

NAME

PRODUCT SPEC

108-1367

QUALIFICATION TEST REPORT

WEIGHT -

SIZE A3 CAGE CODE 00779 G=1734099 RESTRICTED TO

DRAWING NO 1734099

SCALE - SHEET 1 OF 4 REV D

4

3

2

1

THIS DRAWING IS UNPUBLISHED.

RELEASED FOR PUBLICATION

AUG ,2006.

© COPYRIGHT - BY TYCO ELECTRONICS CORPORATION.

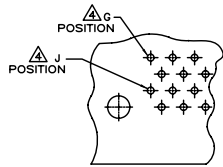
ALL RIGHTS RESERVED.

LOC

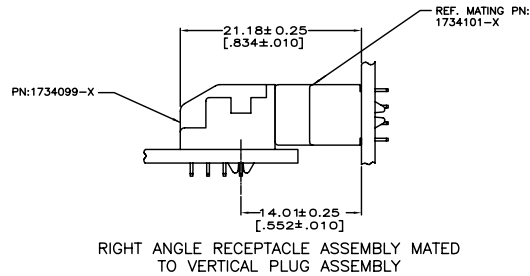
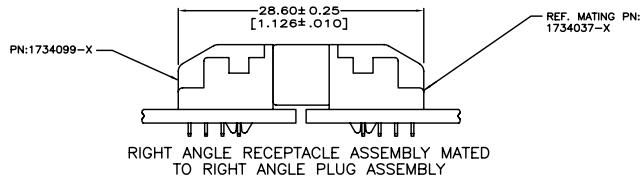
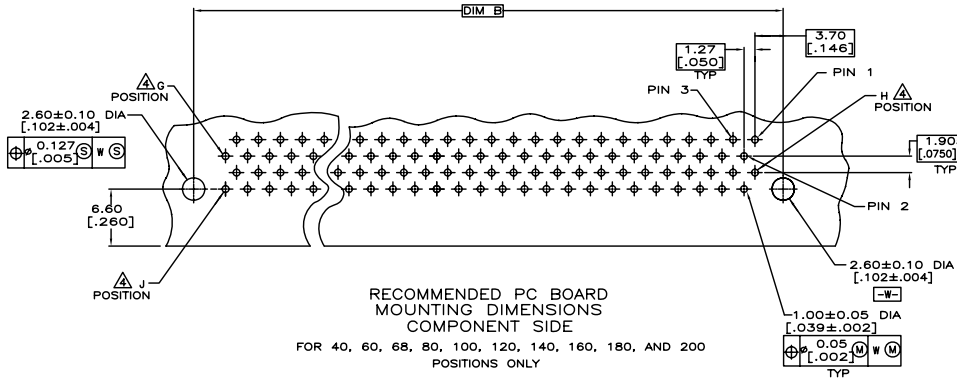
DIST

REVISIONS

P	LTR	DESCRIPTION	DATE	DWN	APVD
		SEE SHEET 1.			



FOR 50, AND 130 POSITIONS ONLY



THIS DRAWING IS A CONTROLLED DOCUMENT.		DWN		Tyco Electronics Corporation Taipei, Taiwan	
DIMENSIONS: MM		CHK		NAME	
TOLERANCES UNLESS OTHERWISE SPECIFIED: 0 PLC ± - 1 PLC ± - 2 PLC ± - 3 PLC ± - 4 PLC ± - ANGLES ± -		APVD		PLUG ASSEMBLY, R/A, BTB, CHAMP .050, SERIES I	
MATERIAL		FINISH		SIZE CAGE CODE DRAWING NO A3 00779 C=1734099	
		PRODUCT SPEC		RESTRICTED TO	
		APPLICATION SPEC			
		WEIGHT		SCALE SHEET 2 OF 4 REV D	
		CUSTOMER DRAWING			

4

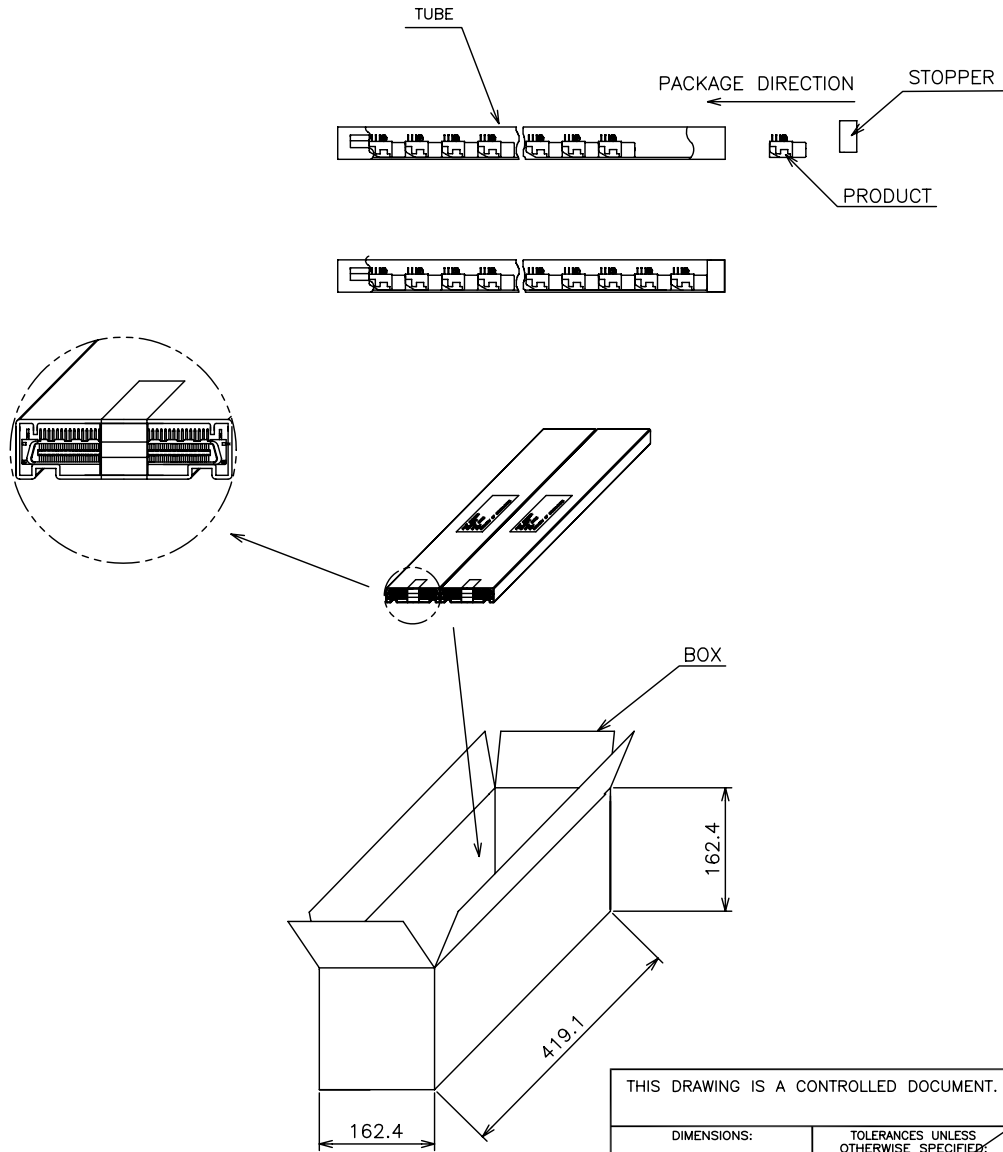
3

2

1

THIS DRAWING IS UNPUBLISHED. RELEASED FOR PUBLICATION AUG, 2006.
 © COPYRIGHT BY TYCO ELECTRONICS CORPORATION. ALL RIGHTS RESERVED.

LOC		DIST		REVISIONS			
P	LTR	DESCRIPTION		DATE	DWN	APVD	
SEE SHEET 1.							



POS.	Q'TY/ TUBE	TUBE/ BOX	Q'TY/ BOX	N/W (KG)	G/W (KG)	PART NUMBER
100	21	16	336	2.60	3.44	5-1734099-0
						3-1734099-0
						1-1734099-0
80	21	16	336	2.15	3.00	4-1734099-8
						2-1734099-8
						1734099-8

THIS DRAWING IS A CONTROLLED DOCUMENT.

DIMENSIONS: MM	TOLERANCES UNLESS OTHERWISE SPECIFIED: 0 PLC ± - 1 PLC ± - 2 PLC ± - 3 PLC ± - 4 PLC ± - ANGLES ± -	DWN	Tyco Electronics Corporation Taipei, Taiwan			
MATERIAL	FINISH	CHK	NAME			
		APVD	PLUG ASSEMBLY, R/A, BTB, CHAMP .050, SERIES I			
		PRODUCT SPEC	SIZE	CAGE CODE	DRAWING NO	RESTRICTED TO
		APPLICATION SPEC	A3	00779	G=1734099	
		WEIGHT	CUSTOMER DRAWING			
			SCALE	SHEET	REV	
				3 of 4	D	

4

3

2

1

THIS DRAWING IS UNPUBLISHED.

RELEASED FOR PUBLICATION

AUG , 2006.

© COPYRIGHT BY TYCO ELECTRONICS CORPORATION.

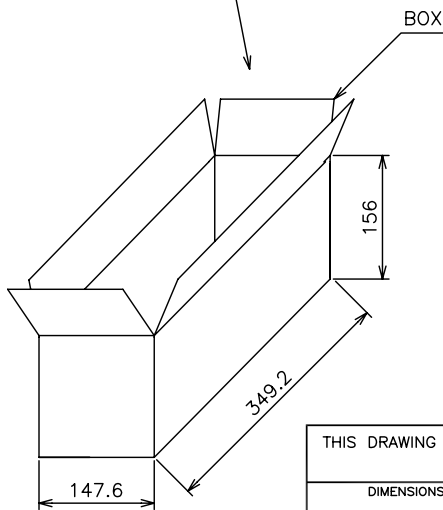
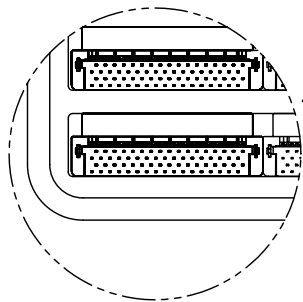
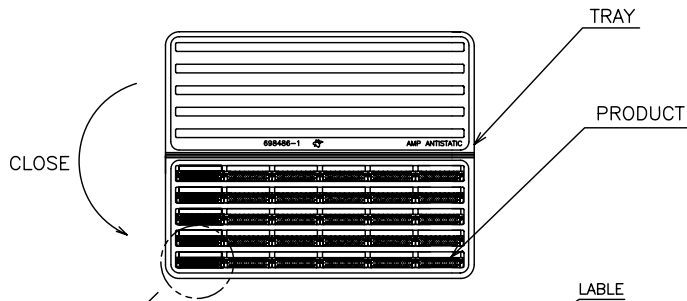
ALL RIGHTS RESERVED.

LOC DW

DIST

REVISIONS

P	LTR	DESCRIPTION	DATE	DWN	APVD
		SEE SHEET 1.			



POS.	Q'TY/ TRAY	TRAY/ BOX	Q'TY/ BOX	N/W (KG)	G/W (KG)	PART NUMBER
200	10	10	100	1.40KG	2.35KG	5-1734099-8 3-1734099-8 1-1734099-8
160	10	10	100	1.18KG	2.13KG	5-1734099-6 3-1734099-6 1-1734099-6
140	15	10	150	1.59KG	2.46KG	5-1734099-4 3-1734099-4 1-1734099-4
120	15	10	150	1.20KG	2.15KG	5-1734099-2 3-1734099-2 1-1734099-2
68	30	10	300	1.69KG	2.64KG	4-1734099-7 2-1734099-7 1734099-7
60	30	10	300	1.53KG	2.48KG	4-1734099-6 2-1734099-6 1734099-6
50	35	10	350	1.58KG	2.56KG	4-1734099-5 2-1734099-5 1734099-5
40	45	10	450	1.71KG	2.66KG	4-1734099-4 2-1734099-4 1734099-4

THIS DRAWING IS A CONTROLLED DOCUMENT.

DIMENSIONS: MM	TOLERANCES UNLESS OTHERWISE SPECIFIED:	DWN	Tyco Electronics Corporation Taipei, Taiwan		
	0 PLC ± - 1 PLC ± - 2 PLC ± - 3 PLC ± - 4 PLC ± - ANGLES ± -	CHK	NAME		
MATERIAL	FINISH	APVD	PLUG ASSEMBLY, R/A, BTB, CHAMP .050, SERIES I		
		PRODUCT SPEC	SIZE	CAGE CODE	DRAWING NO
		APPLICATION SPEC	A3	00779	G=1734099
		WEIGHT	RESTRICTED TO		
		CUSTOMER DRAWING	SCALE	SHEET	REV
				4 OF 4	D