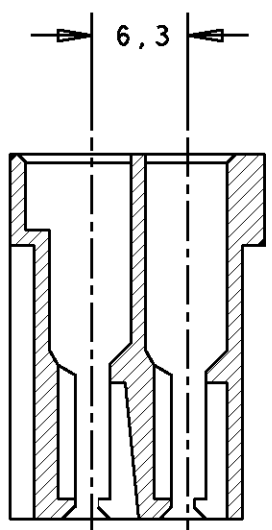
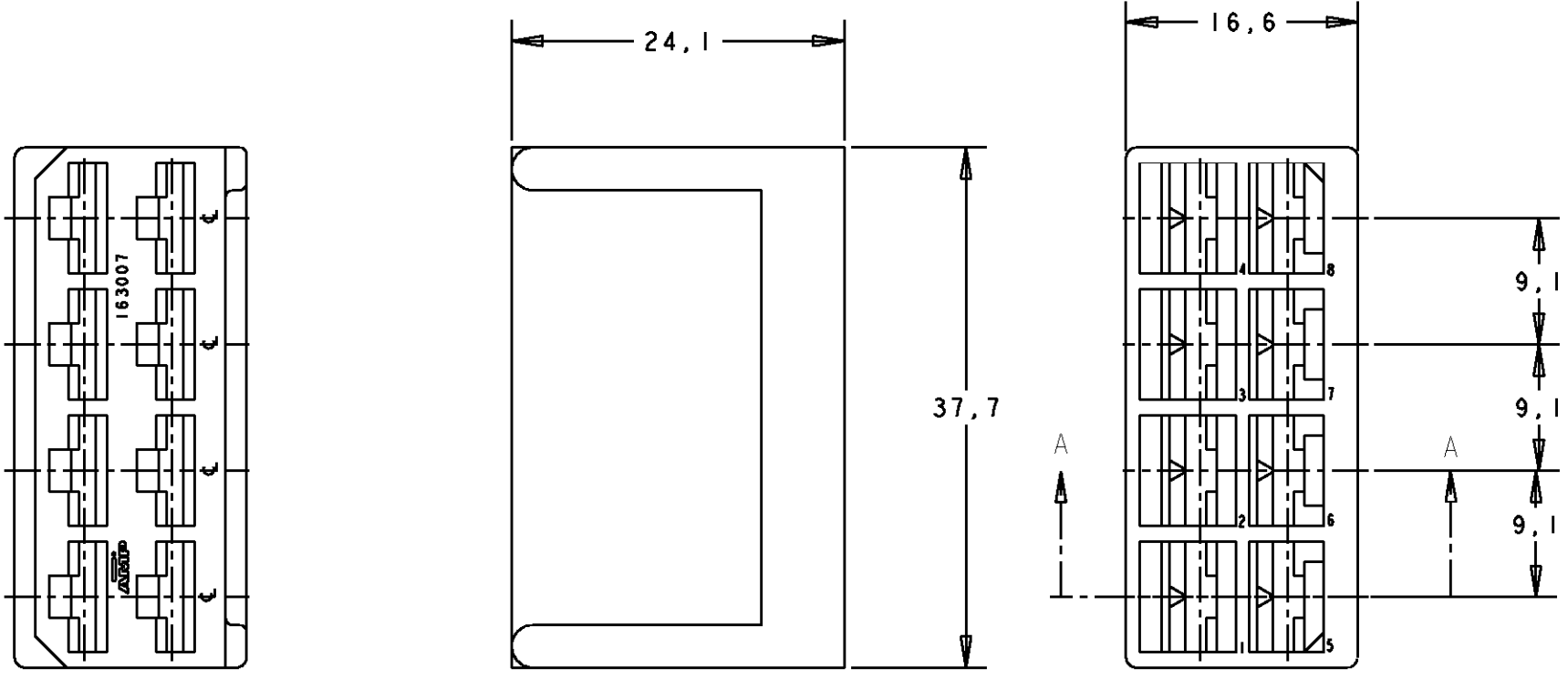


THIS DRAWING IS UNPUBLISHED. RELEASED FOR PUBLICATION
 © COPYRIGHT - BY TYCO ELECTRONICS CORPORATION. ALL RIGHTS RESERVED.

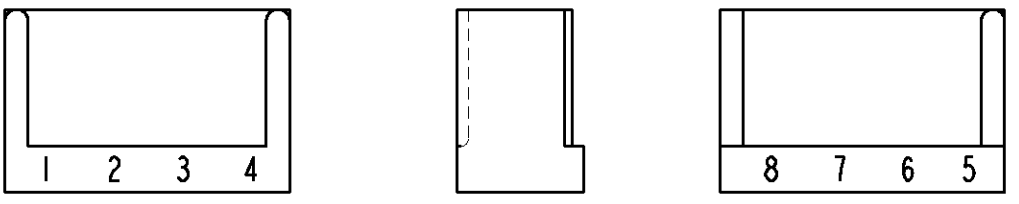
LOC	DIST	REVISIONS			
P	LTR	DESCRIPTION	DATE	DWN	APVD
	0	EH-0360-95	22MRT07		
	D	ECR-07-019161	14AUG07	RvH	MvD

DIMENSIONS IN mm



SECTION A-A

THESE VIEWS SHOW THE EXTRA NUMBERING FOR: 1-163007-0



ORDER NO.	COLOUR	MATERIAL
1-163007-0	CLEAR	NYLON ZYTEL 101
163007-9	ORANGE	NYLON ZYTEL 101
163007-8	VIOLET	NYLON ZYTEL 101
163007-7	GREY	NYLON ZYTEL 101
163007-6	BROWN	NYLON ZYTEL 101
163007-5	BLACK	NYLON ZYTEL 101
163007-4	YELLOW	NYLON ZYTEL 101
163007-3	BLUE	NYLON ZYTEL 101
163007-2	GREEN	NYLON ZYTEL 101
163007-1	RED	NYLON ZYTEL 101
163007-0	CLEAR	NYLON ZYTEL 101

<small>THIS DRAWING IS A CONTROLLED DOCUMENT FOR TYCO ELECTRONICS CORPORATION IT IS SUBJECT TO CHANGE AND THE CONTROLLING ENGINEERING ORGANIZATION SHOULD BE CONTACTED FOR THE LATEST REVISION.</small>		DWN RvHEUVEN 14AUG07 CHK MvDRIEL 14AUG07 APVD MvDRIEL 14AUG07		Tyco Electronics Corporation 's-Hertogenbosch, Nederland	
DIMENSIONS: mm 		TOLERANCES UNLESS OTHERWISE SPECIFIED: 0 PLC ± - 1 PLC ± - 2 PLC ± - 3 PLC ± - 4 PLC ± - ANGLES ± -		NAME 8 WAY FAST-IN-ON RECEPT. HOUSING	
MATERIAL - FINISH -		PRODUCT SPEC - APPLICATION SPEC - WEIGHT -		SIZE A3 CAGE CODE 00779 DRAWING NO C-163007 RESTRICTED TO -	
CUSTOMER DRAWING				SCALE NTS SHEET 1 OF 1 REV D	