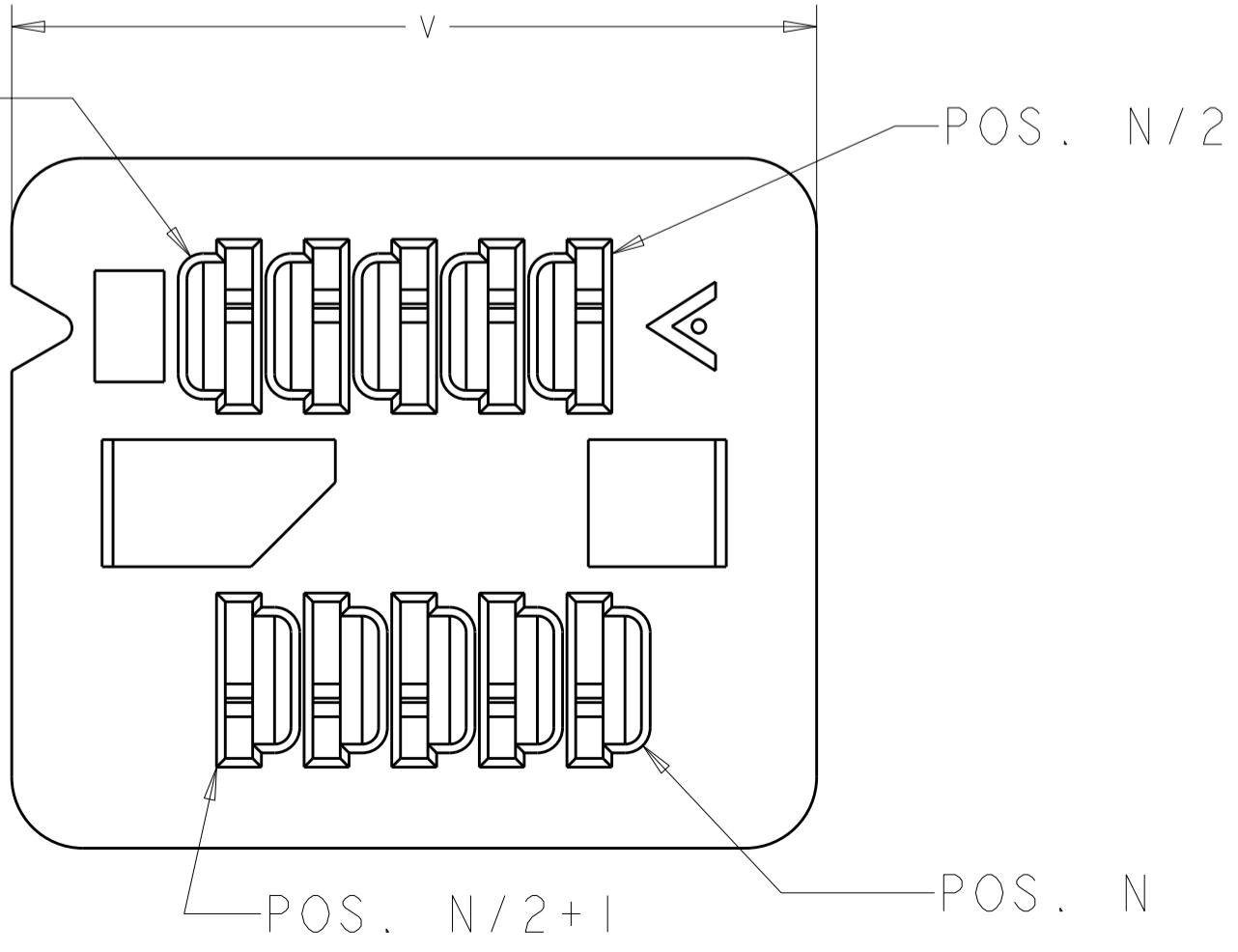
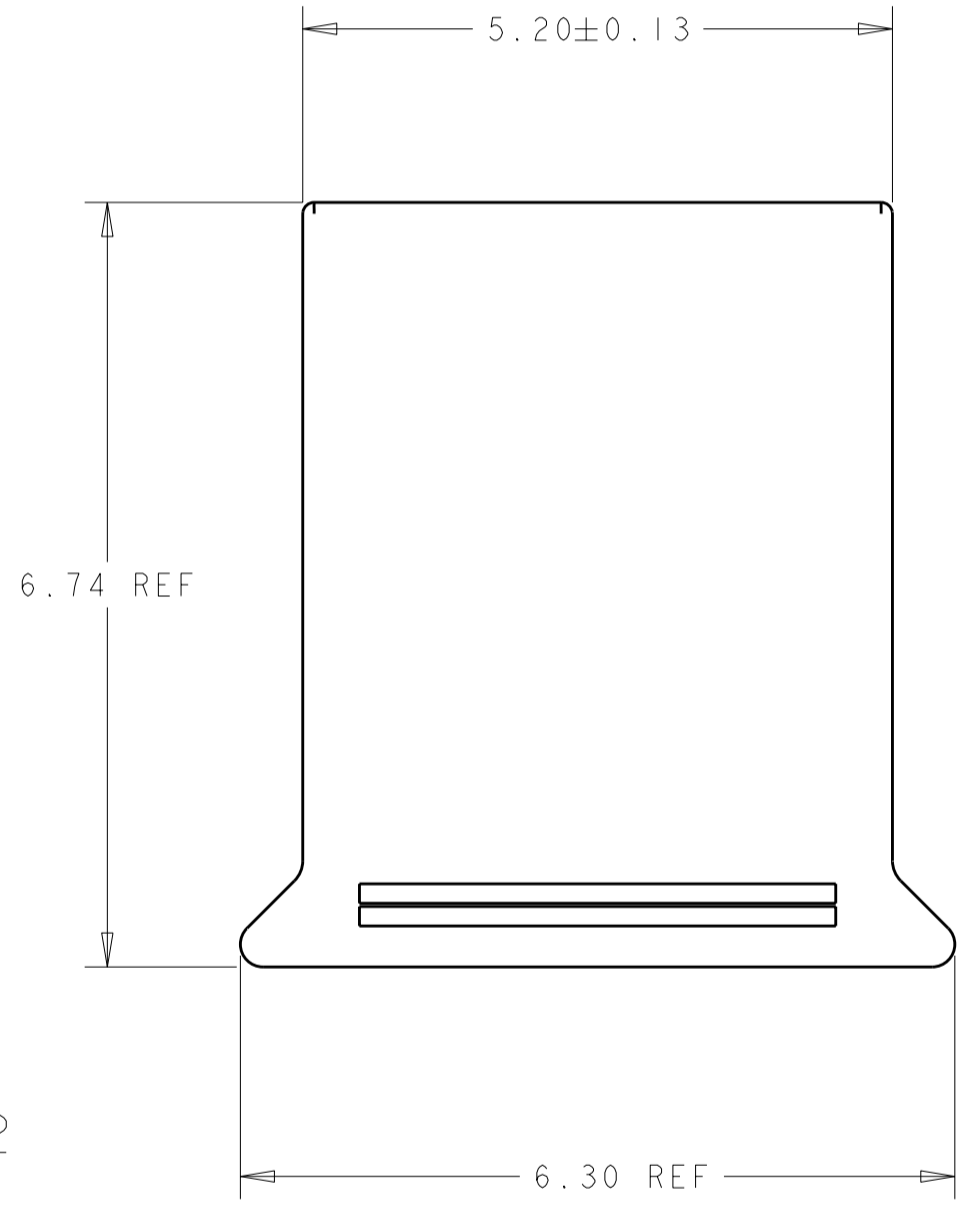
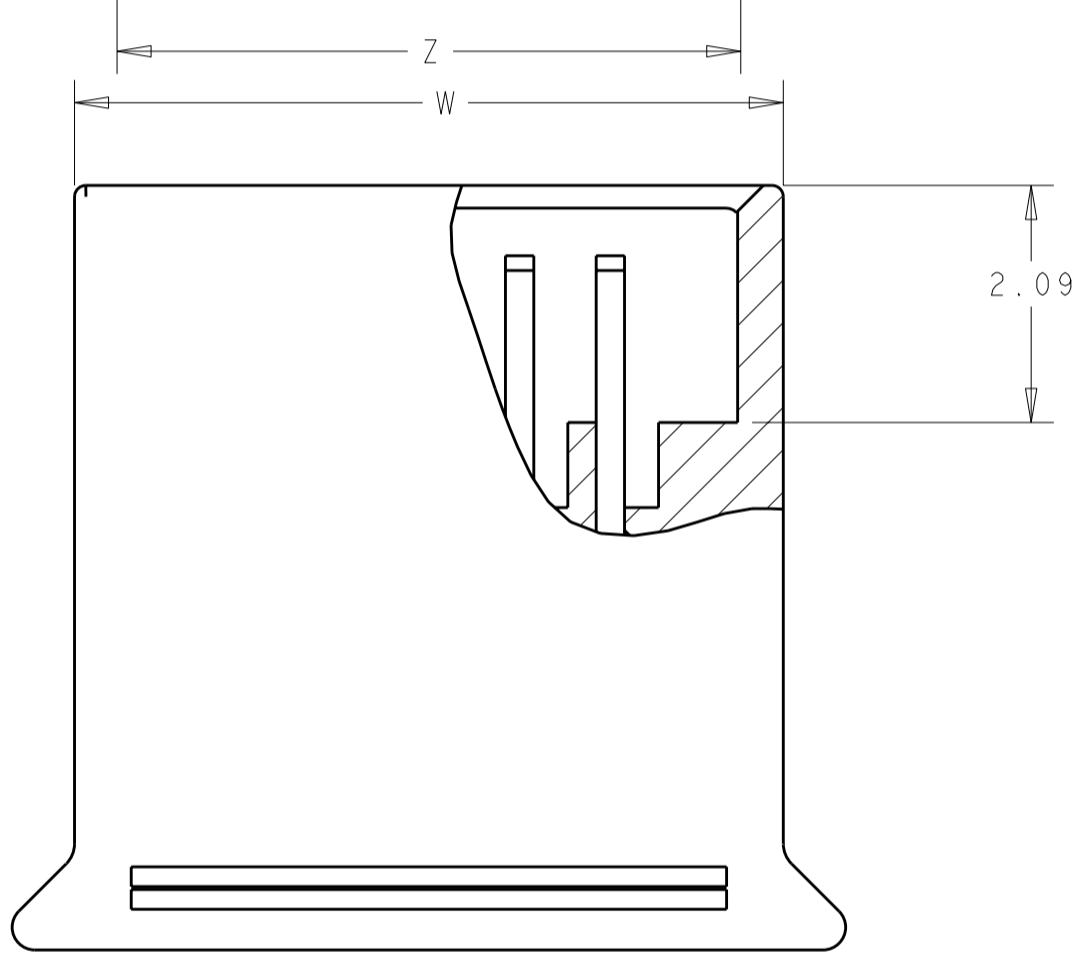
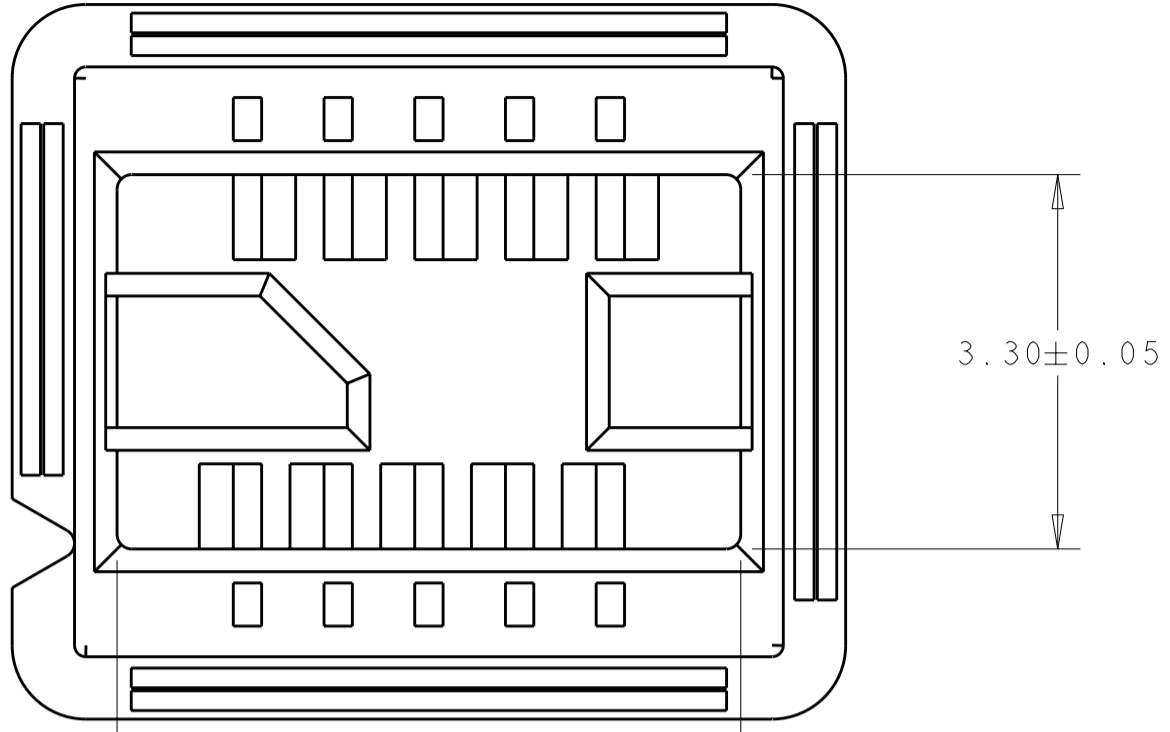


THIS DRAWING IS UNPUBLISHED. RELEASED FOR PUBLICATION .19
 © COPYRIGHT 19 BY AMP INCORPORATED. ALL RIGHTS RESERVED.

LOC	DIST	REVISIONS			
F	LTR	DESCRIPTION	DATE	DWN	APVD
AD	00				
	O	REV PER OG3C-0326-01	13DEC01	RB	JM
	A	REV PER OG3C-0367-03	27OCT03	RB	JM
	AI	REVISED PER ECO-09-025699	21NOV09	KK	AEG



- 1 UL94 V-0 RATED LCP, COLOR: NATURAL.
- 2 OBSOLETE PARTS: OBSOLETE CIS STREAMLINING PER D.RENAUD/D.SINISI

	V	W	Z	NO. OF POS N	PART NUMBER
2 OBSOLETE	19.35	18.25	17.50	40	1-1375875-8
2 OBSOLETE	18.55	17.45	16.70	38	1-1375875-7
2 OBSOLETE	17.75	16.65	15.90	36	1-1375875-6
2 OBSOLETE	16.95	15.85	15.10	34	1-1375875-5
2 OBSOLETE	16.15	15.05	14.30	32	1-1375875-4
2 OBSOLETE	15.35	14.25	13.50	30	1-1375875-3
2 OBSOLETE	14.55	13.45	12.70	28	1-1375875-2
2 OBSOLETE	13.75	12.65	11.90	26	1-1375875-1
2 OBSOLETE	12.95	11.85	11.10	24	1-1375875-0
2 OBSOLETE	12.15	11.05	10.30	22	1375875-9
	11.35	10.25	9.50	20	1375875-8
	10.55	9.45	8.70	18	1375875-7
	9.75	8.65	7.90	16	1375875-6
	8.95	7.85	7.10	14	1375875-5
	8.15	7.05	6.30	12	1375875-4
	7.35	6.25	5.50	10	1375875-3
	6.55	5.45	4.70	8	1375875-2
	5.75	4.65	3.90	6	1375875-1

THIS DRAWING IS A CONTROLLED DOCUMENT FOR AMP INCORPORATED. IT IS SUBJECT TO CHANGE AND THE CONTROLLING ENGINEERING ORGANIZATION SHOULD BE CONTACTED FOR THE LATEST REVISION.		DWN K. KOEGL 03JUN2000 CHK W. DAVIS 03JUN2000 APVD -	AMP Tyco Electronics Corporation Harrisburg, PA 17105-3608
DIMENSIONS: mm 	TOLERANCES UNLESS OTHERWISE SPECIFIED: 0 PLC ± 1 PLC ± 2 PLC ±0.08 3 PLC ± 4 PLC ± ANGLES ± FINISH -	PRODUCT SPEC 108-1955 APPLICATION SPEC 114-13051 WEIGHT -	NAME AMPMODU MICRO INTERCONNECT PLUG HOUSING SIZE A2 CAGE CODE 00779 DRAWING NO. 1375875
MATERIAL		CUSTOMER DRAWING	SCALE 15:1 SHEET 1 OF 1 REV AI