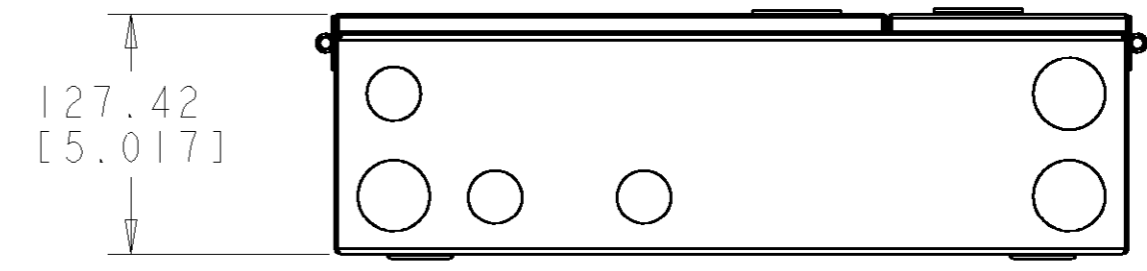
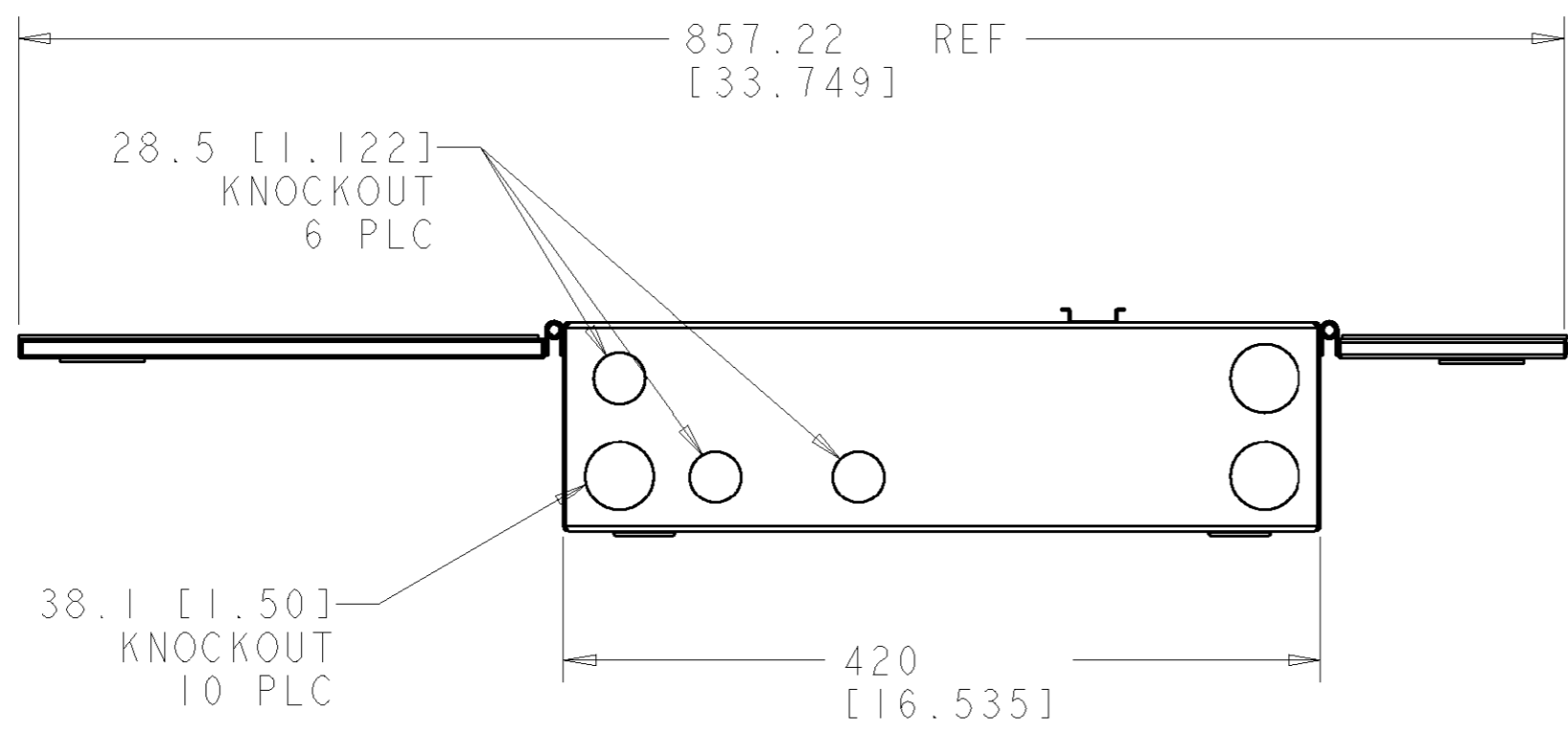
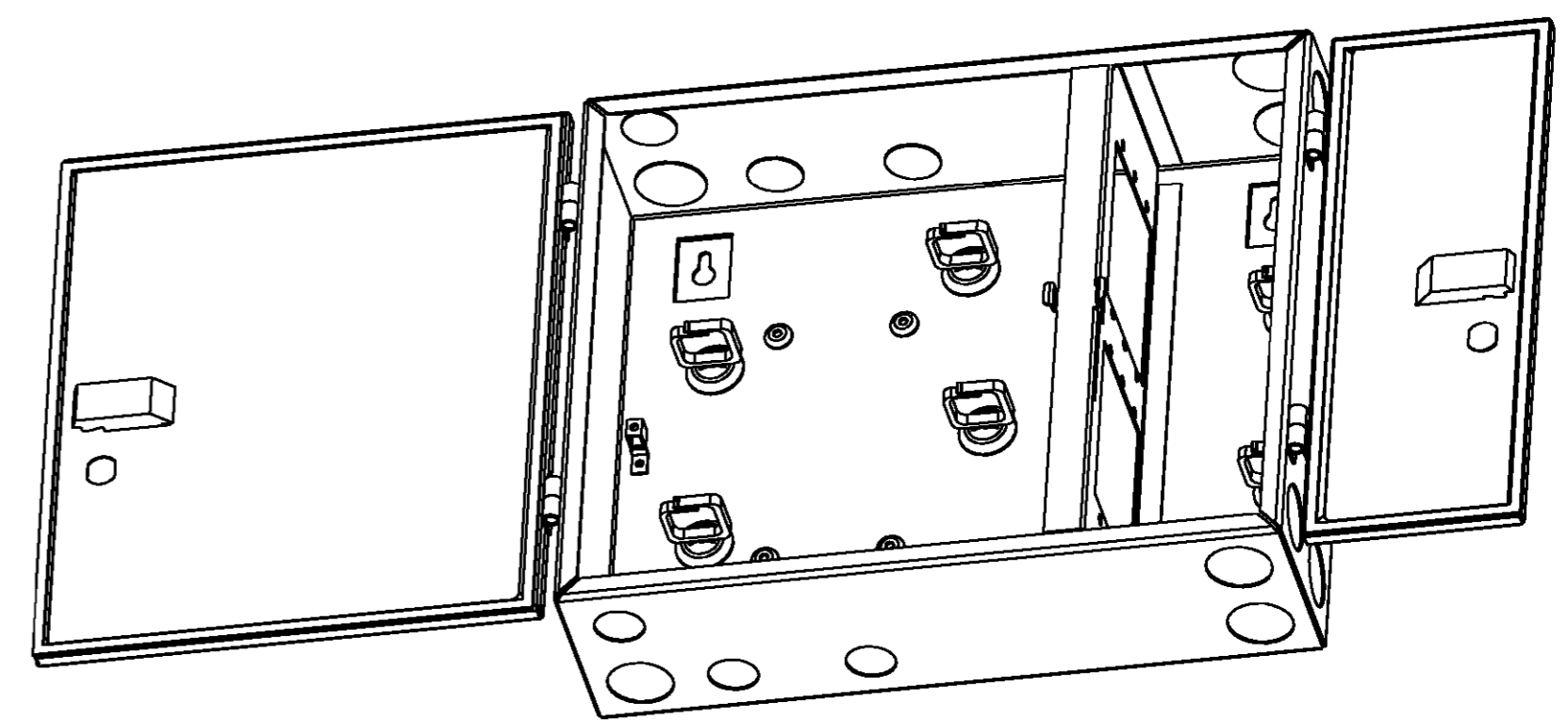
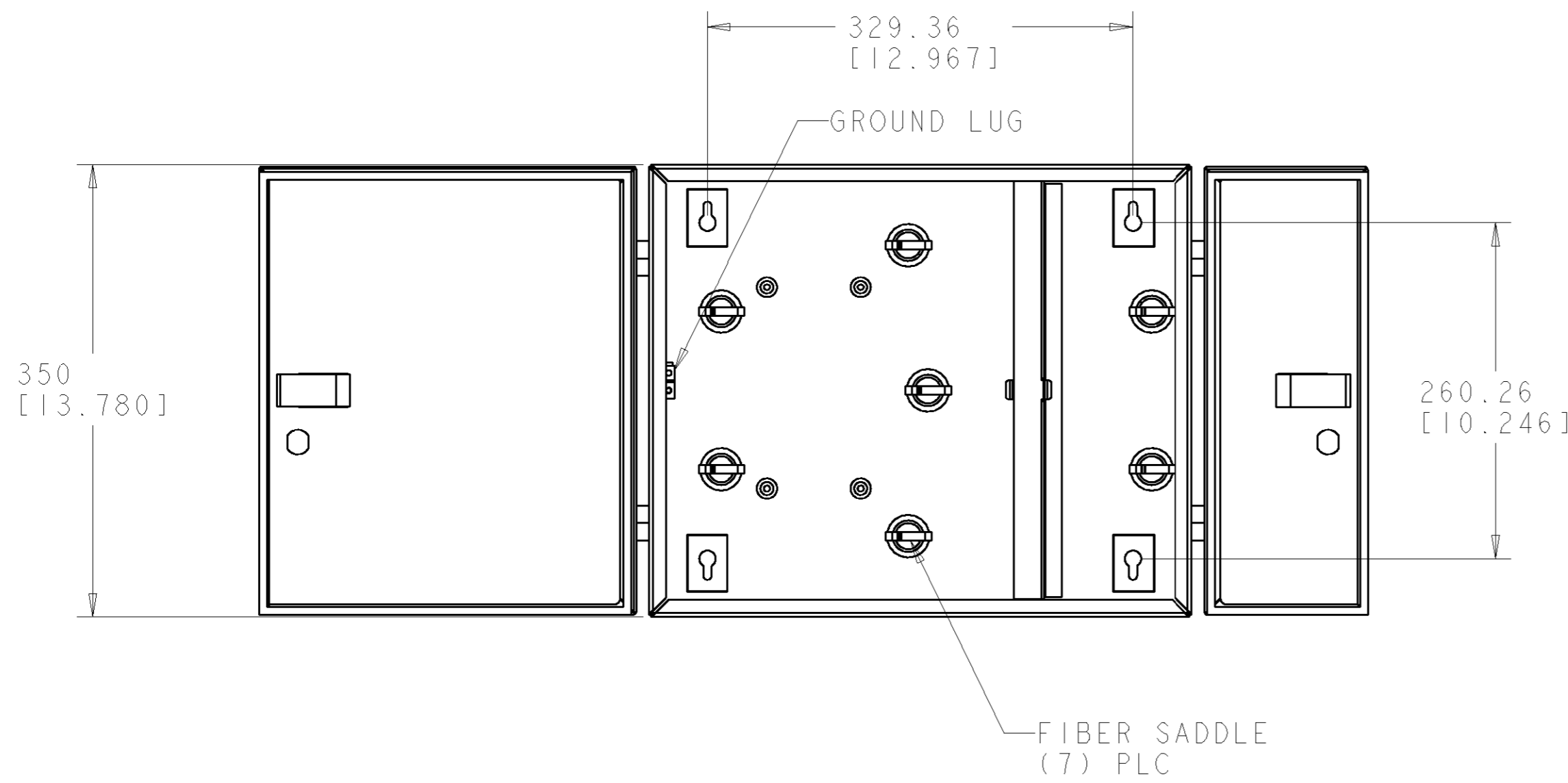


THIS DRAWING IS UNPUBLISHED. RELEASED FOR PUBLICATION 20
 © COPYRIGHT 20 BY AMP INCORPORATED. ALL RIGHTS RESERVED.

LOC	DIST	REVISIONS					
CE	16	P	LTR	DESCRIPTION	DATE	DWN	APVD
		A		REV PER EC 0A00-0437-00	01JUN2000	WS	DM



1. THE FOLLOWING LABELS ARE PROVIDED:
 (1) LASER WARNING LABEL
 (4) 36/72 LINE LABEL

2. ENCLOSURE WILL ACCEPT (6) SIX SNAP-IN ADAPTER PLATES.

3. 1278755-3 INCLUDES THE FOLLOWING:
 (1) CABLE GLAND P/N 1374609-1. FITS 1.50"Ø KO. AND ACCEPTS .60"-1.00"Ø CABLE.
 (1) CABLE GLAND P/N 1374609-2. FITS 1.122"Ø KO. AND ACCEPTS .35"-.70"Ø CABLE.
 (2) GROMMETS P/N 1374608-1. FITS 1.50"Ø KO. MAX. 1.125"Ø OPENING.

4. 1278755-4 INCLUDES THE FOLLOWING:
 (1) CABLE GLAND P/N 1374609-1. FITS 1.50"Ø KO. AND ACCEPTS .60"-1.00"Ø CABLE.
 (1) CABLE GLAND P/N 1374609-2. FITS 1.122"Ø KO. AND ACCEPTS .35"-.70"Ø CABLE.
 (2) GROMMETS P/N 1374608-1. FITS 1.50"Ø KO. MAX. 1.125"Ø OPENING.
 (1) SPLICE TRAY HOLDER KIT P/N 137419-1. (ACCEPTS UP TO 4 SPLICE TRAYS P/N 559433)

4	BLACK	1278755-4
3	BLACK	1278755-3
-	GRAY	1278755-2
-	BLACK	1278755-1
ACCESSORIES	FINISH	PART NO

THIS DRAWING IS A CONTROLLED DOCUMENT FOR AMP INCORPORATED. IT IS SUBJECT TO CHANGE AND THE CONTROLLING ENGINEERING ORGANIZATION SHOULD BE CONTACTED FOR THE LATEST REVISION.		DWN I. GREEN 10APR00 CHK J. HOFFER 10APR00 APVD D. MCCLURE 10APR00	AMP Tyco Electronics Harrisburg, PA 17105-3608
DIMENSIONS: mm [INCHES]	TOLERANCES UNLESS OTHERWISE SPECIFIED: 0 PLC ±0.3 1 PLC ±0.3 2 PLC ±0.3 3 PLC ± 4 PLC ± ANGLES ±	NAME DB 36/72 CHASSIS ASSY	
MATERIAL 1.5mm STL	FINISH SEE TABLE	PRODUCT SPEC - APPLICATION SPEC - WEIGHT -	SIZE A2 CAGE CODE 00779 DRAWING NO. 1278755 RESTRICTED TO - SCALE 1:4 SHEET 1 OF 1 REV A
CUSTOMER DRAWING			