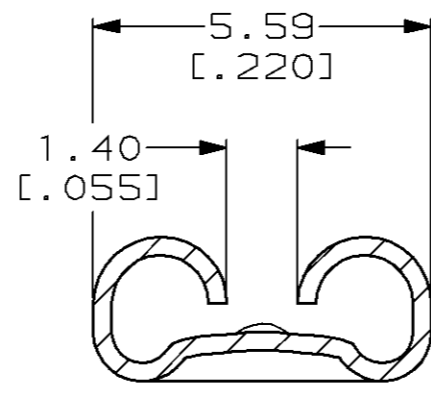
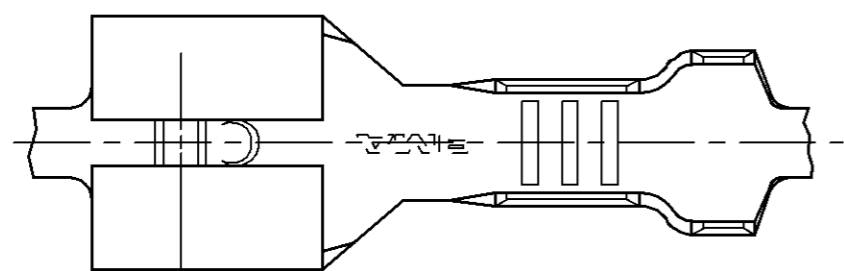
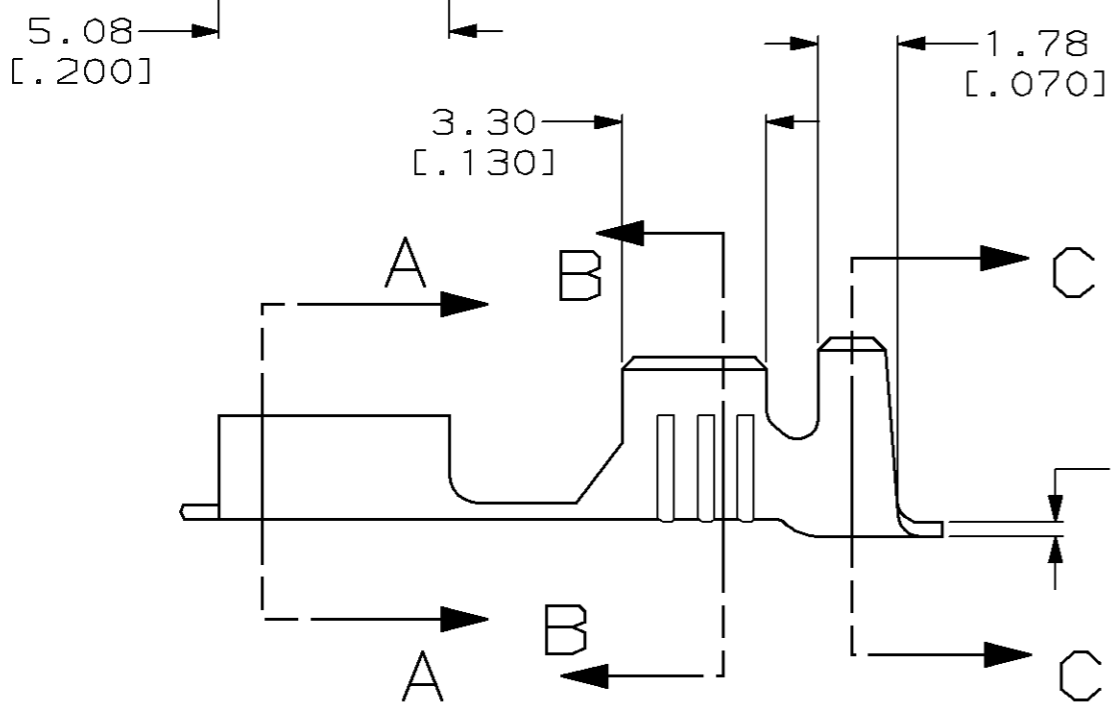


THIS DRAWING IS UNPUBLISHED. RELEASED FOR PUBLICATION, 19 .
 © COPYRIGHT 19 BY AMP INCORPORATED. ALL RIGHTS RESERVED.

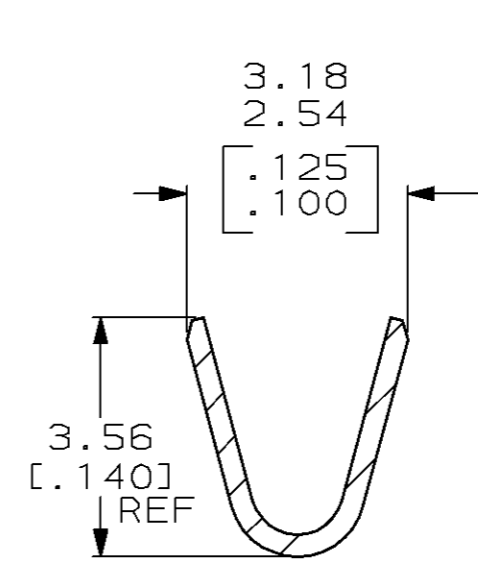
LOC	DIST	REVISIONS			
P	LTR	DESCRIPTION	DATE	DWN	APVD
AF	50	A	REL PER 061A-0429-98	11/25/98	JR SH



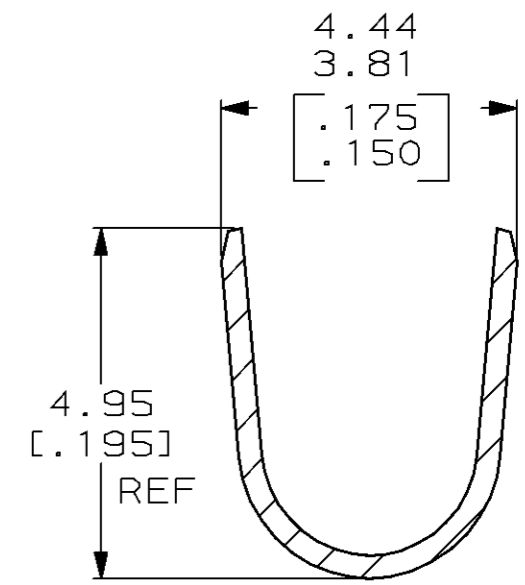
- 1 CONTINUOUS STRIP ON REELS
- 2 MATING TAB THK TO BE 0.81±0.025 [.032±.001].
- 3 WIRE SIZE IS [#20-#16] AWG.
- 4 INSULATION RANGE IS 2.29-3.30 [.090-.130] DIA.



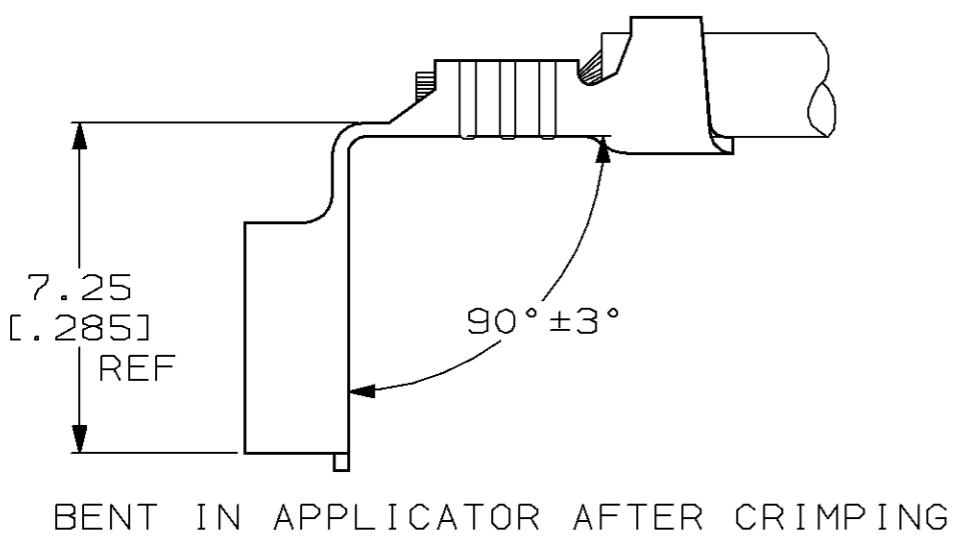
SECTION A-A
SCALE 8:1



SECTION B-B
SCALE 8:1



SECTION C-C
SCALE 8:1



BENT IN APPLICATOR AFTER CRIMPING

1217112-1
PART NO.

THIS DRAWING IS A CONTROLLED DOCUMENT.		DWN	JR RUTH	10/8/98	AMP AMP Incorporated Harrisburg, PA 17105-3608												
DIMENSIONS: MM [INCHES]		CHK	P FORTNEY	10/8/98													
TOLERANCES UNLESS OTHERWISE SPECIFIED:		APVD	P DESANTIS	10/8/98													
<table border="1"> <tr><td>0 PLC</td><td>±-</td></tr> <tr><td>1 PLC</td><td>±-</td></tr> <tr><td>2 PLC</td><td>±0.25 [.010]</td></tr> <tr><td>3 PLC</td><td>±-</td></tr> <tr><td>4 PLC</td><td>±-</td></tr> <tr><td>ANGLES</td><td>±-</td></tr> </table>		0 PLC	±-	1 PLC		±-	2 PLC	±0.25 [.010]	3 PLC	±-	4 PLC	±-	ANGLES	±-	PRODUCT SPEC	-	NAME
0 PLC	±-																
1 PLC	±-																
2 PLC	±0.25 [.010]																
3 PLC	±-																
4 PLC	±-																
ANGLES	±-																
MATERIAL	H04 BRASS	FINISH	-	APPLICATION SPEC	-												
		WEIGHT	-	SIZE	A3												
		CUSTOMER DRAWING		CAGE CODE	00779												
				DRAWING NO	C= 1217112												
				RESTRICTED TO	-												
				SCALE	6:1												
				SHEET	1 OF 1												
				REV	A												