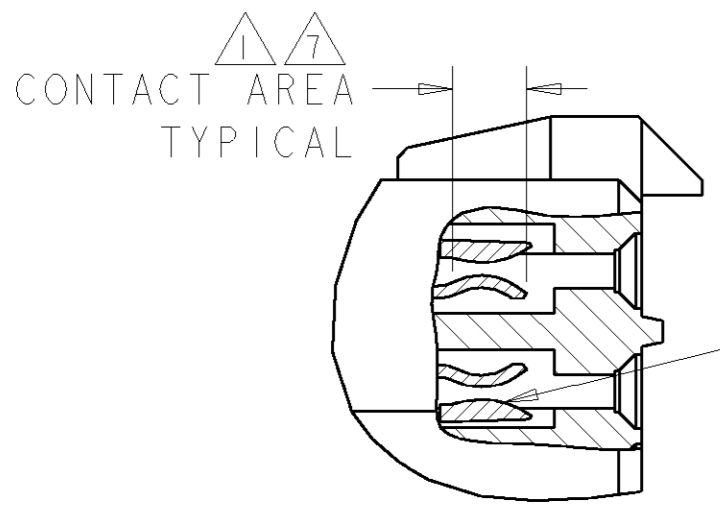


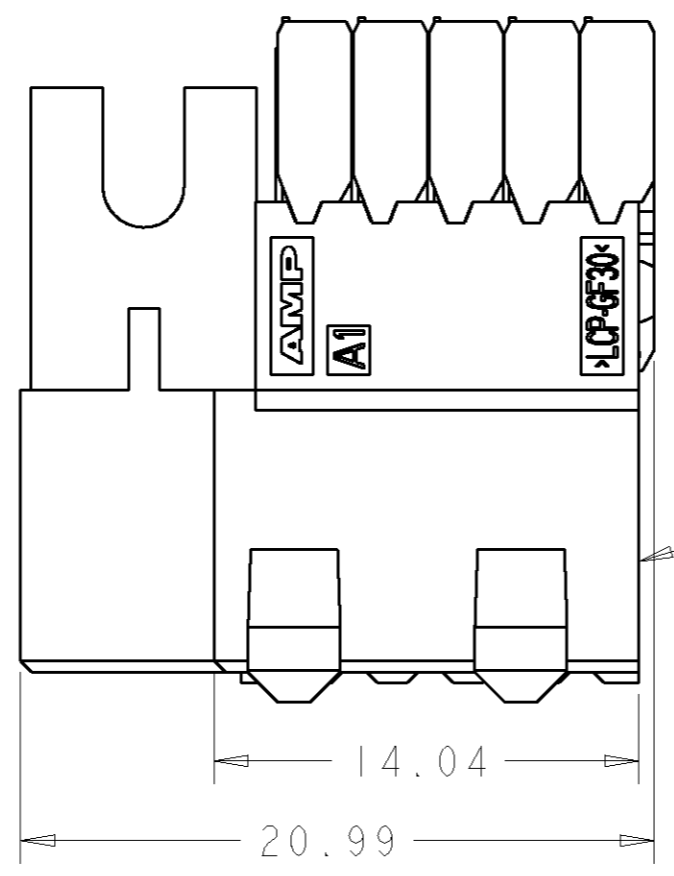
THIS DRAWING IS UNPUBLISHED. RELEASED FOR PUBLICATION 20  
 © COPYRIGHT 20 BY TYCO ELECTRONICS CORPORATION. ALL RIGHTS RESERVED.

LOC	DIST	REVISIONS					
AD	00	P	LTR	DESCRIPTION	DATE	DWN	APVD
		E		REV PER EC 0S12-0236-04	14SEP2004	BC	RP
		EI		REV PER ECO-06-024579	22JAN2007	JRP	RAP



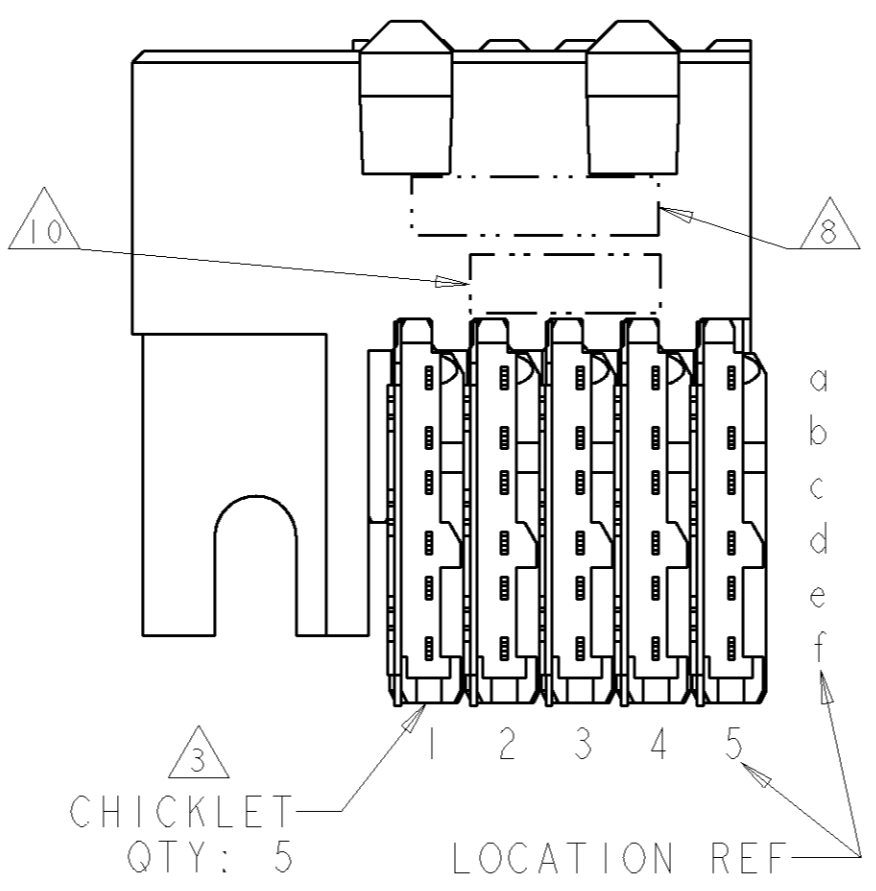
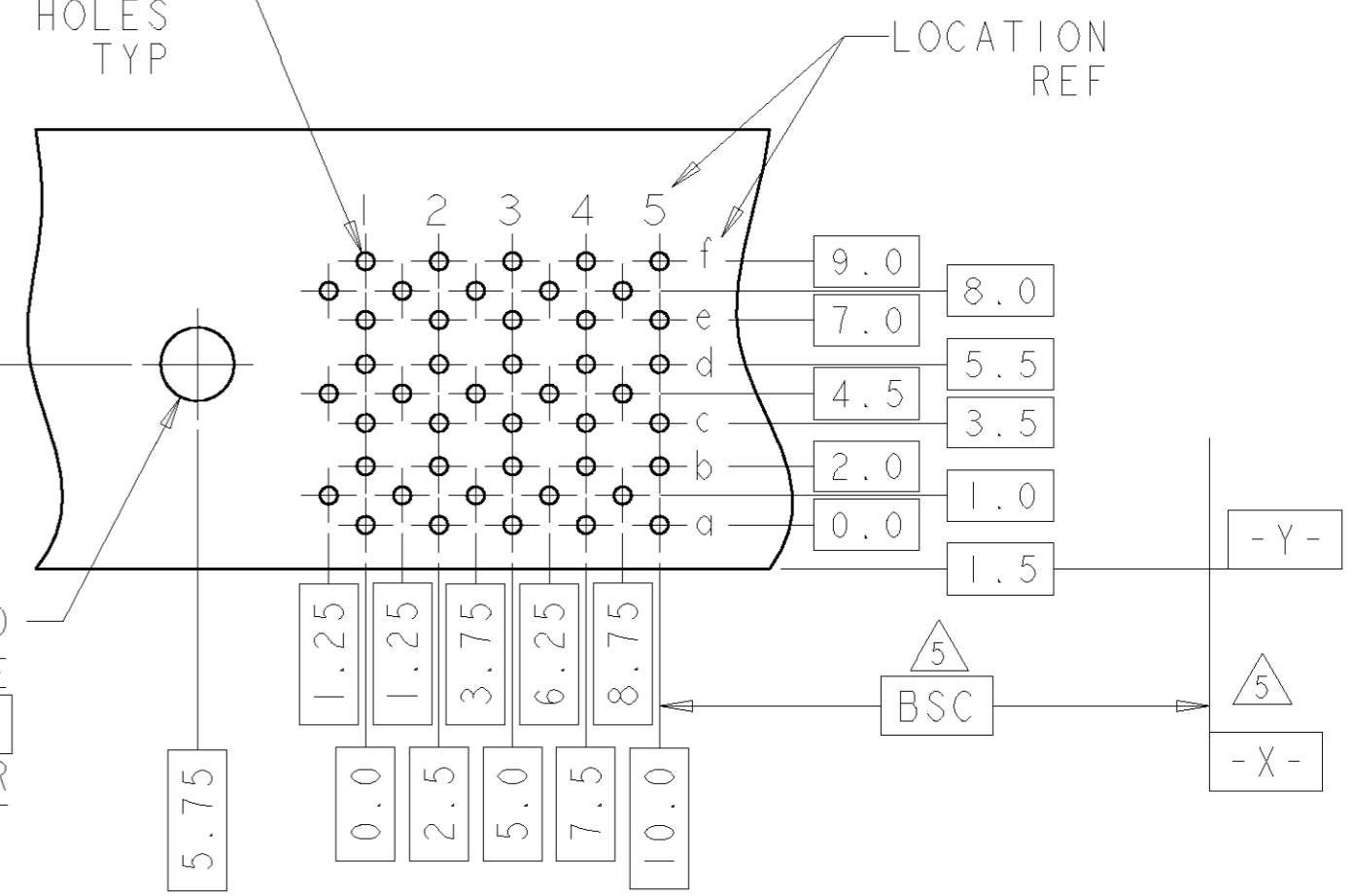
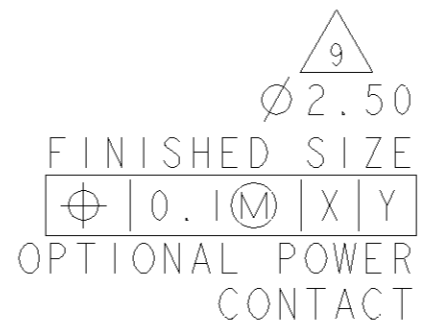
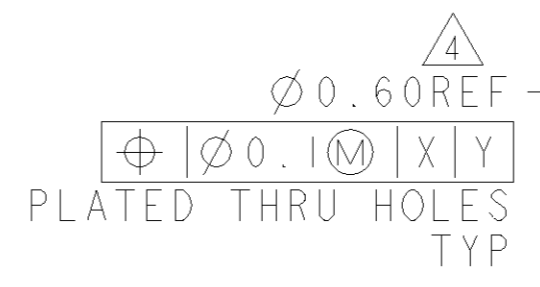
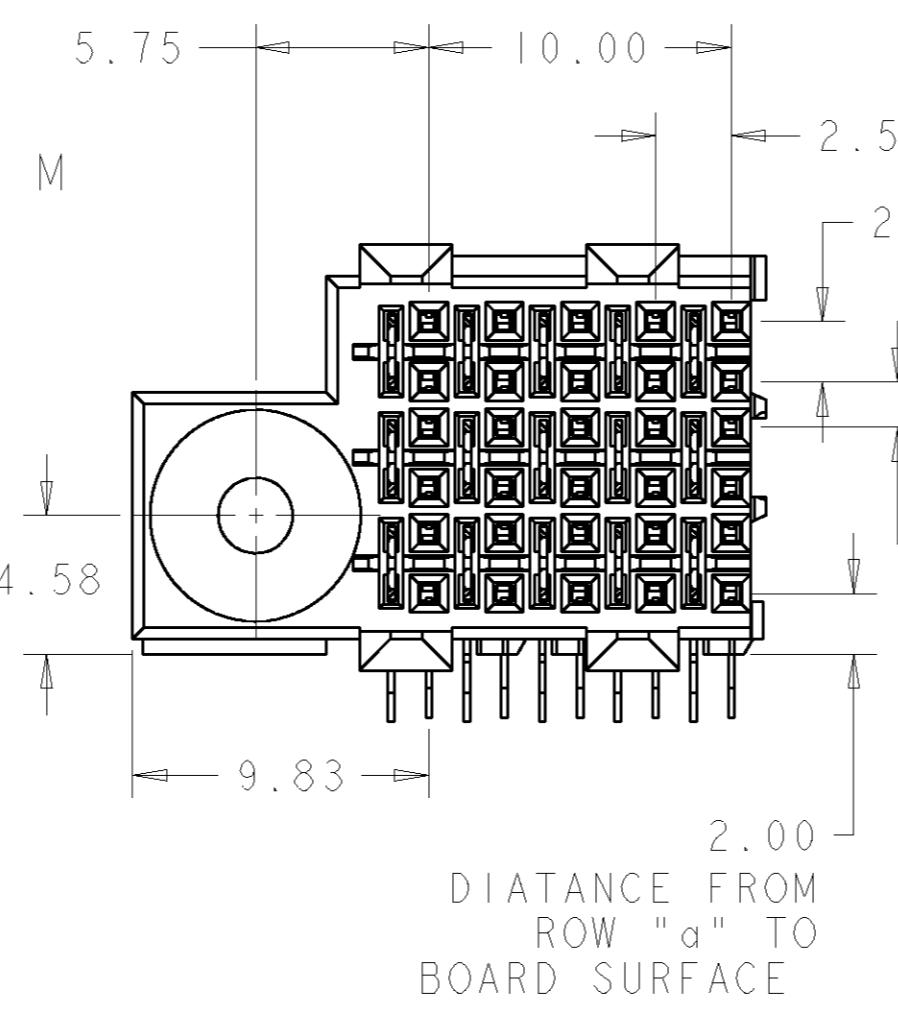
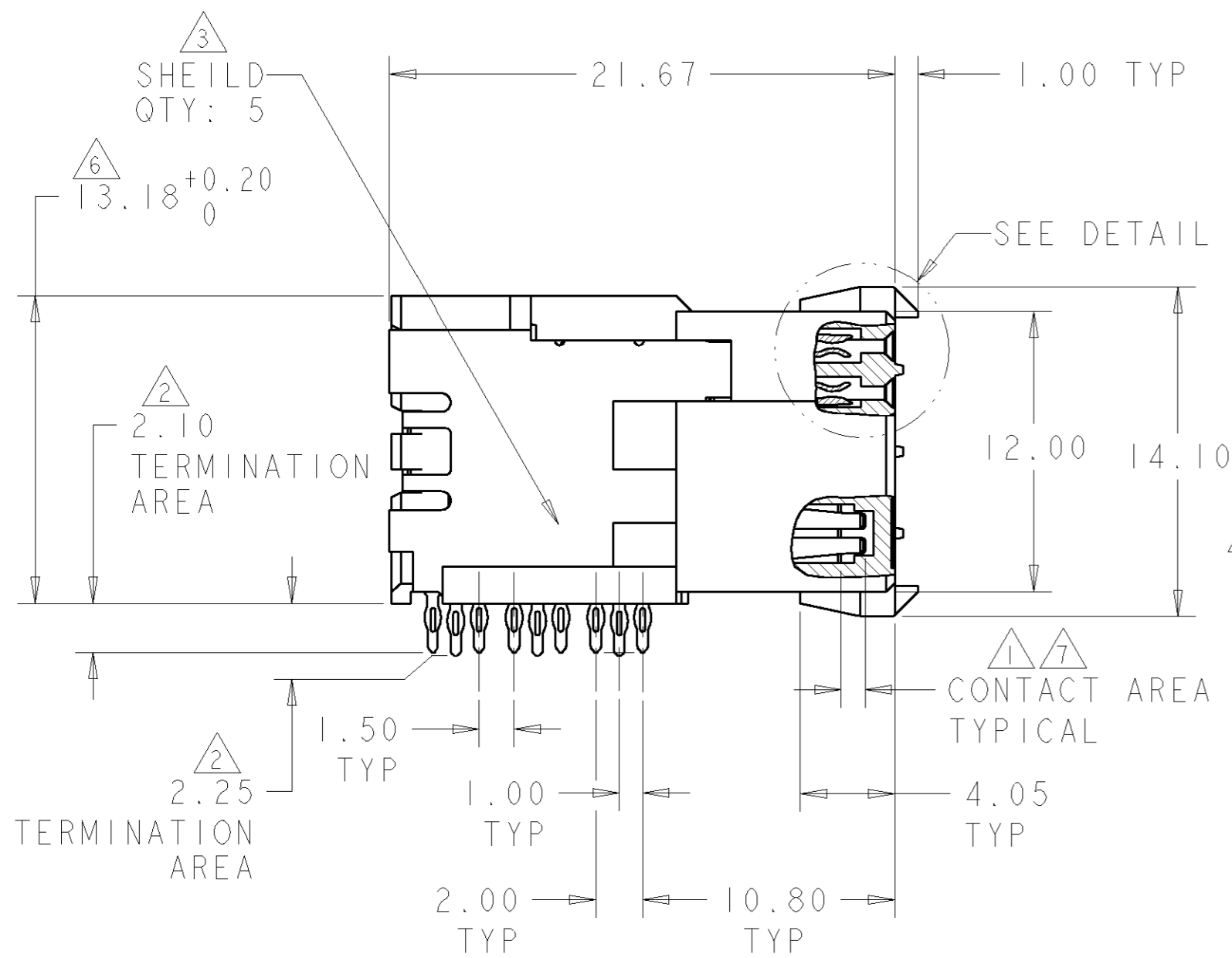
CONTACT QTY: 30

DETAIL M  
SCALE 8:1



HOUSING QTY: 1

- 1 0.76µm MIN GOLD OVER 1.27µm MIN NICKEL OR GOLD FLASH OVER 0.76µm MIN PALLADIUM-NICKEL OVER 1.27µm MIN NICKEL
- 2 0.76µm MIN TIN-LEAD OVER 1.27µm MIN NICKEL
- 3 MATERIAL:  
CONTACT - COPPER ALLOY  
SHIELD - PHOSPHOR BRONZE  
HOUSING - LCP, UL94V-0  
CHICKLET - GLASS FILLED POLYESTER
- 4 REFERENCE APPLICATION SPEC 114-13020 FOR RECOMMENDED THRU HOLE DIAMETER AND PLATING THICKNESSES
- 5 DATUM AND BASIC DIMENSION ESTABLISHED BY CUSTOMER.
- 6 SEATING HEIGHT TO BOARD SURFACE.
- 7 CONTACT AREA LUBRICATED WITH BELLCORE APPROVED LUBRICANT. TECHNICAL REFERENCE: GR-1217-CORE, ISSUE 1, NOVEMBER 1995.
- 8 DATE CODE
- 9 OPTIONAL POWER CONTACT PN 535875-X
- 10 PART NUMBER



THIS DRAWING IS A CONTROLLED DOCUMENT FOR TYCO ELECTRONICS CORPORATION. IT IS SUBJECT TO CHANGE AND THE CONTROLLING ENGINEERING ORGANIZATION SHOULD BE CONTACTED FOR THE LATEST REVISION.		DWN	JCB	18JAN00		AMP Incorporated Harrisburg, PA 17105-3608			
DIMENSIONS: mm		CHK	MDL	17JUL00		NAME RECEPTACLE ASSEMBLY, 30 POSITION LEFT HAND, 6 ROW, DUAL BEAM, Z-PACK HS3			
TOLERANCES UNLESS OTHERWISE SPECIFIED: 0 PLC ± 1 PLC ± 2 PLC ±0.13 3 PLC ±0.050 4 PLC ± ANGLES ±		PRODUCT SPEC	108-1957		SIZE	A2	CAGE CODE	00779	
MATERIAL		APPLICATION SPEC	114-13020		DRAWING NO	120789			
FINISH SOLDER TAIL: 2 CONTACT: 1		WEIGHT	-		RESTRICTED TO	-			
CUSTOMER DRAWING		SCALE		4.1	SHEET		1	OF	1
					REV		E1		