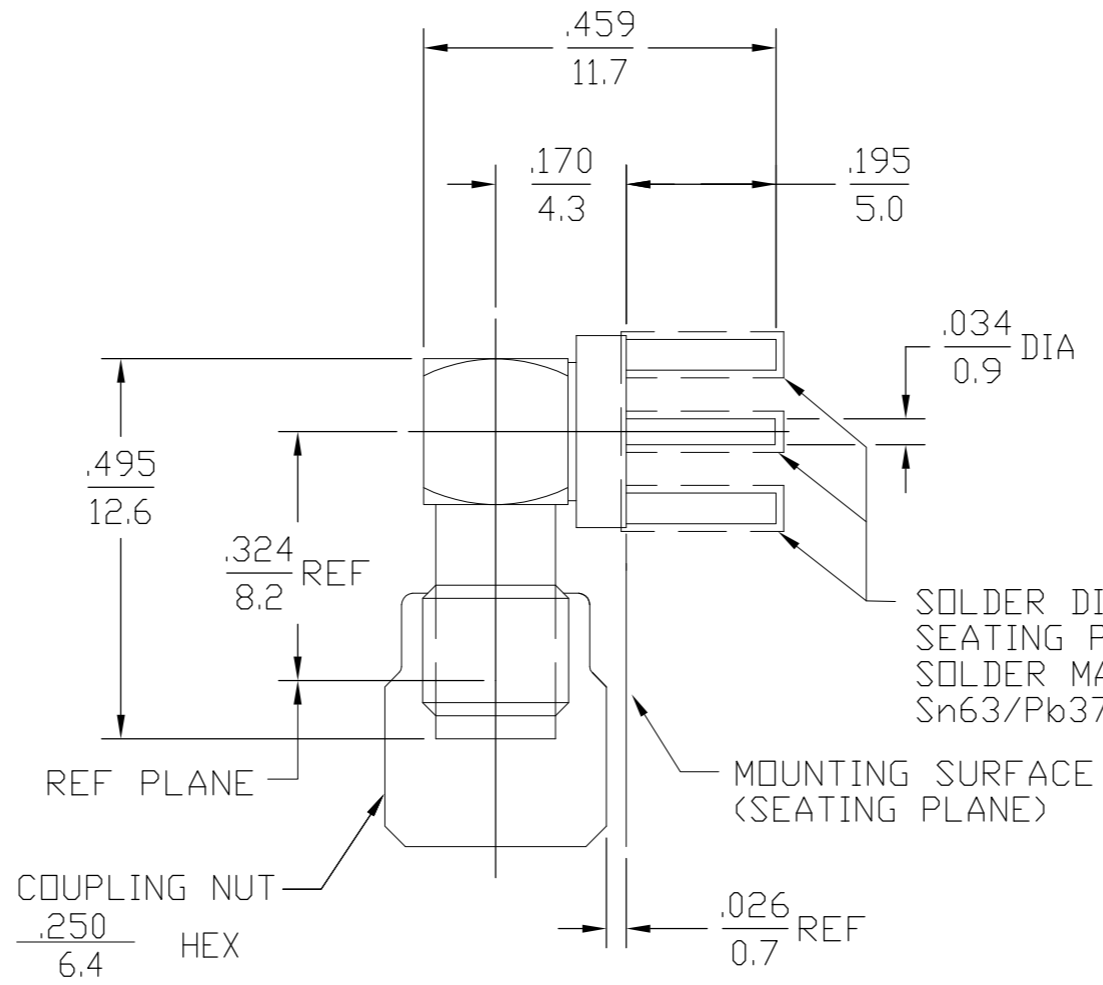


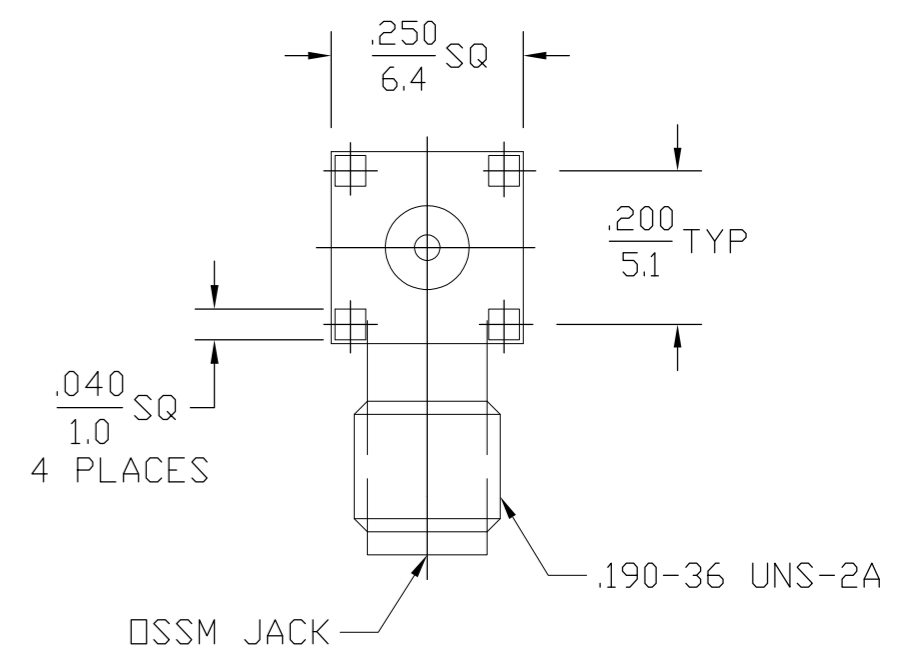
THIS DRAWING IS UNPUBLISHED. RELEASED FOR PUBLICATION  
 © COPYRIGHT BY TYCO ELECTRONICS CORPORATION. ALL INTERNATIONAL RIGHTS RESERVED.

LOC		DIST		REVISIONS			
P	LTR	DESCRIPTION	DATE	DWN	APVD		
B		REV PER ECO-08-018419	26SEP08	PY	DW		

COMPONENT	MATERIAL	FINISH
HOUSING CAP	STAINLESS STEEL PER ASTM-A484 AND ASTM-A582, TYPE 303	GOLD PLATE PER MIL-G-45204
DIELECTRIC	TFE FLUOROCARBON PER ASTM-D-1457	N/A
CENTER CONTACT	BERYLLIUM COPPER PER ASTM B 196, ALLOY C17300, CONDITION H	GOLD PLATE PER MIL-G-45204



SOLDER DIP TO A LEVEL ABOVE THE SEATING PLANE, 5 PLACES, AS SHOWN. SOLDER MAY VARY FROM Sn60/Pb40 TO Sn63/Pb37 PER QQ-S-571.



ELECTRICAL	MECHANICAL	ENVIRONMENTAL
Nominal Impedance (Ohms) <u>50</u>	Interface Dimensions MIL-STD-348A, Fig. 319.2	TEMPERATURE RATING <u>-55°C TO +125°C</u>
Frequency Range (GHz) <u>DC to 18</u>	Recommended Mating	Vibration MIL-STD-202, Method 204, Condition D
Volt Rating (VRMS MAX) @ Sea Level <u>250</u>	Torque <u>7 to 8 In-Lbs</u>	Shock MIL-STD-202, Method 213, Condition I
VSWR <u>N/A</u>	Mating Characteristics:	Thermal Shock MIL-STD-202, Method 107, Condition B, EXCEPT HIGH TEMP SHALL BE +115°C
Insertion Loss (dB MAX) <u>N/A</u>	Insertion (MAX Lbs) <u>3</u>	Moisture Resistance MIL-STD-202, Method 106, No Measurement at High Humidity
RF Leakage (dB MIN) <u>N/A</u>	Withdrawal (MIN Oz) <u>1</u>	Corrosion - MIL-STD-202, Method 101, Condition B, 5% Salt Spray
Corona, 70,000 Ft (VRMS MIN) <u>190</u>	Force to Engage and Disengage (In-Lbs MAX) <u>2</u>	
Dielectric Withstanding Voltage (VRMS MIN) @ Sea Level <u>750</u>	Center Contact Captivation	
Contact Resistance (Milliohms MAX) Center Contact <u>2.0</u>	Axial (Lbs) <u>6</u>	
Outer Contact <u>2.0</u>	Radial (In-Oz) <u>4</u>	
RF High Potential @ Sea Level (VRMS MIN @ 5 MHz) <u>500</u>	Weight (Grams) <u>TBD</u>	
I.R.(Megohms MIN) <u>5000</u>		

WARNING: THIS DOCUMENT CONTAINS TECHNICAL DATA WHOSE EXPORT IS RESTRICTED BY THE ARMS EXPORT CONTROL ACT (TITLE 22, U.S.C. SECTION 2751, ET SEQ.) OR THE EXPORT ADMINISTRATION ACT OF 1979, AS AMENDED (TITLE 50, U.S.C., APP. 2401 ET SEQ.) VIOLATIONS OF THESE EXPORT LAWS ARE SUBJECT TO SEVERE PENALTIES.

1044847-1  
PART NO.

THIS DRAWING IS A CONTROLLED DOCUMENT.		DWN P. YEAGER 26SEP2008	Tyco Electronics Corporation Harrisburg, PA 17105-3608	
DIMENSIONS: INCHES		CHK D. WILSON 26SEP08	NAME OSSM RIGHT ANGLE PRINTED WIRING BOARD JACK - STRAIGHT TERMINAL	
TOLERANCES UNLESS OTHERWISE SPECIFIED:		APVD D. WILSON 26SEP08	PRODUCT SPEC	
0 PLC ± -		APPLICATION SPEC		
1 PLC ± -		SIZE A2 CAGE CODE 00779 DRAWING NO 1044847-1		
2 PLC ± -		RESTRICTED TO		
3 PLC ± .005		SCALE 4:1 SHEET 1 of 1		
4 PLC ± -		REV B		
ANGLES ± 1°		CUSTOMER DRAWING		
FINISH		SCALE 4:1 SHEET 1 of 1		
SEE TABLE		REV B		