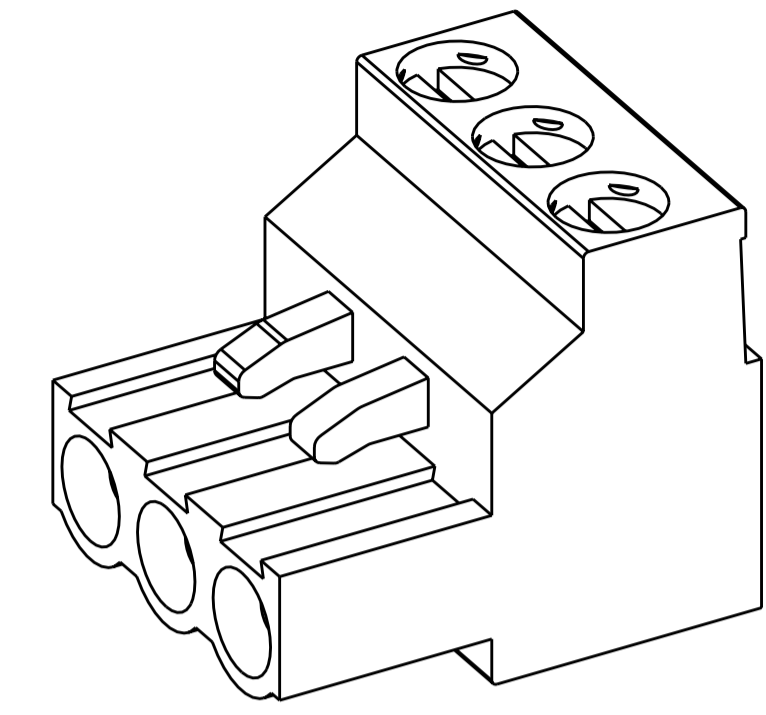
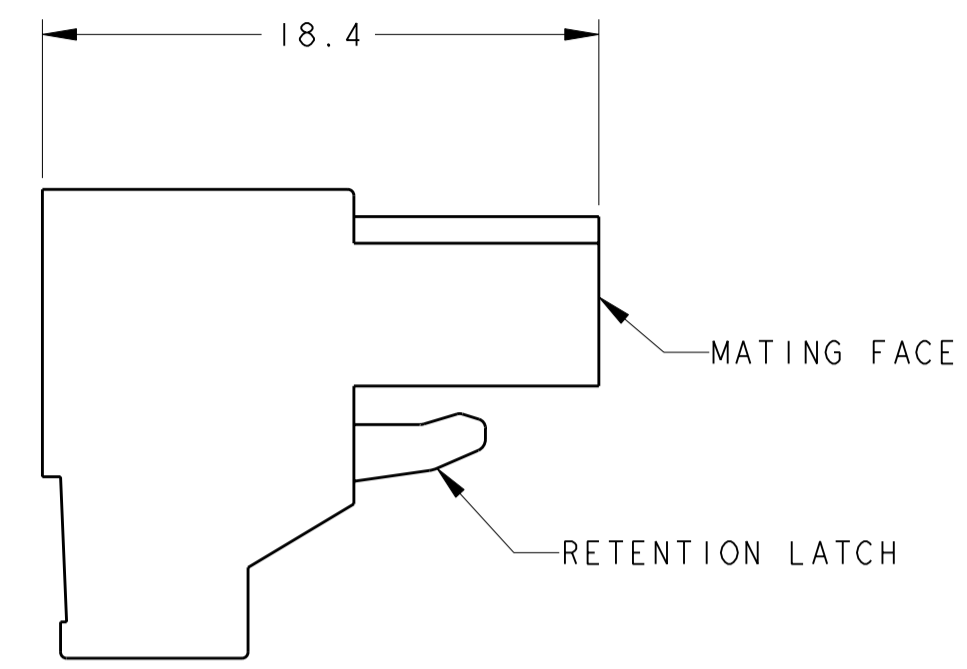
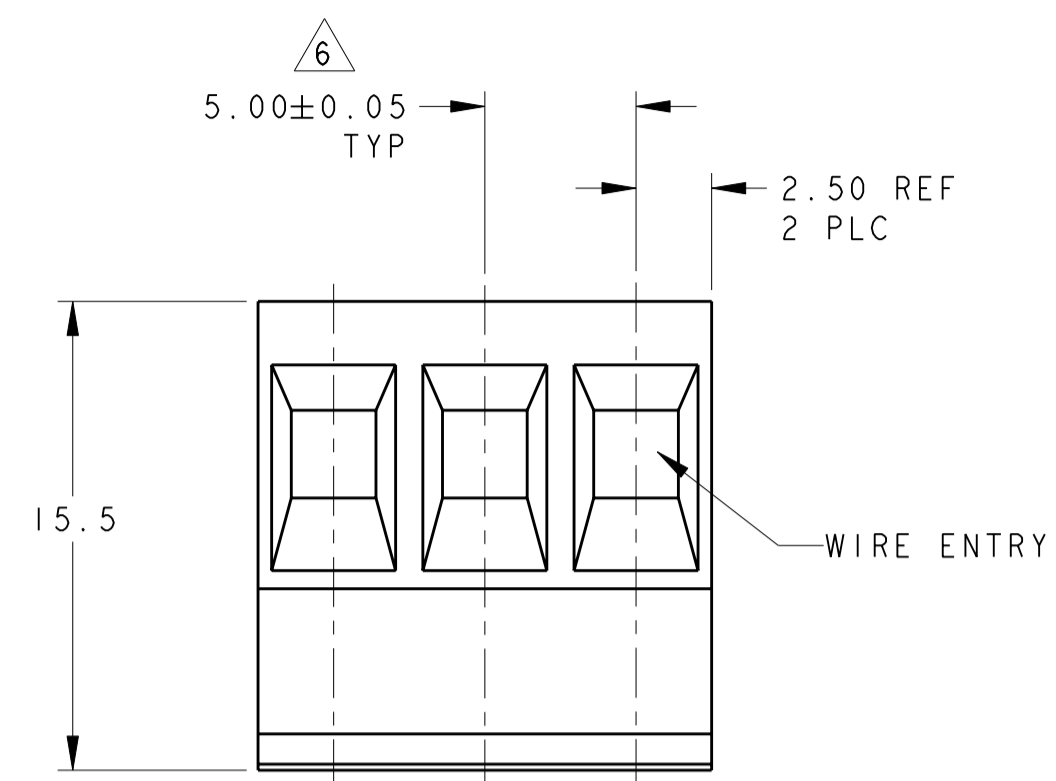
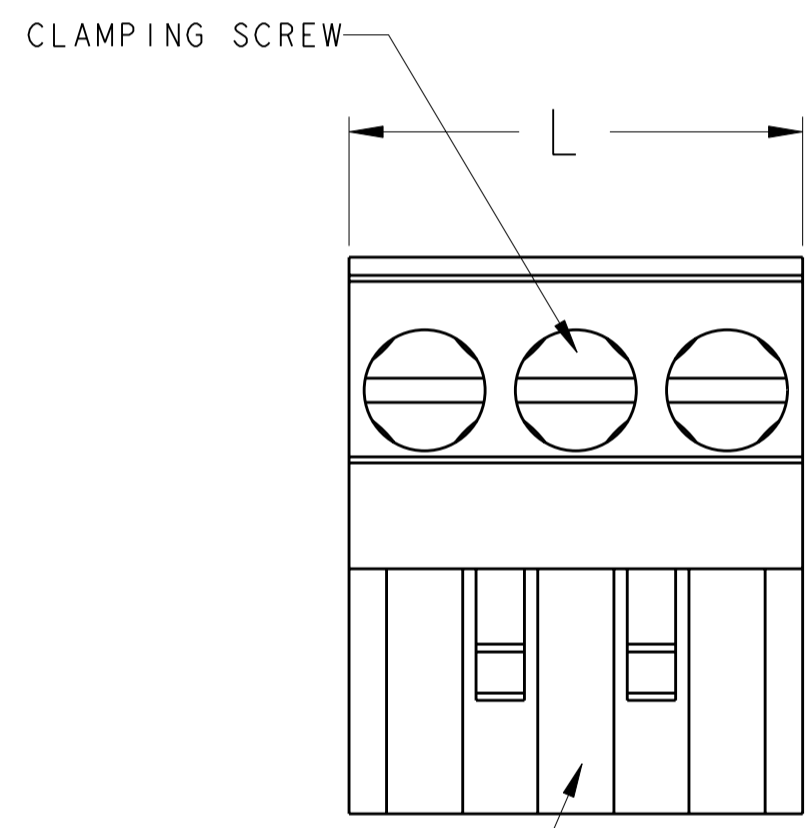


THIS DRAWING IS UNPUBLISHED. RELEASED FOR PUBLICATION 20
 © COPYRIGHT 20 BY TYCO ELECTRONICS CORPORATION. ALL RIGHTS RESERVED.

LOC	DIST	REVISIONS			
P	LTR	DESCRIPTION	DATE	DWN	APVD
FT	0				
D2		REVISED ECO-06-007741	31MAR2006	SW	CR
E		REVISED ECO-06-016794	17JUL2006	SW	CR
E1		REVISED ECO-06-027449	22NOV2006	SW	CR
E2		REVISED PER ECO-07-007106	03APR2007	SS	CR



796641-3 AS SHOWN



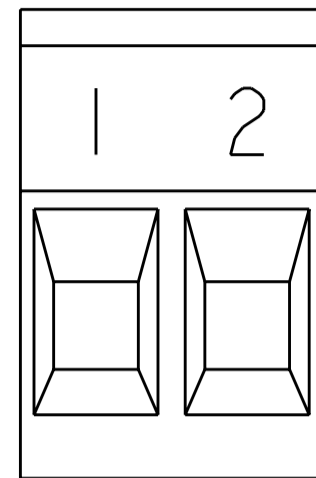
PRELIMINARY	.762µm GOLD		40.0	8	4-796641-4
	TIN	SEE DETAIL T	25.0	5	4-796641-2
PRELIMINARY	TIN	SEE DETAIL S	60.0	12	4-796641-1
PRELIMINARY	TIN	SEE DETAIL R	50.0	10	4-796641-0
PRELIMINARY	TIN	SEE DETAIL P	20.0	4	3-796641-9
	TIN	SEE DETAIL N	40.0	8	3-796641-8
	TIN	SEE DETAIL M	30.0	6	3-796641-6
	TIN	SEE DETAIL L	10.0	2	3-796641-2
	TIN		125.0	25	2-796641-5
	TIN		120.0	24	2-796641-4
	TIN		115.0	23	2-796641-3
	TIN		110.0	22	2-796641-2
	TIN		105.0	21	2-796641-1
	TIN		100.0	20	2-796641-0
	TIN		95.0	19	1-796641-9
	TIN		90.0	18	1-796641-8
	TIN		85.0	17	1-796641-7
	TIN		80.0	16	1-796641-6
	TIN		75.0	15	1-796641-5
	TIN		70.0	14	1-796641-4
	TIN		65.0	13	1-796641-3
	TIN		60.0	12	1-796641-2
	TIN		55.0	11	1-796641-1
	TIN		50.0	10	1-796641-0
	TIN		45.0	9	796641-9
	TIN		40.0	8	796641-8
	TIN		35.0	7	796641-7
	TIN		30.0	6	796641-6
	TIN		25.0	5	796641-5
	TIN		20.0	4	796641-4
	TIN		15.0	3	796641-3
	TIN		10.0	2	796641-2
	CONTACT FINISH	MARKING	DIM L	NO OF POSN	PART NUMBER

- 1 MATERIALS AND FINISH:
 HOUSING: PA 6-6, UL 94-V0, COLOR: BLACK.
 CLAMP: BRASS, NICKEL PLATED.
 DOUBLE SIDE CONTACT SPRING: PHOSPHOR BRONZE, FINISH: SEE TABLE.
 CLAMPING SCREW: M3, BRASS, NICKEL PLATED.
2. END-TO-END STACKABLE WITHOUT LOSS OF CENTERLINE SPACING.
3. WIRE SIZE RANGE: 12-30 AWG.
4. RECOGNIZED UNDER THE COMPONENT PROGRAM OF UNDERWRITERS LABORATORIES INC. FILE N° E60677.
5. IMQ CERTIFICATE WITH SURVEILLANCE IN CONFORMITY WITH IEC 998-1/998-2-1.
- 6 NOT CUMULATIVE TOLERANCE
7. BUCHANAN LOGO TO APPEAR ON HOUSING, LOCATION OPTIONAL WHERE SPACE PERMITS.
- 8 INK MARKING: WHITE COLOR
 NUMERICAL SEQUENCE: FROM LEFT TO RIGHT.

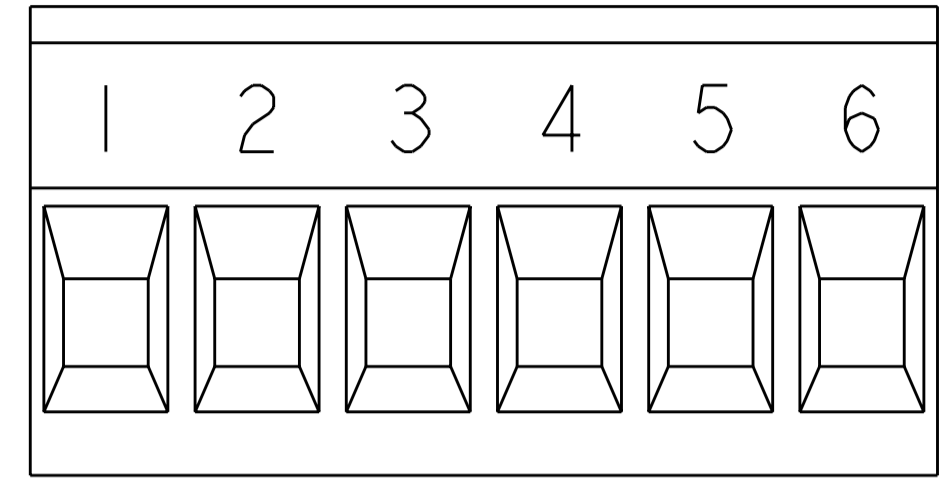
THIS DRAWING IS A CONTROLLED DOCUMENT FOR TYCO ELECTRONICS CORPORATION. IT IS SUBJECT TO CHANGE AND THE CONTROLLING ENGINEERING ORGANIZATION SHOULD BE CONTACTED FOR THE LATEST REVISION.		DWN S. WELDON 18OCT2000	tyco Tyco Electronics Harrisburg, PA 17105-3608	
DIMENSIONS: mm		CHK D. BIEVENOUR 18OCT2000	NAME TERMI-BLOK PLUG, STACKING, 5.00mm PITCH	
TOLERANCES UNLESS OTHERWISE SPECIFIED: 0 PLC ±- 1 PLC ±0.2 2 PLC ±- 3 PLC ±- 4 PLC ±- ANGLES ±- FINISH ±-		APVD D. BIEVENOUR 18OCT2000	RESTRICTED TO	
MATERIAL		PRODUCT SPEC -	SIZE A2	CAGE CODE 00779
		APPLICATION SPEC -	DRAWING NO G-796641	SCALE 3:1
		WEIGHT -	SHEET 1 OF 2	
		CUSTOMER DRAWING	REV E2	

THIS DRAWING IS UNPUBLISHED. RELEASED FOR PUBLICATION 20
 © COPYRIGHT 20 BY TYCO ELECTRONICS CORPORATION. ALL RIGHTS RESERVED.

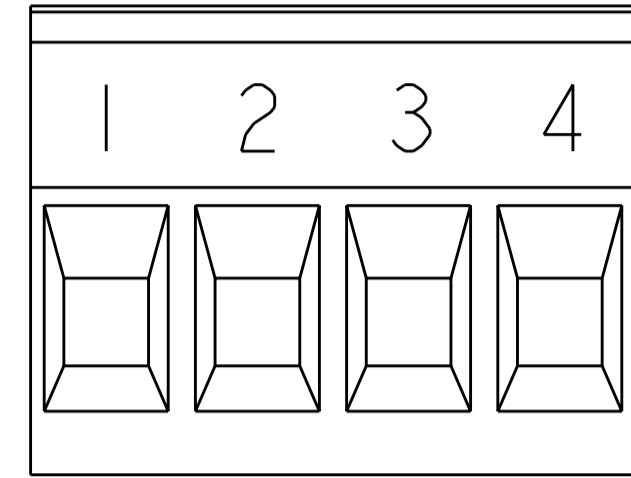
LOC		DIST		REVISIONS			
P	LTR	DESCRIPTION	DATE	DWN	APVD		
-	-	SEE SHEET 1	-	-	-		



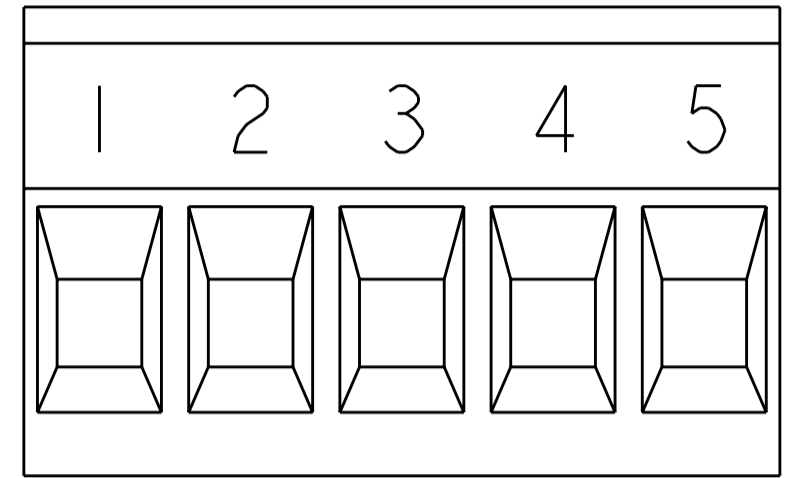
DETAIL L
SCALE 4:1 \triangle 8



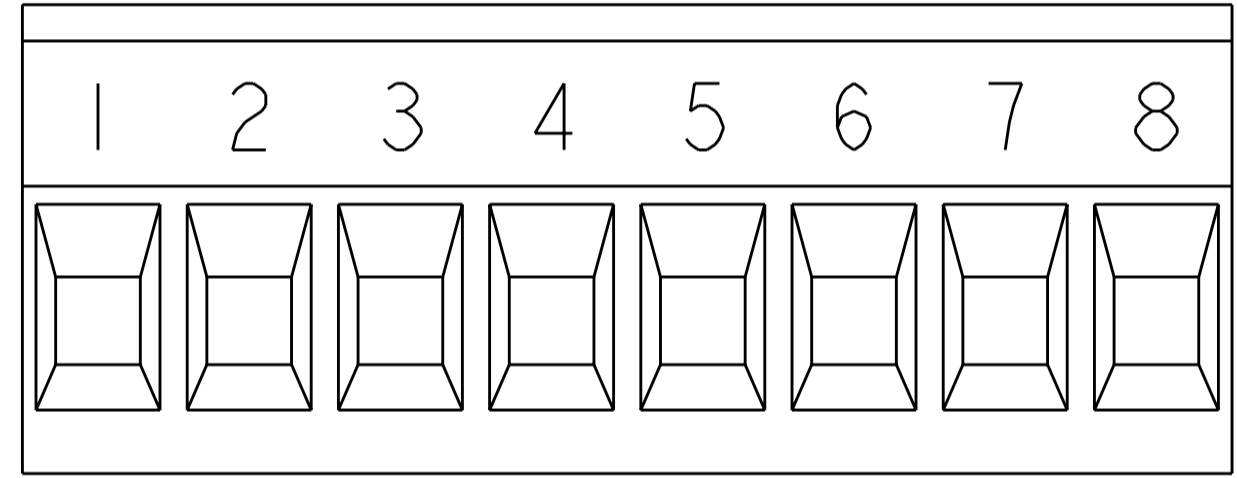
DETAIL M
SCALE 4:1 \triangle 8



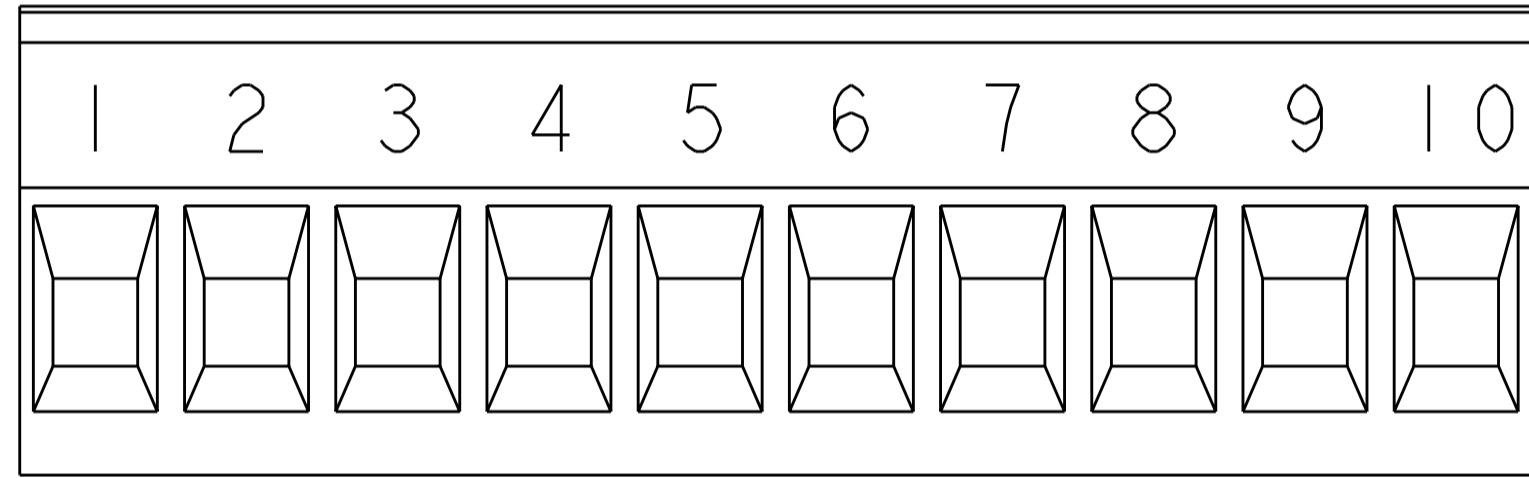
DETAIL P
SCALE 4:1 \triangle 8



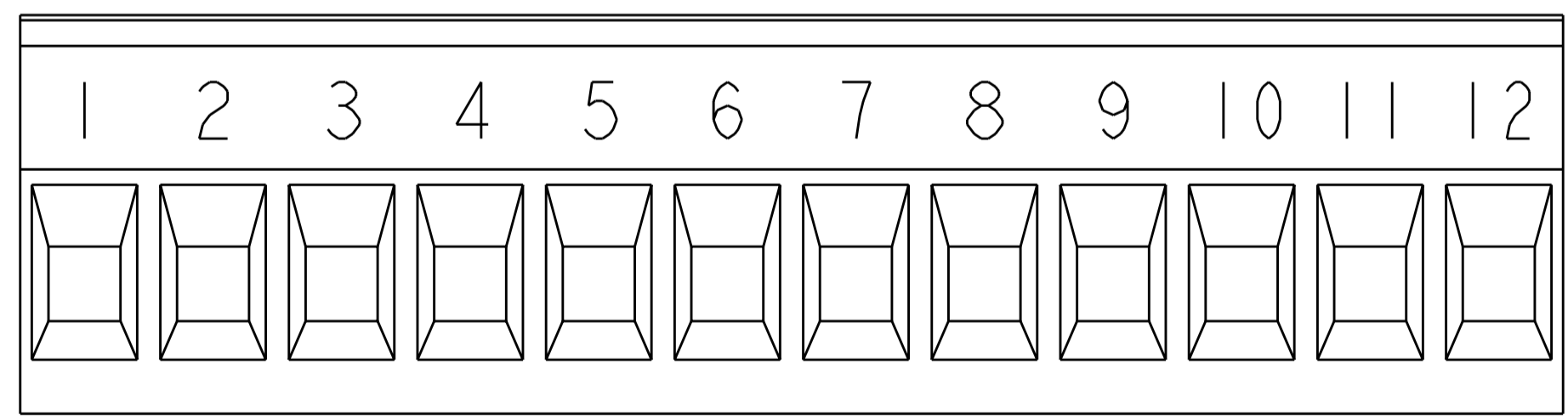
DETAIL T
SCALE 4:1 \triangle 8



DETAIL N
SCALE 4:1 \triangle 8



DETAIL R
SCALE 4:1 \triangle 8



DETAIL S
SCALE 4:1 \triangle 8

<small>THIS DRAWING IS A CONTROLLED DOCUMENT FOR TYCO ELECTRONICS CORPORATION. IT IS SUBJECT TO CHANGE AND THE CONTROLLING ENGINEERING ORGANIZATION SHOULD BE CONTACTED FOR THE LATEST REVISION.</small>		DWN S. WELDON 18OCT2000 CHK D. BIEVENOUR 18OCT2000 APVD D. BIEVENOUR 18OCT2000	tyco Tyco Electronics Harrisburg, PA 17105-3608
DIMENSIONS: mm	TOLERANCES UNLESS OTHERWISE SPECIFIED: 0 PLC ± 1 PLC ±0.2 2 PLC ± 3 PLC ± 4 PLC ± ANGLES ± FINISH -	PRODUCT SPEC - APPLICATION SPEC - WEIGHT -	NAME TERMI-BLOK PLUG, STACKING, 5.00mm PITCH
MATERIAL -	CUSTOMER DRAWING	SCALE 3:1	SHEET 2 OF 2 REV E2