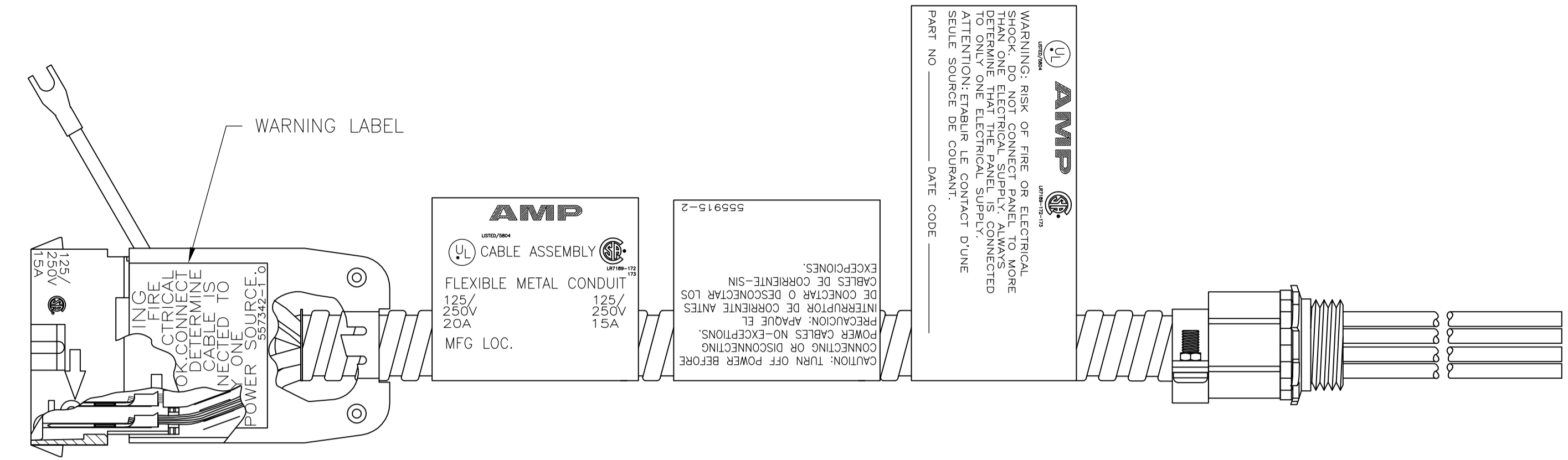
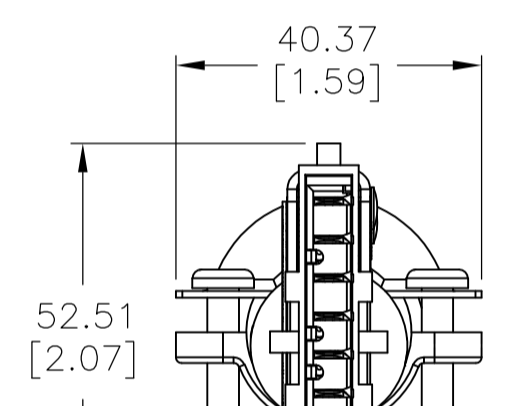
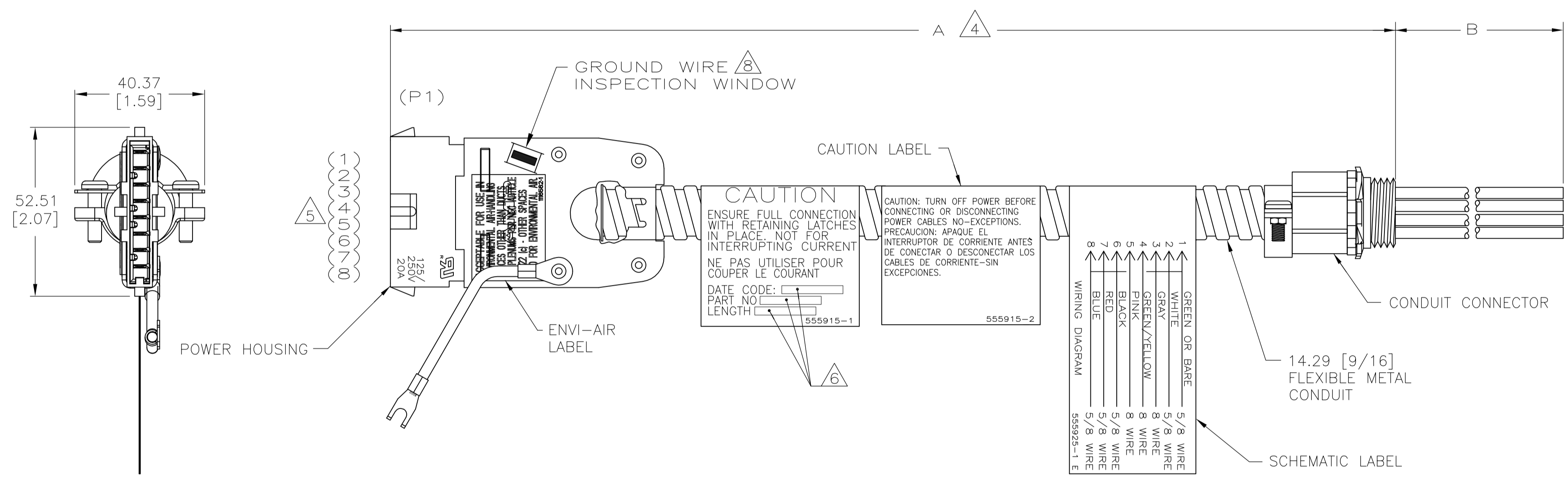
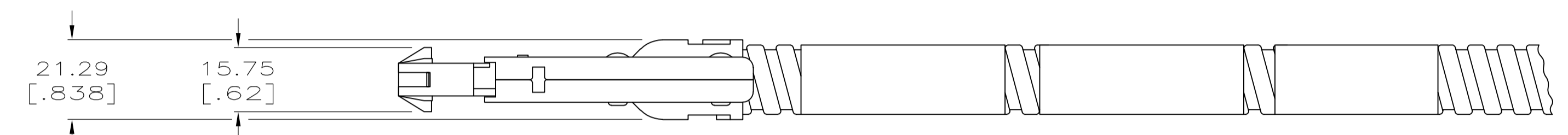


LOC	DIST	REVISIONS			
F	LTR	DESCRIPTION	DATE	DNW	APVD
G		REV-EC 0B40-0126-04	20MAY04	LH	FL
H		REV-ECO-07-009188	23APR07	LH	FL
J		REV-ECO-07-021264	10OCT07	LH	SJ



- 1 DIMENSIONS SHOWN ARE MAXIMUM UNLESS OTHERWISE SPECIFIED.
- 2 CABLE ASSEMBLY IS WIRED PER WIRING DIAGRAM.
- 3 MATERIAL:  
 CONNECTOR HOUSINGS - POLYCARBONATE, UL 94V-O, RATED, BLACK.  
 STRAIN RELIEFS - CARBON STEEL WITH NICKEL PLATING 5.08 μm [.000200] MINIMUM THICK.  
 CONTACTS - COPPER ALLOY WITH SILVER PLATED STRIP 3.81 μm [.000150] MINIMUM THICK.
- 4 DIMENSION A SHALL BE MEASURED WITH CONDUIT IN THE RELAXED POSITION.
- 5 DESIGNATIONS IN PARENTHESES ( ) ARE FOR REFERENCE ONLY.
- 6 MANUFACTURING LOCATION, DATE CODE, PART NUMBER AND LENGTH SHALL BE INK STAMPED WHERE INDICATED.
- 7 APPLICATION: AMPINERGY™ MODULAR POWER DISTRIBUTION SYSTEM, A MANUFACTURED WIRING SYSTEM.
- 8 USE GROUND WIRE INSPECTION WINDOW TO VERIFY BONDING AND GROUNDING CONDUCTOR.



Wire No.	Wire Size	Color
1 (P1)	12 AWG	GREEN OR BARE
2	10 AWG	WHITE
3	10 AWG	GRAY
4	12 AWG	GREEN/YELLOW
5	12 AWG	PINK
6	12 AWG	BLACK
7	12 AWG	RED
8	12 AWG	BLUE

WIRING DIAGRAM 8 WIRE

Length	Dimensions		Part No.
	MIN.	MAX.	
457.20	469.90	[18.00 - 18.50]	1-558058-5
609.60	622.30	[24.00 - 24.50]	1-558058-4
2438.40	2463.80	[96.00 - 97.00]	1-558058-3
7620.00	7696.20	[300.00 - 303.00]	1-558058-2
1524.00	1543.10	[60.00 - 60.75]	1-558058-1
406.40	419.10	[16.00 - 16.50]	1-558058-0
1828.80	1841.50	[72.00 - 72.50]	558058-9
1219.20	1231.90	[48.00 - 48.50]	558058-8
1524.00	1536.70	[60.00 - 60.50]	558058-7
508.00	520.70	[20.00 - 20.50]	558058-6
1016.00	1028.70	[40.00 - 40.50]	558058-5
914.40	927.10	[36.00 - 36.50]	558058-4
1143.00	1155.70	[45.00 - 45.50]	558058-3
3937.00	3987.80	[155.00 - 157.00]	558058-2
15240.00	15316.20	[600.00 - 603.00]	558058-1

THIS DRAWING IS A CONTROLLED DOCUMENT.

DIMENSIONS: mm [INCHES]

TOLERANCES UNLESS OTHERWISE SPECIFIED:

0 PLC	±	1
1 PLC	±	1
2 PLC	±	1
3 PLC	±	1
4 PLC	±	1
ANGLES	±	1

MATERIAL: - FINISH: -

THIS DRAWING IS A CONTROLLED DOCUMENT.

APPROVED: F. LINCOLN

DATE: 20MAY04

NAME: CABLE ASSEMBLY, POWER ENTRY 8 WIRE, 10 AWG NEUTRAL

SIZE: A1

SCALE: 1:1

SHEET: 1 OF 1

REV: J