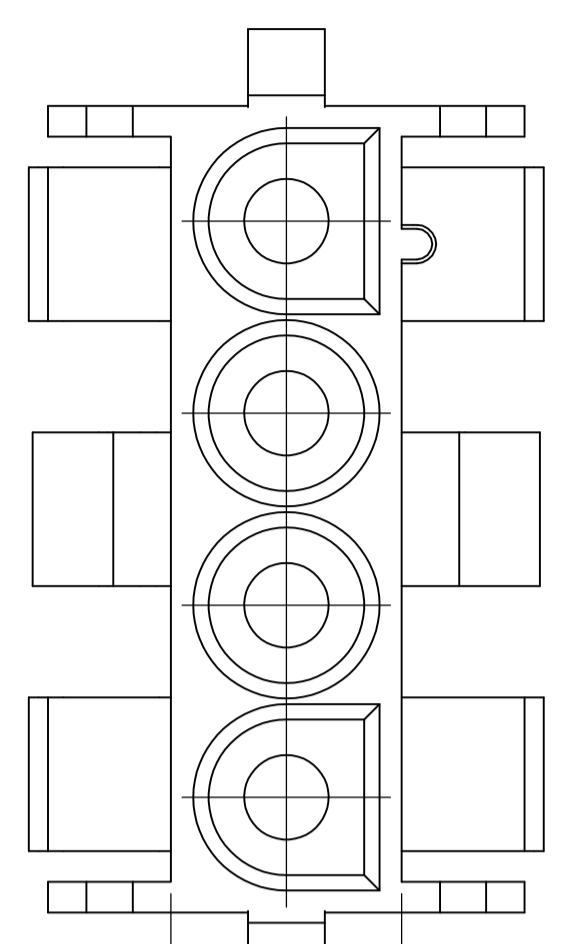
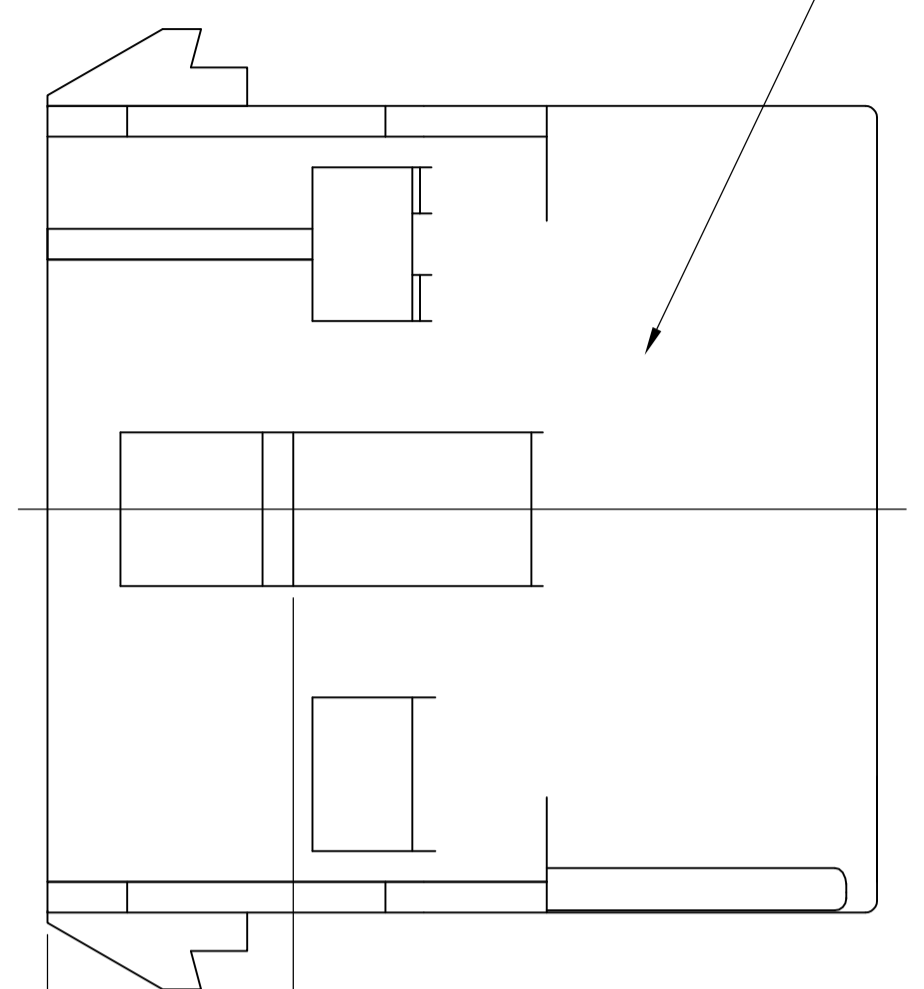


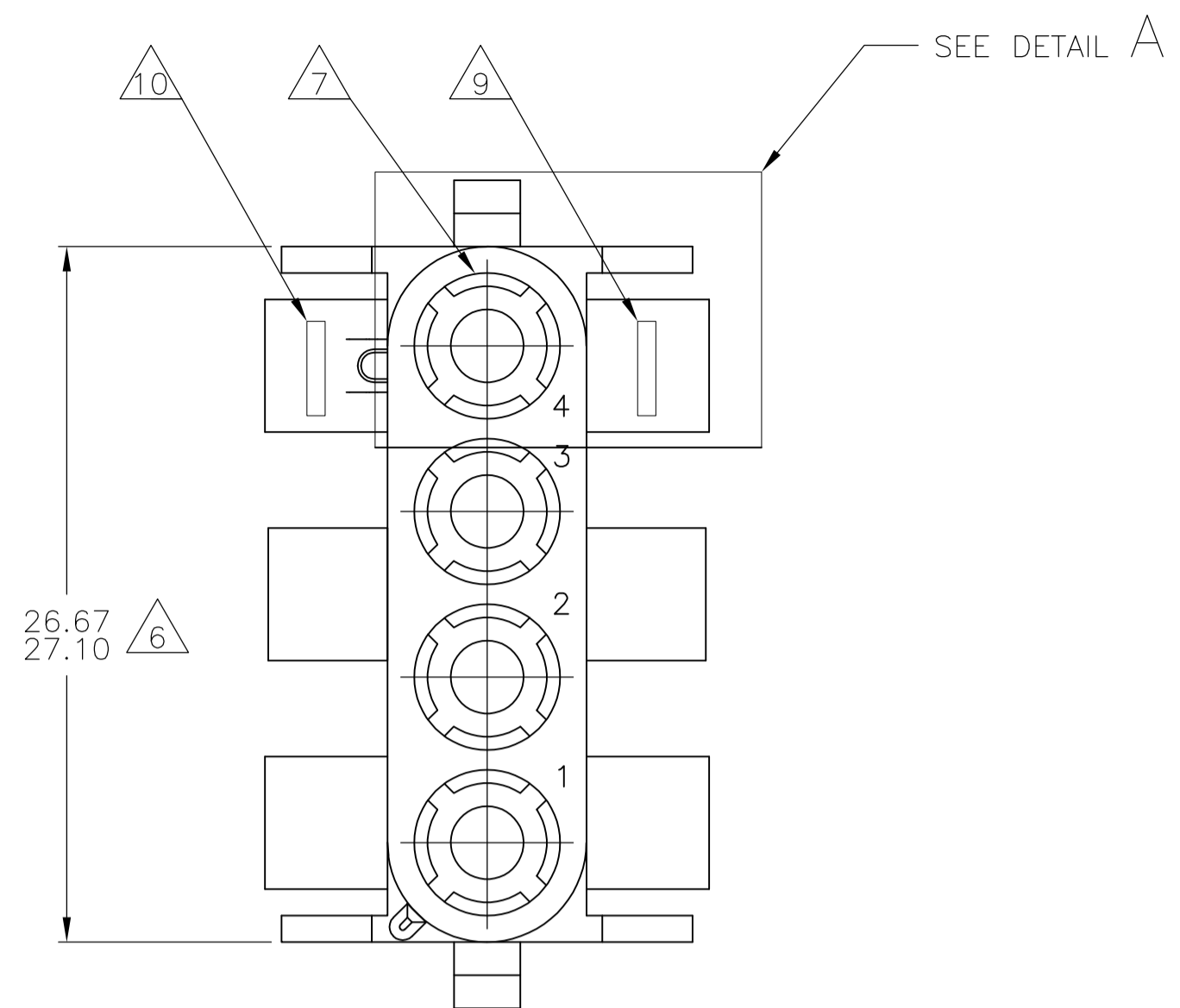
LOC		DIST		REVISIONS			
P	LTR	DESCRIPTION	DATE	DMN	APVD		
AM	ECO 06 013896		31AUG06	BSV	GSR		
AM1	REVISED PER ECO-09-021826		07SEP09	KK	AEG		



7.62
 △6



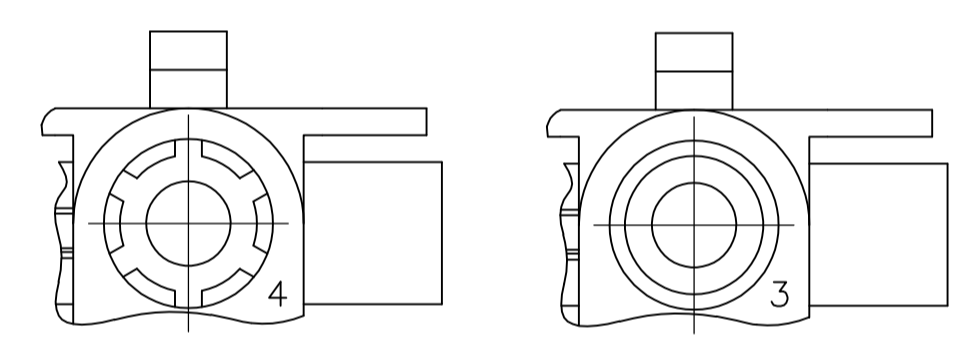
8.13±0.25



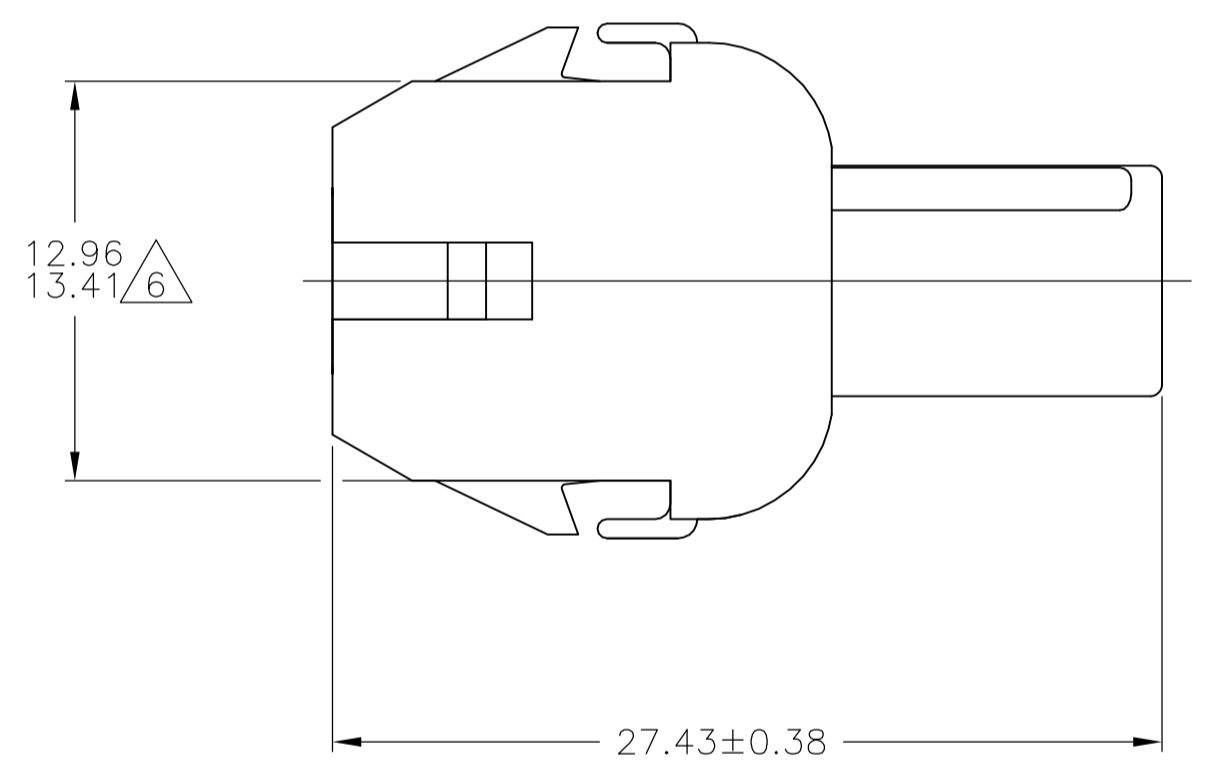
26.67
 27.10
 △6

SEE DETAIL A

- MATES WITH APPROPRIATE UNIVERSAL MATE-N-LOK™ PLUG.
- RECOMMENDED PANEL THICKNESS 0.76 - 2.29.
- PANEL MUST BE PUNCHED SO THAT THE HOUSING ENTERS THE PANEL IN THE SAME DIRECTION AS THE PUNCH.
- △4 OPTIONAL FOR KEYING HOUSING IN PANEL.
- △5 CIRCUIT NUMBER 1 LOCATION.
- △6 UPPER DIMENSION REPRESENTS POTENTIAL MAXIMUM GROWTH DUE TO MOISTURE ABSORPTION.
- △7 FOUR RIBS EQUALLY SPACED, NO SPECIFIC ORIENTATION. NO RIBS OR SIX RIBS EQUALLY SPACED, NO SPECIFIC ORIENTATION, OPTIONAL.
- △8 UNDERWRITERS RECOGNIZED COMPONENT LOGO AND CSA CERTIFICATION LOGO TO BE LOCATED ONCE EACH ON SIDE OF HOUSING.
- △9 MANUFACTURING LOCATION ID (OPTIONAL).
- △10 TRADEMARK LOCATION (AMP OR TYCO).
- △11 OBSOLETE PARTS: OBSOLETE CIS STREAMLINING PER D.RENAUD/D.SINISI

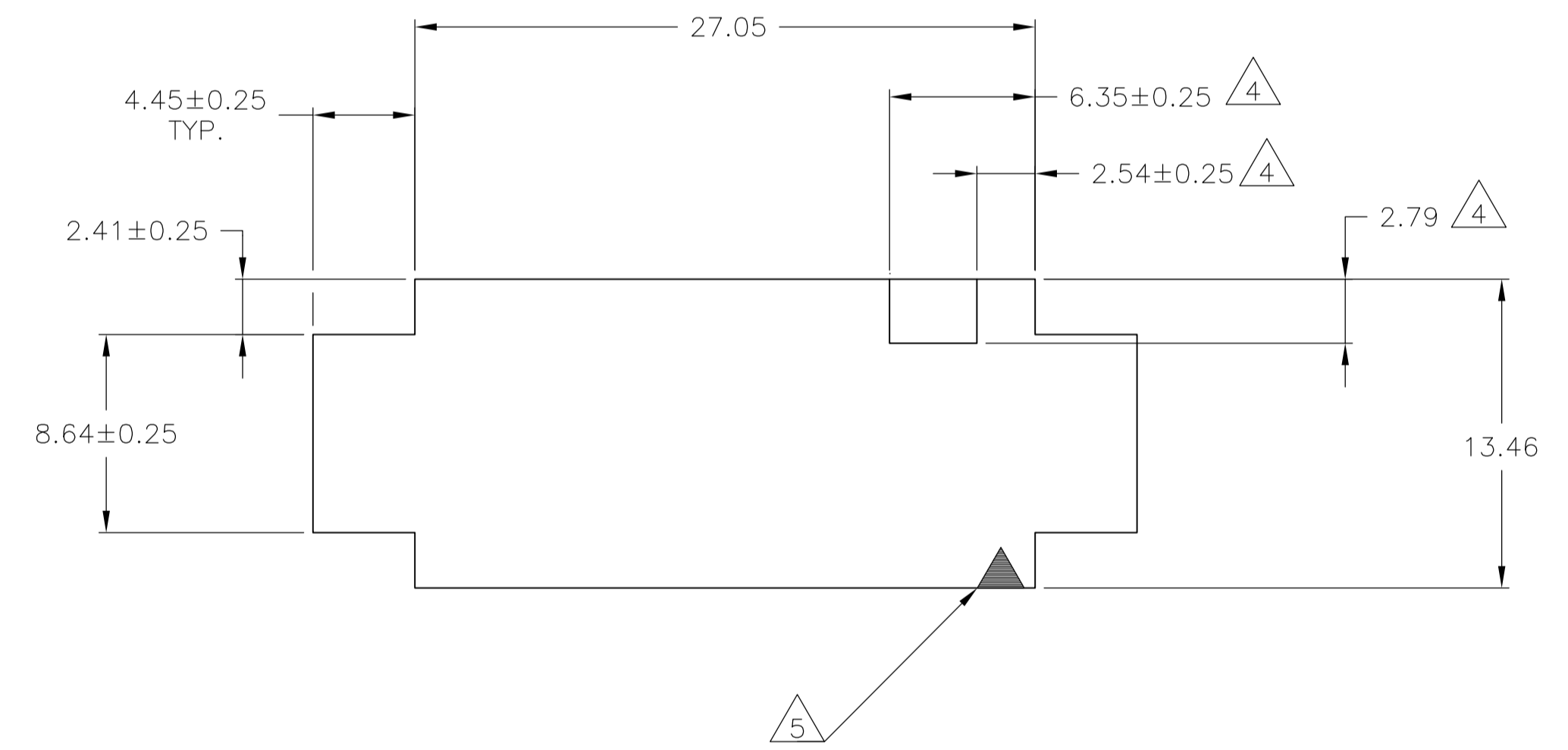


DETAIL A
 OPTIONAL CONSTRUCTIONS

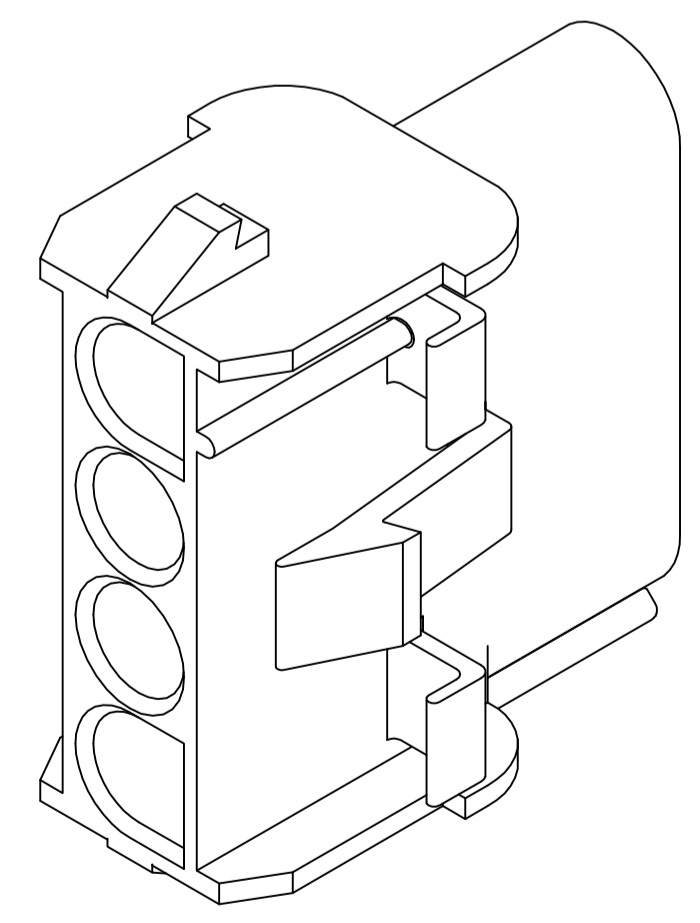


12.96
 13.41
 △6

27.43±0.38



RECOMMENDED PANEL CUT OUT

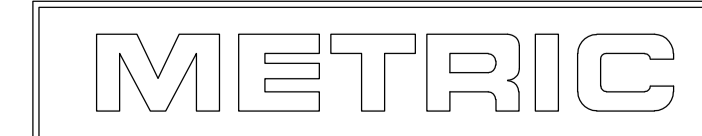


3-DIMENSIONAL MODEL
 NTS

7.62	.300	27.43	1.080
6.35	.250	27.10	1.067
4.45	.175	27.05	1.065
2.79	.110	26.67	1.050
2.54	.100	13.46	.530
2.41	.095	13.41	.528
2.29	.090	12.96	.510
0.76	.030	8.64	.340
0.38	.015	8.13	.320
MM	IN	MM	IN

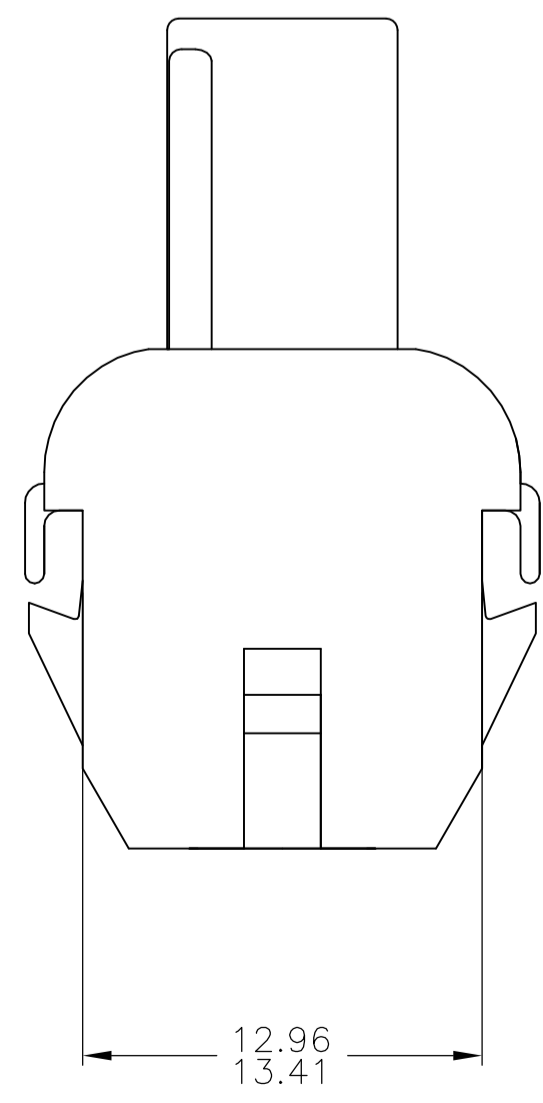
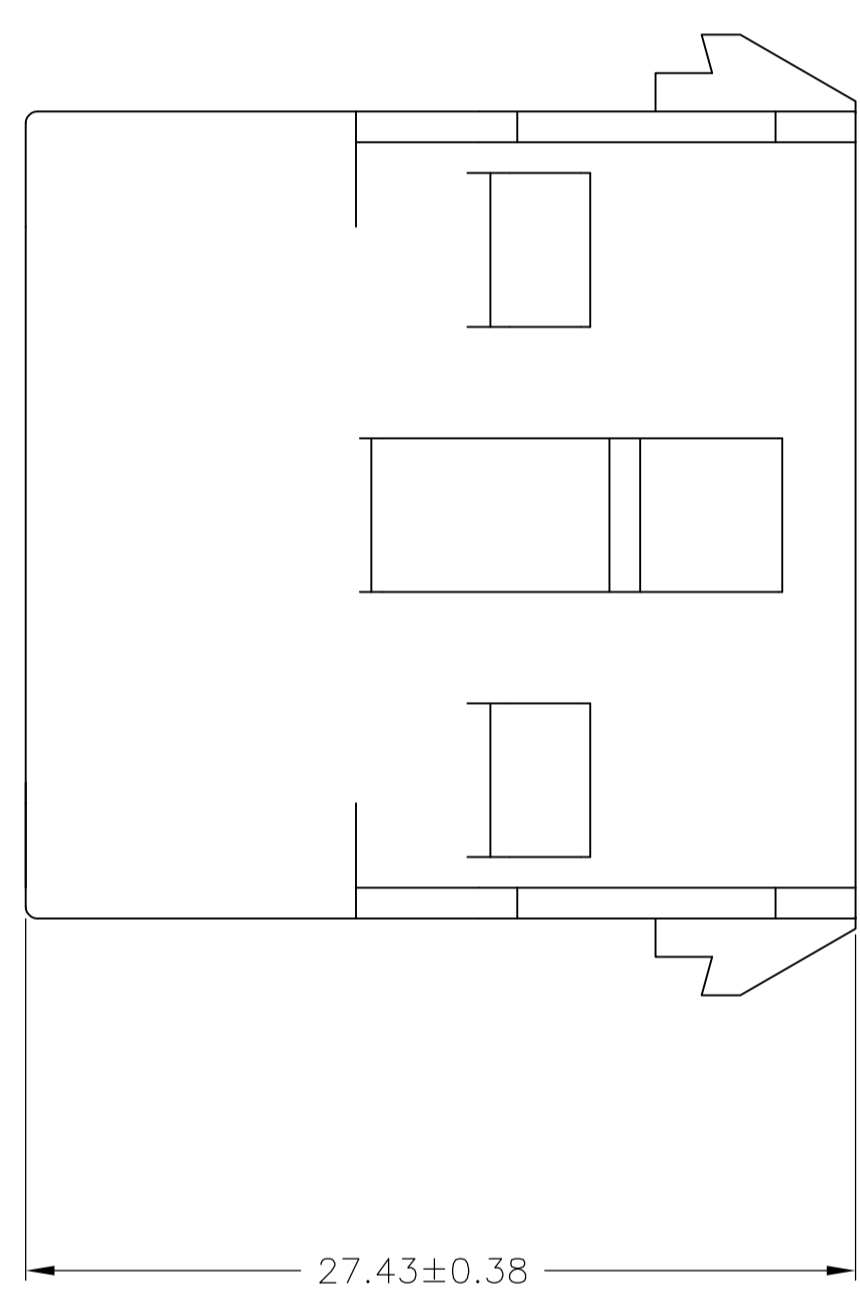
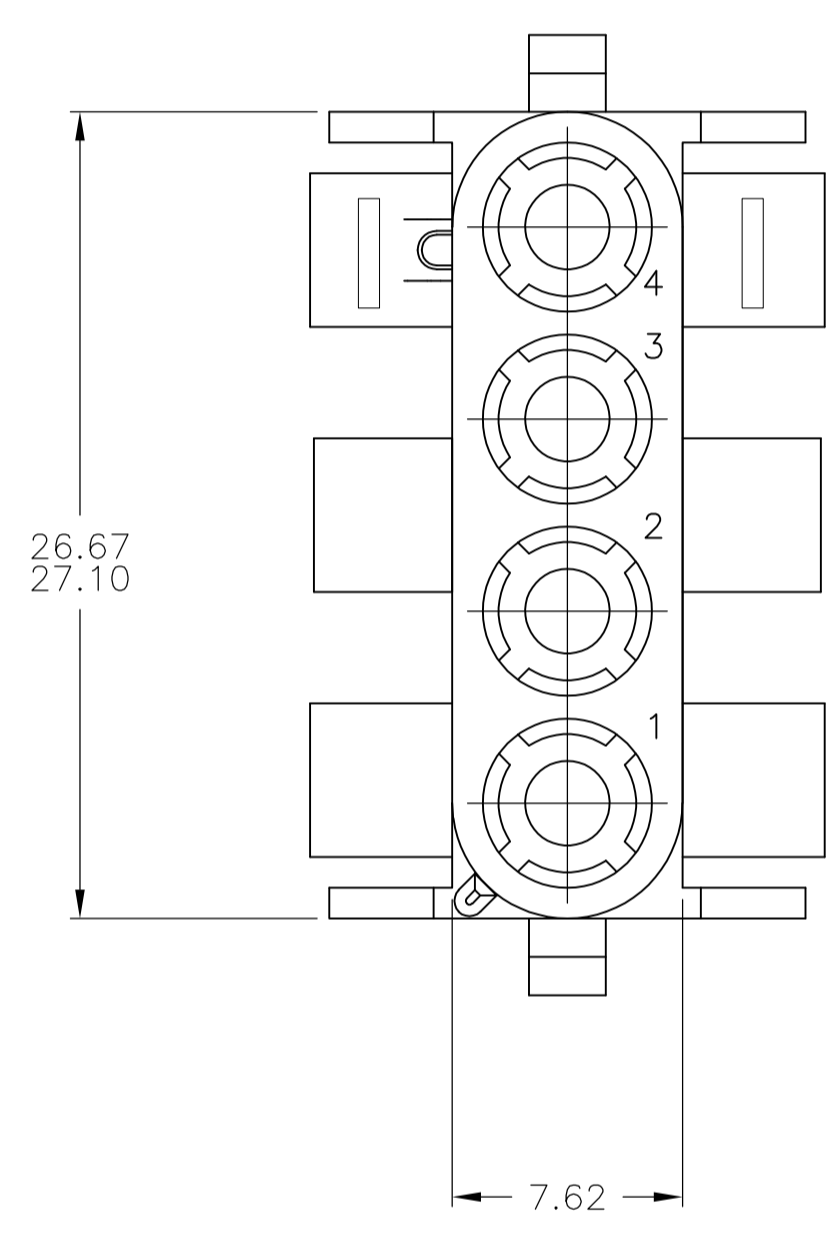
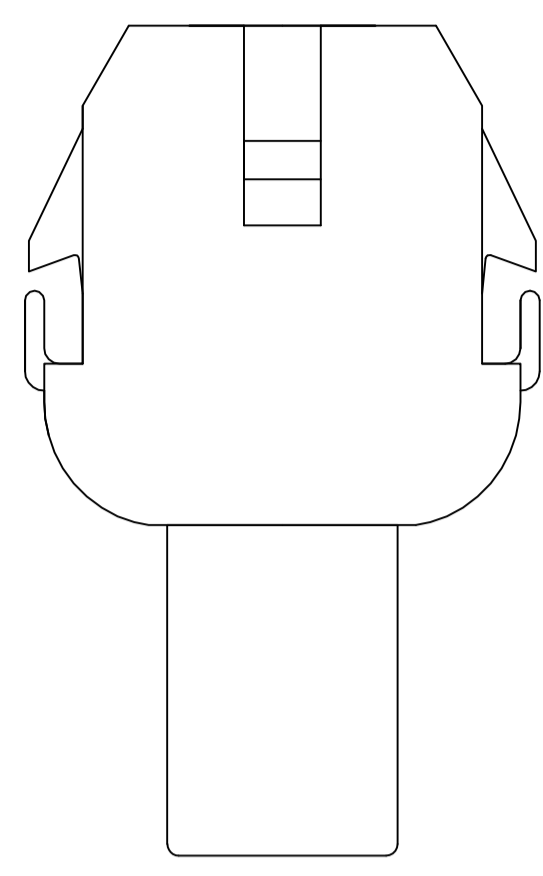
CONVERSION TABLE

△11 OBSOLETE	COLOR	PART NO
	BLACK	1-480703-9
	GRAY	1-480703-8
	BLUE	1-480703-6
	GREEN	1-480703-5
	YELLOW	1-480703-4
	ORANGE	1-480703-3
	RED	1-480703-2
	BROWN	1-480703-1
	NATURAL	1-480703-0



THIS DRAWING IS A CONTROLLED DOCUMENT.

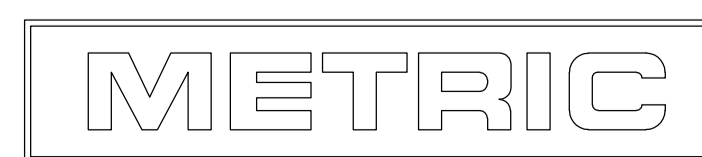
DIMENSIONS: mm	TOLERANCES UNLESS OTHERWISE SPECIFIED:	DIN K. WHITAKER 28JUL04	Tyco Electronics Corporation Harrisburg, Pa 17105-3608
0 PLC ± -	1 PLC ± -	CHK S. RIDGILL 28JUL04	APVD S. RIDGILL 28JUL04
2 PLC ± -	3 PLC ± .005	NAME	PRODUCT SPEC
4 PLC ± -	ANGLES ± 0°30'	APPLICATION SPEC	RESTRICTED TO
MATERIAL NYLON, UL94V-2	FINISH -	SIZE	CAGE CODE DRAWING NO
		WEIGHT	A1 00779 C=480703
		CUSTOMER DRAWING	SCALE 4:1 SHEET 1 OF 2 REV AM1



1. STAMP NUMBERS 3.18 HIGH AT WIRE END OF HOUSING (12 POINT DAVID TYPE).
2. CHARACTERS TO BE STAMPED ON HOUSING IN A MANNER AS TO BE READ FROM WIRE END ONLY.
3. VIOLET, BLACK, BROWN AND BLUE COLORED BLOCKS TO BE STAMPED WITH WHITE CHARACTERS. ALL OTHER COLORED BLOCKS TO BE STAMPED WITH BLACK CHARACTERS.

8.13	.320	-	-
7.62	.300	27.43	1.080
5.08	.200	27.10	1.067
4.70	.185	26.67	1.050
3.18	.125	13.41	.528
0.38	.015	12.96	.510
MM	IN	MM	IN

CONVERSION TABLE



NATURAL	2-480703-0
COLOR	PART NO

THIS DRAWING IS A CONTROLLED DOCUMENT.		DIN K. WHITAKER 28JUL04	Tyco Electronics Corporation Harrisburg, Pa 17105-3608	
DIMENSIONS: mm		CHK S. RIDGILL 28JUL04	NAME CAP, 4 CIRCUIT, UNIVERSAL MATE-N-LOK(TM)	
TOLERANCES UNLESS OTHERWISE SPECIFIED: 0. PLC ± - 1. PLC ± - 2. PLC ± - 3. PLC ± .005 4. PLC ± - ANGLES ± 0°30'		APVD S. RIDGILL	APPLICATION SPEC	
MATERIAL NYLON, UL94V-2		FINISH -	WEIGHT -	RESTRICTED TO -
CUSTOMER DRAWING		SCALE 4:1	SHEET 2 OF 2	REV AM1