

4

3

2

1

THIS DRAWING IS UNPUBLISHED. RELEASED FOR PUBLICATION

© COPYRIGHT BY TYCO ELECTRONICS CORPORATION. ALL RIGHTS RESERVED.

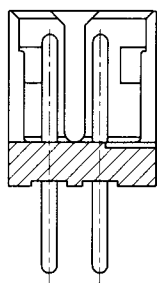
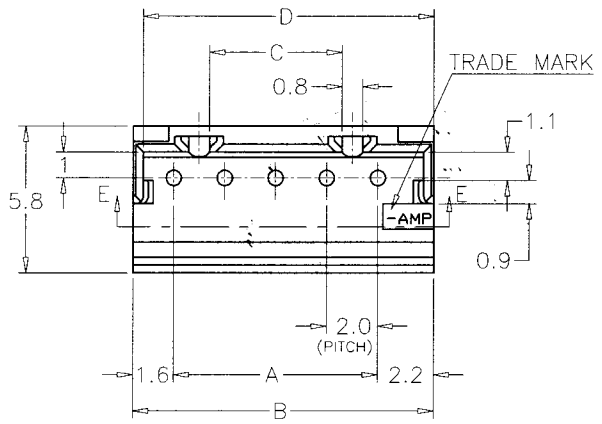
LOC FB DIST 00

REVISIONS

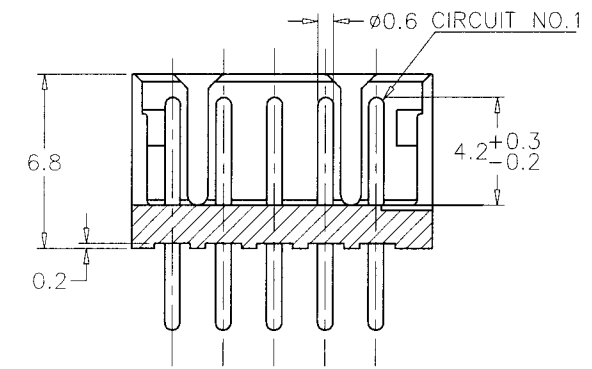
P	LTR	DESCRIPTION	DATE	DWN	APVD
0	RELEASED	FB00-0013-03	23JAN03	J.J	T.S

NOTES:

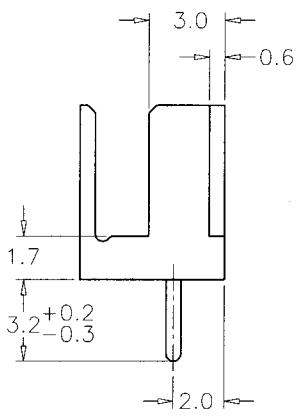
- 1 MATERIAL : HOUSING-66 NYLON (UL94V-0)
POST -TIN BRASS
- 2 THIS PRODUCT IS W/O KINK OF P/N 292132
- 3 APPLICABLE RECEPTACLE : P/N 173977



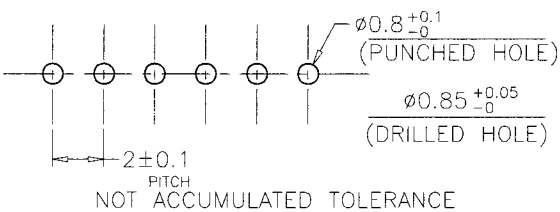
2 POS. SECT. E-E



SECT. E-E



5 POS.

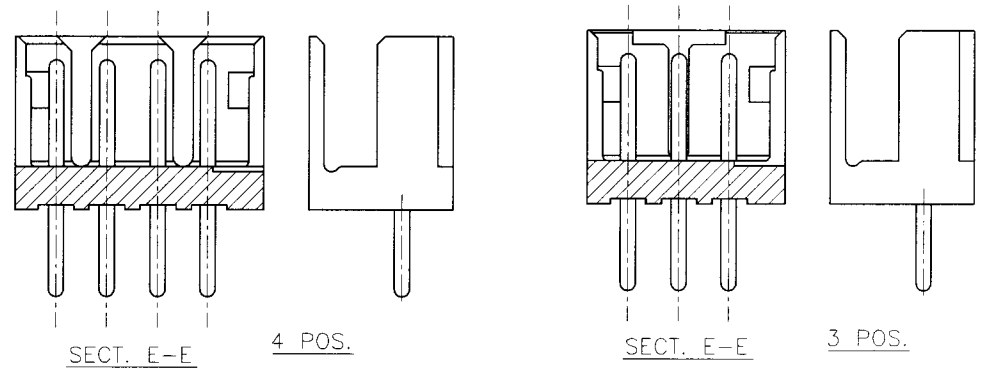


NOT ACCUMULATED TOLERANCE

RECOMMENDABLE P.C. BOARD LAYOUT (PCB THK : 0.8-1.6)

TOLERANCES UNLESS OTHERWISE SPECIFIED:

10>* :	±0.2
30>*10 :	±0.25
100>*30 :	±0.3
ANGEL :	±3°



SECT. E-E

4 POS.

SECT. E-E

3 POS.

			1-292133-5	15	28	31.8	25.2	31.0	
			1- -4	14	26	29.8	23.2	29.0	
			1- -3	13	24	27.8	21.2	27.0	
			1- -2	12	22	25.8	19.2	25.0	
			1- -1	11	20	23.8	17.2	23.0	
			1- -0	10	18	21.8	15.2	21.0	
				9	16	19.8	13.2	19.0	
				8	14	17.8	11.2	17.0	
				7	12	15.8	9.2	15.0	
				6	10	13.8	7.2	13.0	
				5	8	11.8	5.2	11.0	
				4	6	9.8	3.2	9.0	
6-292133-3	4-292133-3	2-292133-3		-3	3	4	7.8	—	7.0
			292133-2		2	2	5.8	—	5.0
BLACK	YELLOW	BLUE	NATURAL						
P/N				POS.	A	B	C	D	

THIS DRAWING IS A CONTROLLED DOCUMENT.

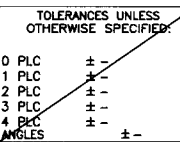
DWN S.XU 31JAN03
 CHK S.YAO 31JAN03
 APVD T.SASAKI 31JAN03
 PRODUCT SPEC
 108-60016
 APPLICATION SPEC
 WEIGHT -
 MATERIAL -
 FINISH -
 SEE NOTE

tyco Tyco Electronics Corporation
Electronics SHANGHAI, CHINA, 200233

NAME
 POST HEADER ASS'Y (BOX-V TYPE) W/O KINK
 AMP CT CONNECTOR 2mm PITCH

SIZE A3 CAGE CODE 00779 DRAWING NO C-292133 RESTRICTED TO

DIMENSIONS: MM



MATERIAL SEE NOTE

TOLERANCES UNLESS OTHERWISE SPECIFIED: SEE NOTE

CUSTOMER DRAWING

SCALE 5:1 SHEET 1 OF 2 REV 0

4

3

2

1

THIS DRAWING IS UNPUBLISHED.

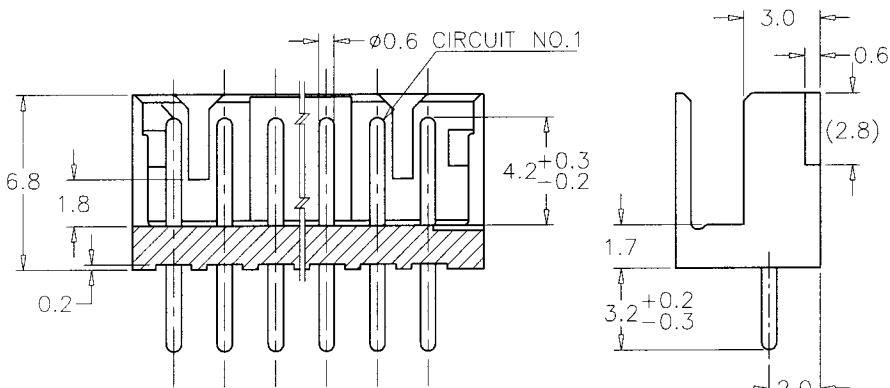
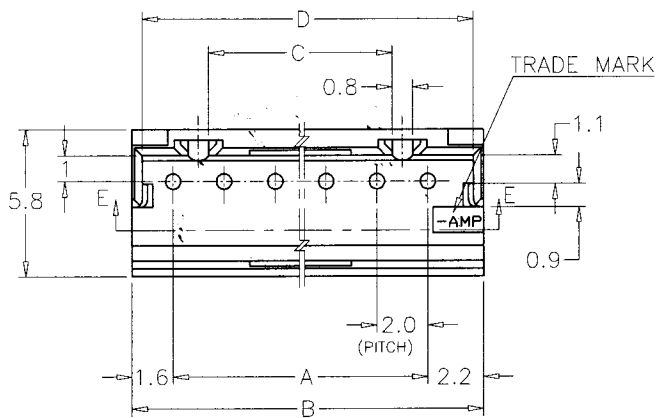
RELEASED FOR PUBLICATION

© COPYRIGHT BY TYCO ELECTRONICS CORPORATION. ALL RIGHTS RESERVED.

LOC FB DIST 00

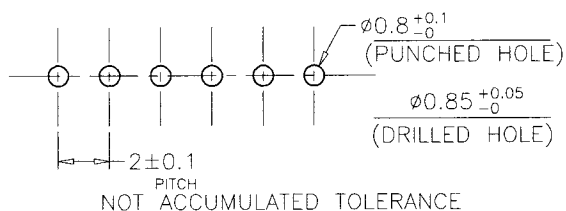
REVISIONS

P	LTR	DESCRIPTION	DATE	DWN	APVD
-	-	SEE SHEET 1	-	-	-



SECT. E-E

6~15 POS.



RECOMMENDABLE P.C. BOARD LAYOUT (PCB THK : 0.8-1.6)

NOTES:

- 1 MATERIAL : HOUSING-66 NYLON (UL94V-0) POST -TIN BRASS
- 2 THIS PRODUCT IS W/O KINK OF P/N 292132
- 3 APPLICABLE RECEPTACLE : P/N 173977

			1-292133-5	15	28	31.8	25.2	31.0
			1- -4	14	26	29.8	23.2	29.0
			1- -3	13	24	27.8	21.2	27.0
			1- -2	12	22	25.8	19.2	25.0
			1- -1	11	20	23.8	17.2	23.0
			1- -0	10	18	21.8	15.2	21.0
			-9	9	16	19.8	13.2	19.0
			-8	8	14	17.8	11.2	17.0
			-7	7	12	15.8	9.2	15.0
			-6	6	10	13.8	7.2	13.0
			-5					
			-4					
6-292133-3	4-292133-3	2-292133-3	-3					
			292133-2					
BLACK	YELLOW	BLUE	NATURAL	POS.	A	B	C	D

SEE SHEET 1 OF 2

THIS DRAWING IS A CONTROLLED DOCUMENT.

DIMENSIONS: MM

TOLERANCES UNLESS OTHERWISE SPECIFIED:

0 PLC	±
1 PLC	±
2 PLC	±
3 PLC	±
4 PLC	±
ANGLES	±
FINISH	-

MATERIAL

DWN 27DEC2002

CHK -

APVD -

PRODUCT SPEC -

APPLICATION SPEC -

WEIGHT -

CUSTOMER DRAWING

tyco Electronics

Tyco Electronics Corporation
SHANGHAI, CHINA, 200233

NAME
POST HEADER ASS'Y (BOX-V TYPE) W/O KINK
AMP CT CONNECTOR 2mm PITCH

SIZE A3 CAGE CODE 00779 DRAWING NO C-292133 RESTRICTED TO

SCALE 5:1 SHEET 2 OF 2 REV 0