

THIS DRAWING IS UNPUBLISHED. RELEASED FOR PUBLICATION

© COPYRIGHT BY TYCO ELECTRONICS CORPORATION. ALL RIGHTS RESERVED.

LOC FT DIST 0

REVISIONS

P	LTR	DESCRIPTION	DATE	DWN	APVD
	A	-	9/19/06	SS	SRY
	A1	REVISED PER ECO-10-002990	18JAN10	KK	HMR

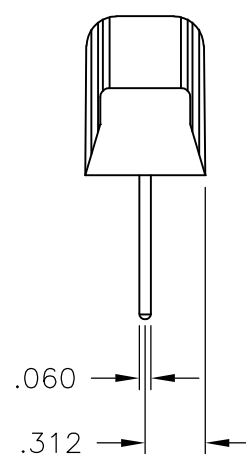
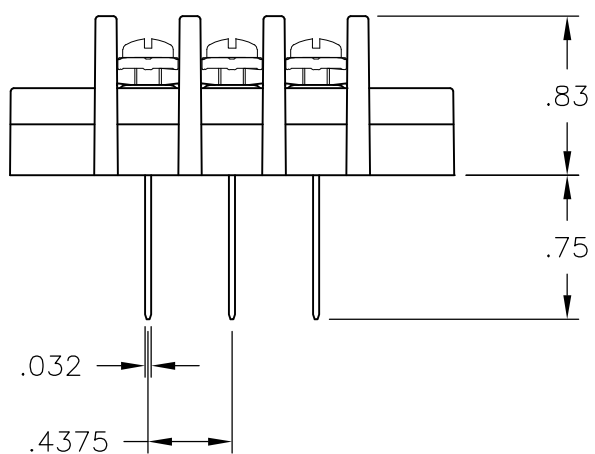
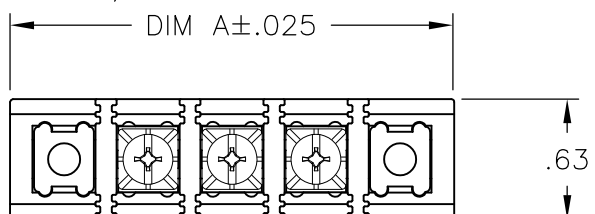
MATERIAL:
 HOUSING: NYLON, UL94V-0, BLACK.
 TERMINALS: BRASS, BRIGHT TIN PLATED.
 SCREWS: 6-32, STEEL, ZINC AND CHROMATE PLATED.

ELECTRICAL:
 MAXIMUM CURRENT: 20A.
 OPERATING VOLTAGE: 600V.
 WIRE RANGE: 12-22 AWG.

ENVIRONMENT:
 OPERATING TEMP.: -60°C TO +105°C

① WHITE INK STAMP.

② OBSOLETE PARTS: OBSOLETE CIS STREAMLINING PER D.RENAUD/D.SINISI

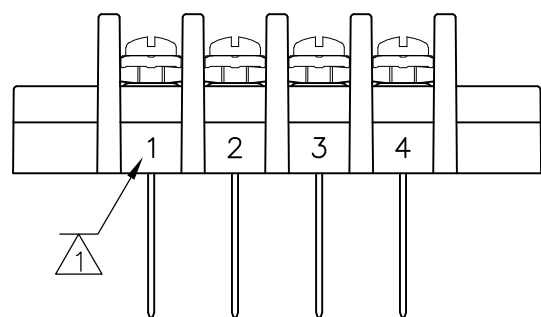


SEE FIGURE

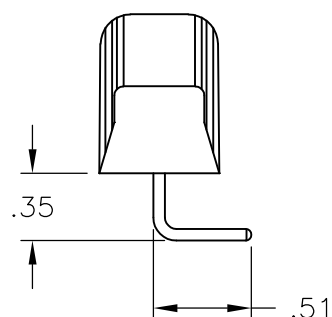
② OBSOLETE

② OBSOLETE

DIM A	BUSHING	NO. OF POS.	CATALOG NUMBER	PART NUMBER
11.937	YES	25	SSB7FG250702	2-1546964-5
11.500	YES	24	SSB7FG240702	2-1546964-4
11.062	YES	23	SSB7FG230702	2-1546964-3
10.625	YES	22	SSB7FG220702	2-1546964-2
10.187	YES	21	SSB7FG210702	2-1546964-1
9.750	YES	20	SSB7FG200702	2-1546964-0
9.312	YES	19	SSB7FG190702	1-1546964-9
8.875	YES	18	SSB7FG180702	1-1546964-8
8.437	YES	17	SSB7FG170702	1-1546964-7
8.000	YES	16	SSB7FG160702	1-1546964-6
7.562	YES	15	SSB7FG150702	1-1546964-5
7.125	YES	14	SSB7FG140702	1-1546964-4
6.687	YES	13	SSB7FG130702	1-1546964-3
6.250	YES	12	SSB7FG120702	1-1546964-2
5.812	YES	11	SSB7FG110702	1-1546964-1
5.375	YES	10	SSB7FG100702	1-1546964-0
4.937	YES	9	SSB7FG090702	1546964-9
4.500	YES	8	SSB7FG080702	1546964-8
4.062	YES	7	SSB7FG070702	1546964-7
3.625	YES	6	SSB7FG060702	1546964-6
3.187	YES	5	SSB7FG050702	1546964-5
2.750	YES	4	SSB7FG041502	1546561-7
2.750	NO	4	SSB7FF04070211	1-1546561-7
2.750	NO	4	SSB7FF040702	1546561-2
2.750	YES	4	SSB7FG040702	9-796602-7
2.312	YES	3	SSB7FG030702	1546964-3
1.875	NO	2	SSB7FF020702	1546561-4
1.875	YES	2	SSB7FG020702	1546964-2
1.437	YES	1	SSB7FG010702	1546964-1



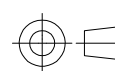
1-1546561-7 ②



1546561-7

THIS DRAWING IS A CONTROLLED DOCUMENT.

DIMENSIONS: INCHES



TOLERANCES UNLESS OTHERWISE SPECIFIED:	
0 PLC	± -
1 PLC	± -
2 PLC	± .02
3 PLC	± .010
4 PLC	± -
ANGLES	± 1°
FINISH	-

MATERIAL -

DWN S SCHL GEL 3/8/04

CHK S YODER 3/8/04

APVD S YODER 3/8/04

PRODUCT SPEC -

APPLICATION SPEC -

WEIGHT -

CUSTOMER DRAWING

BUCHANAN Tyco Electronics Corporation
 Harrisburg, Pa 17105-3608

NAME SSB7FGXX0702

SIZE A3 CAGE CODE 00779 DRAWING NO G-9-796602-7 RESTRICTED TO -

SCALE NTS SHEET 1 OF 1 REV A1