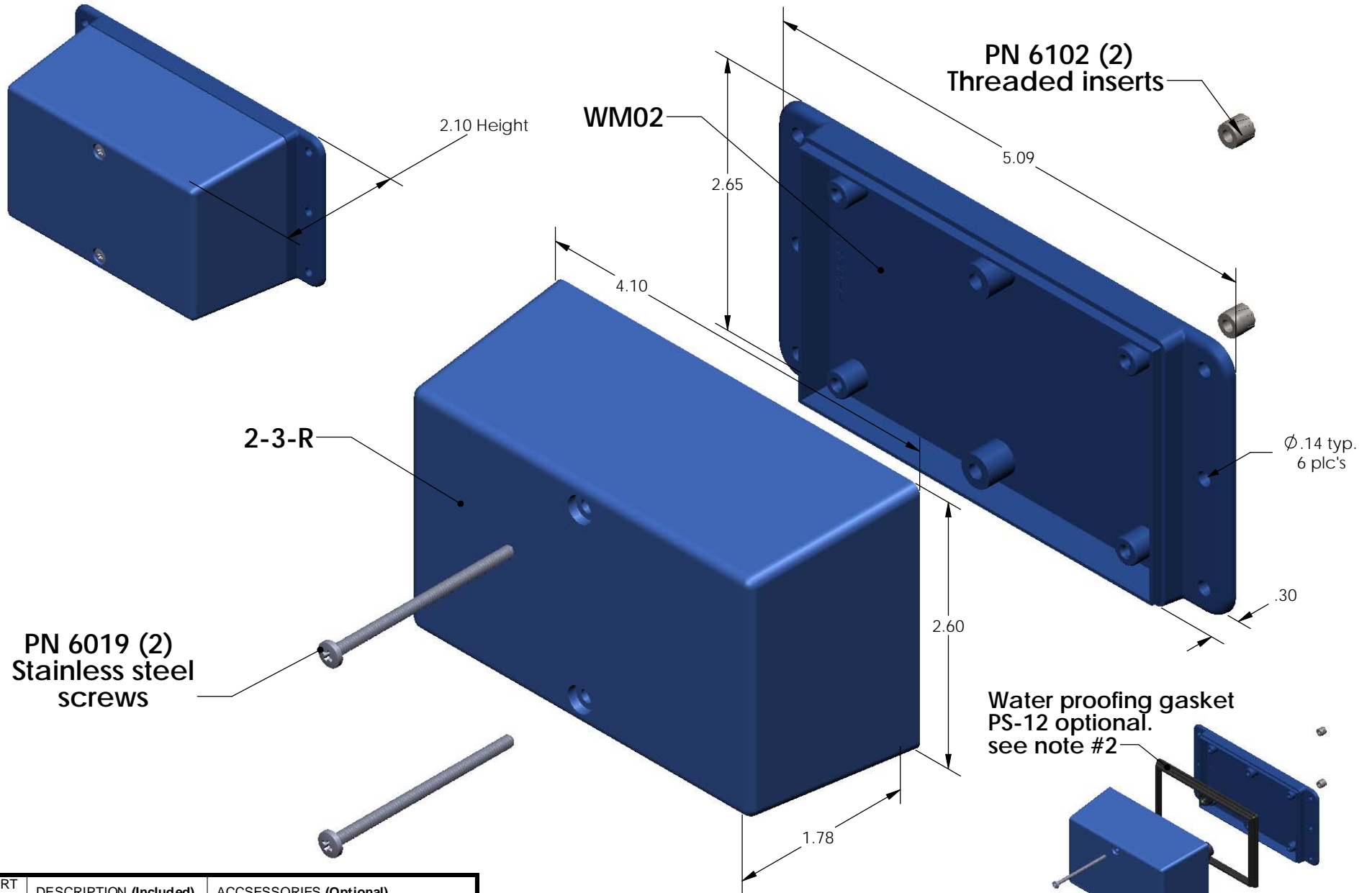


# SERPAC WM023-R (exploded isometric)

Electronic Enclosures



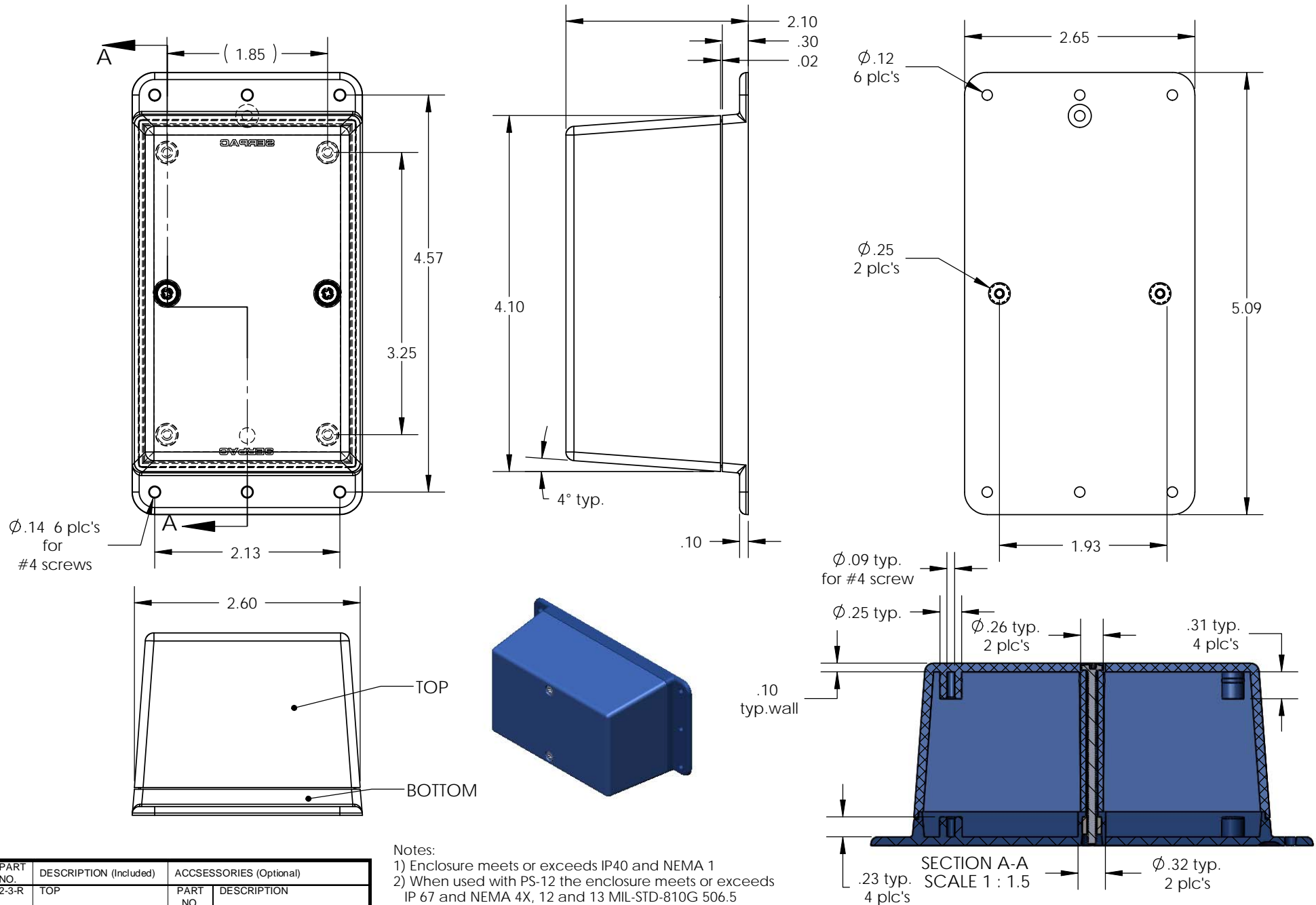
PART NO.	DESCRIPTION (Included)	ACCESSORIES (Optional)	
2-3-R	TOP	PART NO.	DESCRIPTION
WM02	BOTTOM	PS-12	Perimeter Seal
6019	4-40 SCREW (2)		
6102	THREADED INSERTS (2)		

- Notes:
- 1) Enclosure meets or exceeds IP40 and NEMA 1
  - 2) When used with PS-12 the enclosure meets or exceeds IP 67 and NEMA 4X, 12 and 13 MIL-STD-810G 506.5
  - 3) Circuit Board drawings can be download at:  
[http://www.serpac.com/Products/Accessories/CircuitBoard/drawings/CB\\_WM023.pdf](http://www.serpac.com/Products/Accessories/CircuitBoard/drawings/CB_WM023.pdf)
  - 4) All components are RoHS Compliant.

**ALL DIMENSIONS ARE ±.010" 5/28/09 (1 of 2)**  
**619 Commercial Ave. Covina, CA 91723**  
 Ph. (626) 331-0517 Fx. (626) 331-8584 [serpac.com](http://serpac.com)

# SERPAC WM023-R (user print)

Electronic Enclosures



**Notes:**

- 1) Enclosure meets or exceeds IP40 and NEMA 1
- 2) When used with PS-12 the enclosure meets or exceeds IP 67 and NEMA 4X, 12 and 13 MIL-STD-810G 506.5
- 3) Circuit Board drawings can be download at: [http://www.serpac.com/Products/Accessories/CircuitBoard/drawings/CB\\_WM023.pdf](http://www.serpac.com/Products/Accessories/CircuitBoard/drawings/CB_WM023.pdf)
- 4) All components are RoHS Compliant.

PART NO.	DESCRIPTION (Included)	ACCESSORIES (Optional)	
PART NO.	DESCRIPTION	PART NO.	DESCRIPTION
2-3-R	TOP		
WM02	BOTTOM	PS-12	Perimeter Seal
6019	4-40 SCREW (2)		
6102	THREADED INSERTS (2)		

SECTION A-A  
SCALE 1 : 1.5