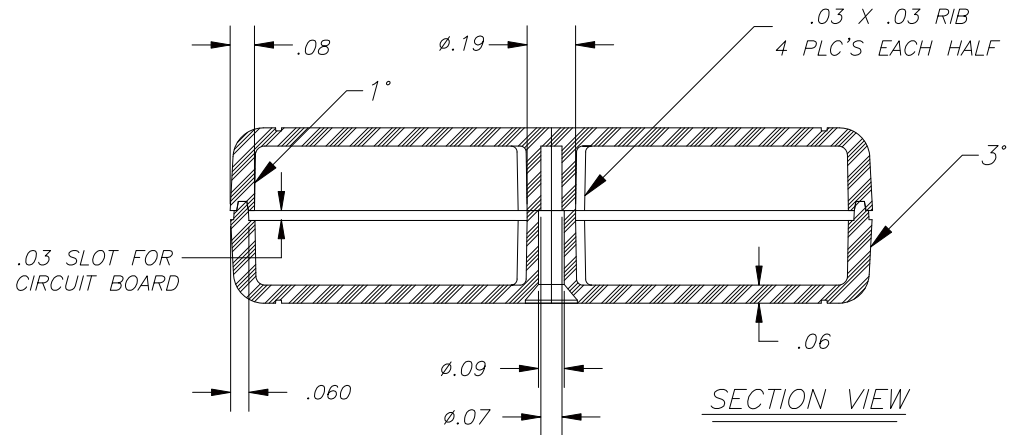
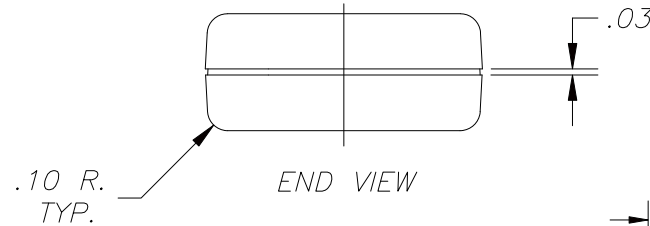
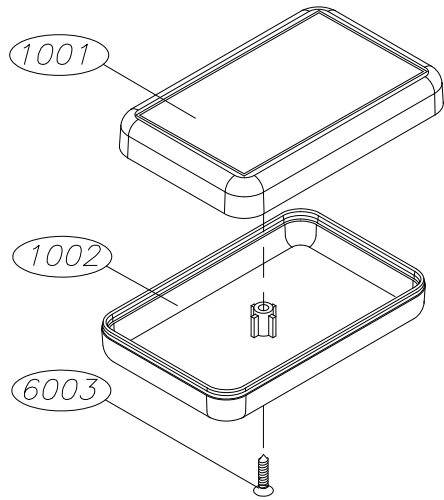
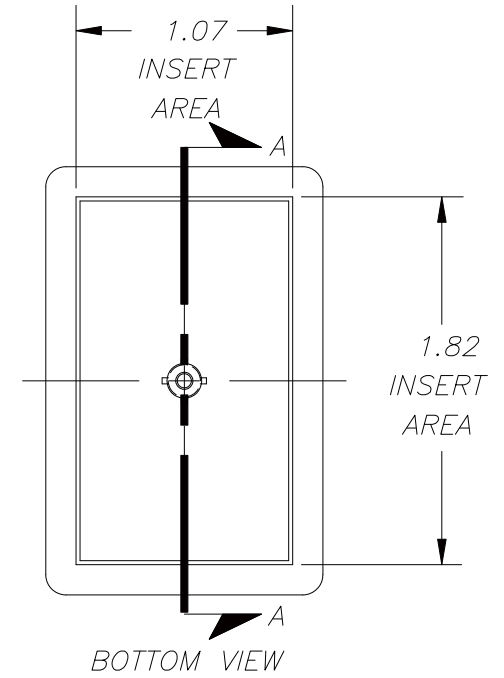
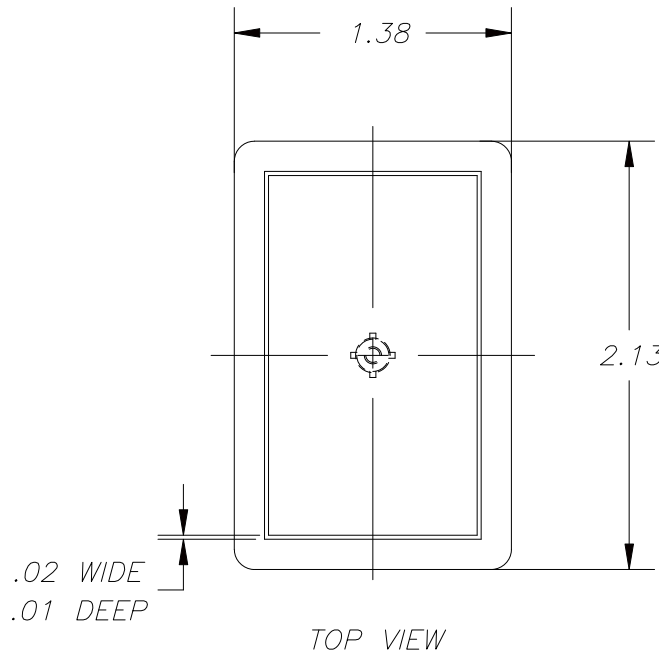
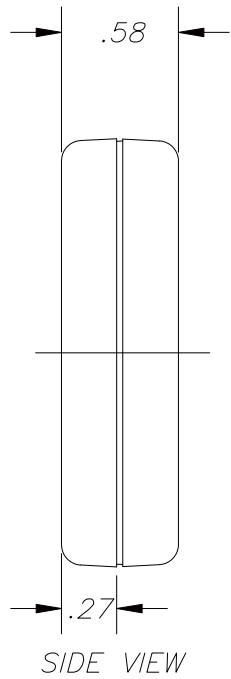


SERPAC C-4

Electronics Enclosures

NOTES:
 1. WHEN MACHINE OR I PLATES MODIFICATIONS ARE REQUIRED,
 USE THE CENTER OF THE ENCLOSURE TO DIMENSION.



09-07-00

ALL DIMENSIONS ± .010

PART NO.	DESCRIPTION	ACCESSORIES	
1001	PLASTIC TOP	PART NO.	DESCRIPTION
1002	PLASTIC BOTTOM	55	KEY HOLDER
6003	SCREW	1030	POCKET CLIP