

## Compact 2-stage bookform filter

**Description**

- Very compact and slim filter design
- High symmetrical and asymmetrical attenuation
- In the frequency range from 10kHz up to 300MHz

**Standards**

- IEC 60939
- EN 133 200

**Approvals**

- VDE Certificate Number: 40004666

**Applications**

- Voltage rating 480 VAC for world wide acceptance
- Especially designed for industrial applications such as: Frequency Converters, Stepper Motor Drives, UPS-Systems, Inverters
- Qualified for use in equipment according IEC/EN 60950

**References****Weblinks**

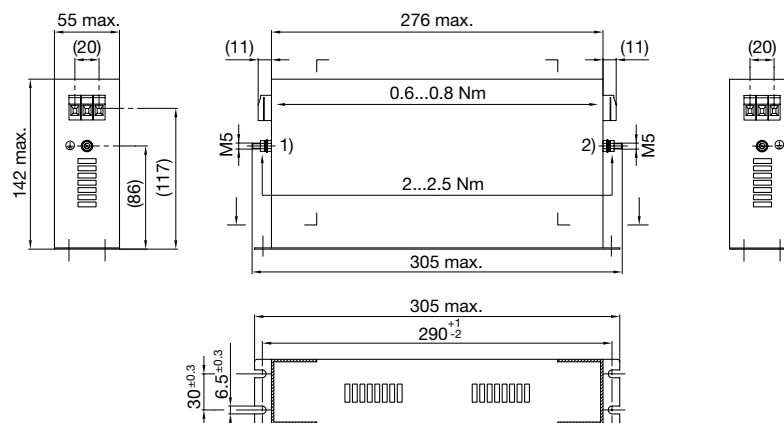
[General Product Information](#), [Approvals](#), [RoHS](#), [CHINA-RoHS](#), [e-Store](#), [SCHURTER-Stock-Check](#), [Distributor-Stock-Check](#)

**Technical Data**

Rated Current	10 - 115A @ Ta 40°C	Mounting	Screw-on mounting on chassis, from top
Rated voltage	480VAC 50/60 Hz	Terminal	Screw clamps / flexible wires
Approval for	10 - 115A @ Ta 40 °C / 480VAC; 50Hz	Operating Temperature [°C]	-25°C to 100°C
Overload Current	1.5 x Ir	Climatic Category	25/100/21 acc. to IEC 60068-1
Leakage Current	industrial < 5 mA (440V / 50Hz)	Degree of Protection	IP 20 acc. to IEC 60529
Dielectric Strength for 480 VAC	2.25kVDC between L-L 3kVDC between L-PE Test voltage (2 sec)	Protection Class	Suitable for appliances with protection class 1 acc. to IEC 61140
Number of Filter Stages	2	MTBF	> 200'000h acc. to MIL-HB-217 F
Weight	1.9 - 7.25 kg		
Material: Housing	Metal		
Sealing Compound	UL 94V-0		

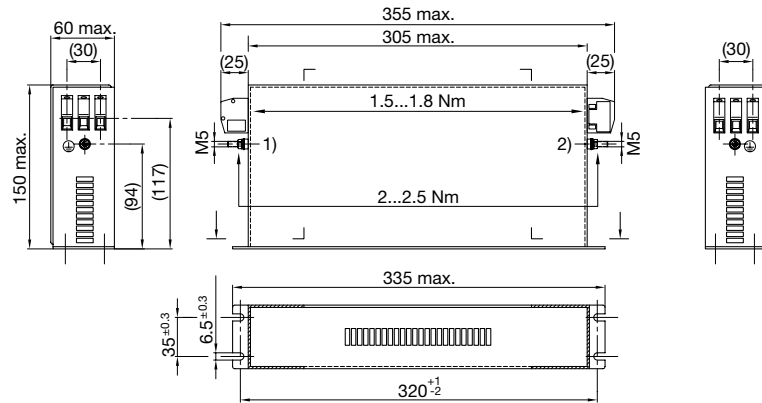
**Dimensions**

Case 58

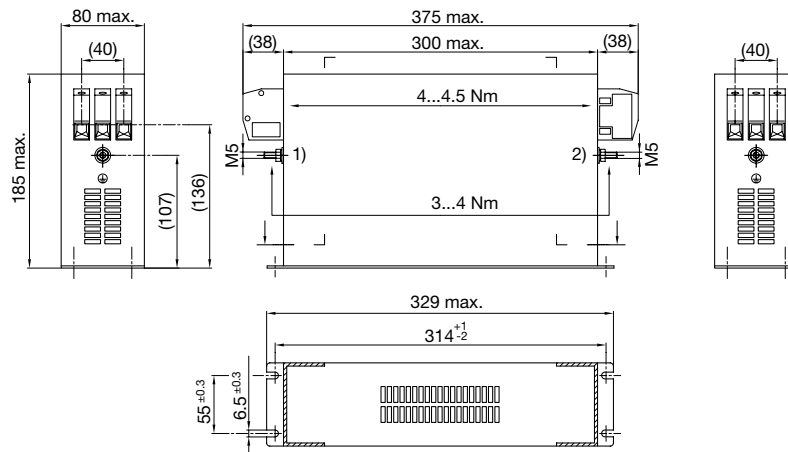


- 1) Line  
2) Load

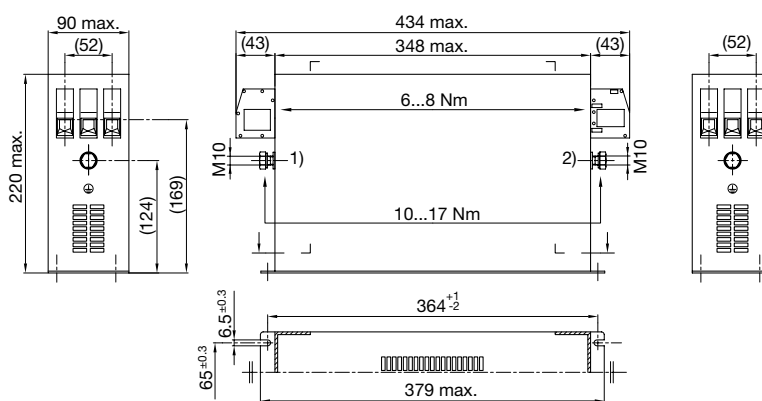
Case 60



Case 62

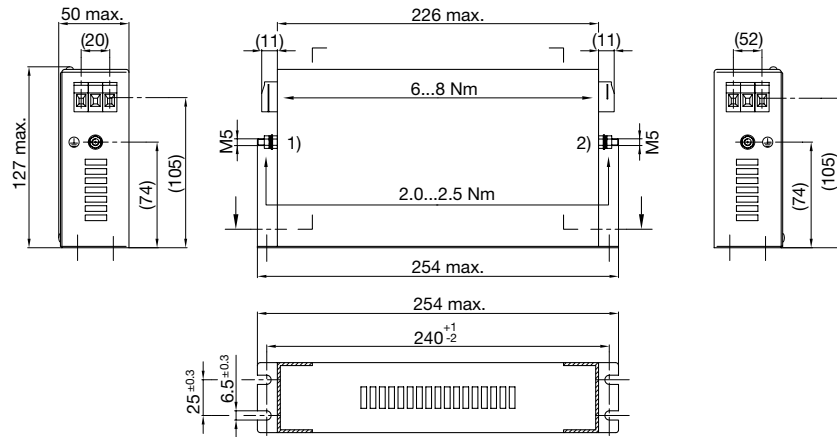


Case 64

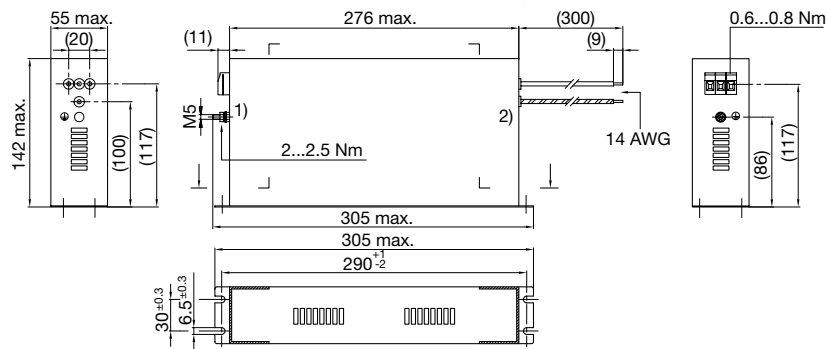


- 1) Line
- 2) Load

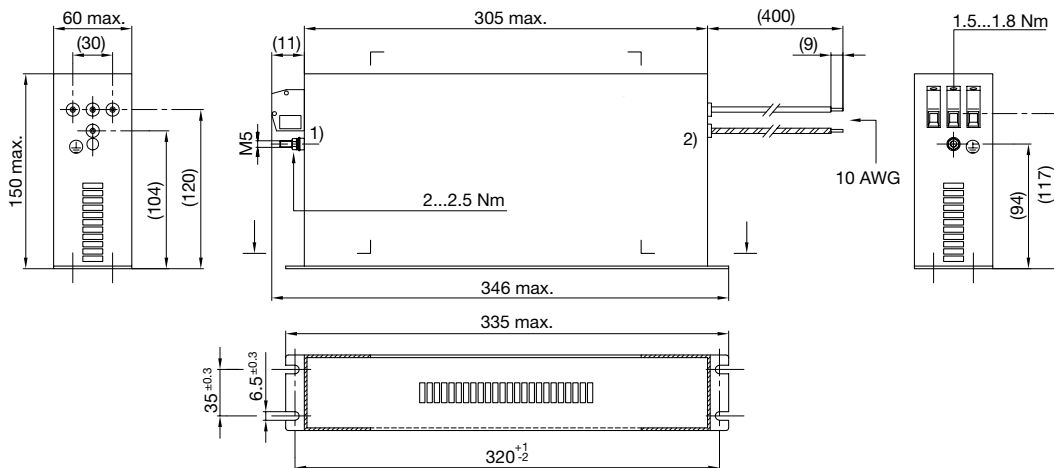
Case 67



Case 58C

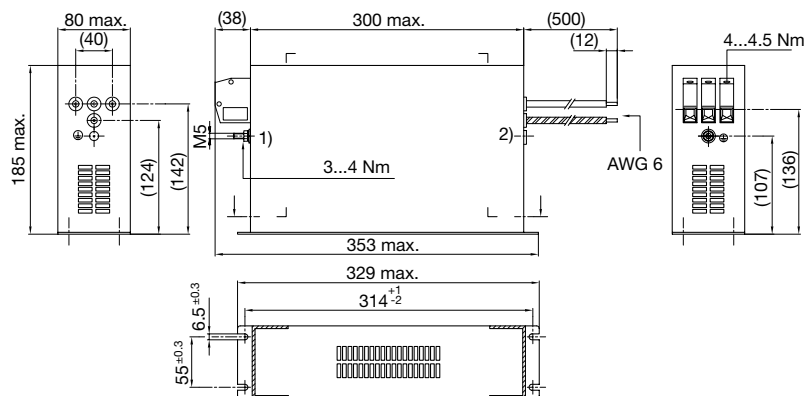


Case 60C

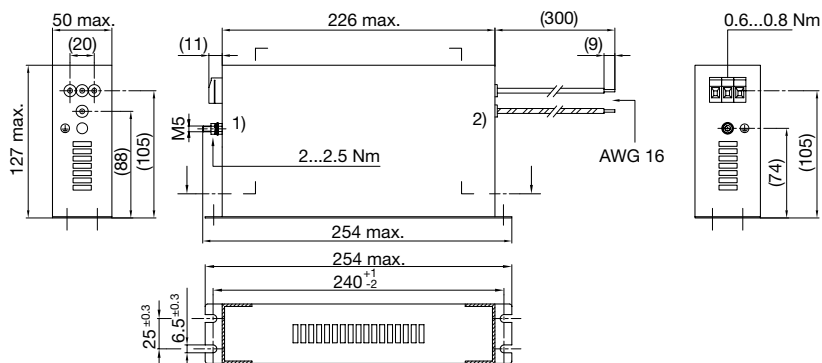


- 1) Line
- 2) Load

### Case 62C



### Case 67C

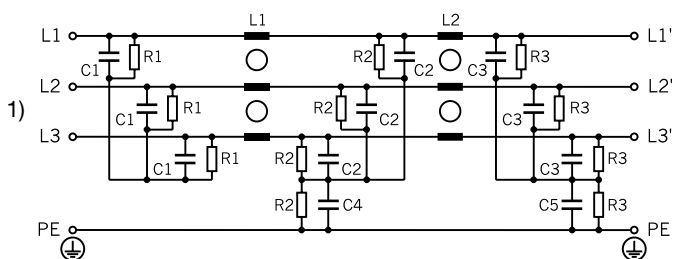


- 1) Line
- 2) Load

### Technical data to the filter components

Rated Current [A]	Terminal	L1 [mH]	L2 [mH]	C1 [μF]	C2 [μF]	C3 [nF]	C4 [nF]	C5 [μF]	R1 [MΩ]	R2 [MΩ]	R3 [MΩ]
10	Screw-on terminals on line- and loadside	3	1.5	1.5	1.0	1.5	-	1.5	-	-	1
115	Screw-on terminals on line- and loadside	0.7	0.2	2.2	2.2	2.2	100	2.2	-	1	1
20	Screw-on terminals on line- and loadside	1.8	2	2.2	1.5	2.2	-	1.5	-	-	1
36	Screw-on terminals on line- and loadside	1.5	0.5	2.2	2.2	2.2	-	2.2	-	-	1
66	Screw-on terminals on line- and loadside	0.65	0.45	2.2	2.2	2.2	100	2.2	-	1	1

### Diagrams

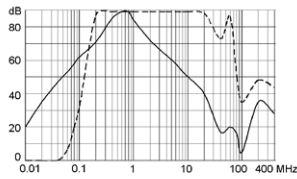


- 1) Power Line

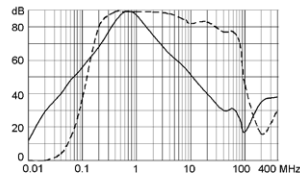
**Attenuation Loss** . . . . . 0.1/100Ω differential mode ..... 100/0.1Ω differential mode - - - - differential mode \_\_\_\_ common mode

Industrial Version

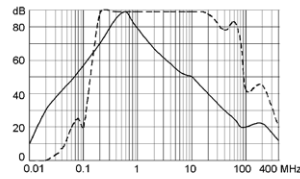
10 A



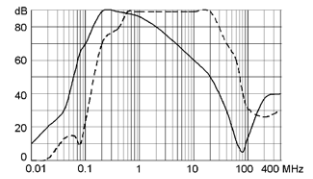
20 A



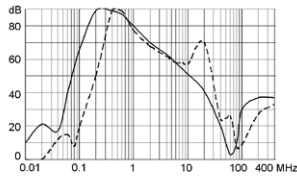
36 A



66 A



115 A



**Variants**

Rated Current [A]	Terminal	Tripped Power Dissi-	Contact Resi- stance [mΩ]	Weight [kg]	Clamps [mm <sup>2</sup> ]	Housing	Order Number
10	Screw-on terminals on line- and loadside	9.45	31.5	1.9	4	67	FMBC-0967-1010
10	Screw-on terminals on lineside, wires on loadside	9.45	31.5	1.65	4	67C	FMBC-0967-1060
115	Screw-on terminals on line- and loadside	48	1.33	7.25	50	64	FMBC-0964-H110
20	Screw-on terminals on line- and loadside	17.5	14.6	2.15	4	58	FMBC-0958-2010
20	Screw-on terminals on lineside, wires on loadside	17.5	14.6	2.3	4	58C	FMBC-0958-2060
36	Screw-on terminals on line- and loadside	25.7	6.6	2.9	10	60	FMBC-0960-3610
36	Screw-on terminals on lineside, wires on loadside	25.7	6.6	3.1	10	60C	FMBC-0960-3660
66	Screw-on terminals on line- and loadside	43	3.3	4.4	25	62	FMBC-0962-6610
66	Screw-on terminals on lineside, wires on loadside	43	3.3	4.41	25	62C	FMBC-0962-6660

**Packaging unit** 1 Pcs