



ROSE+BOPLA
ENCLOSURES

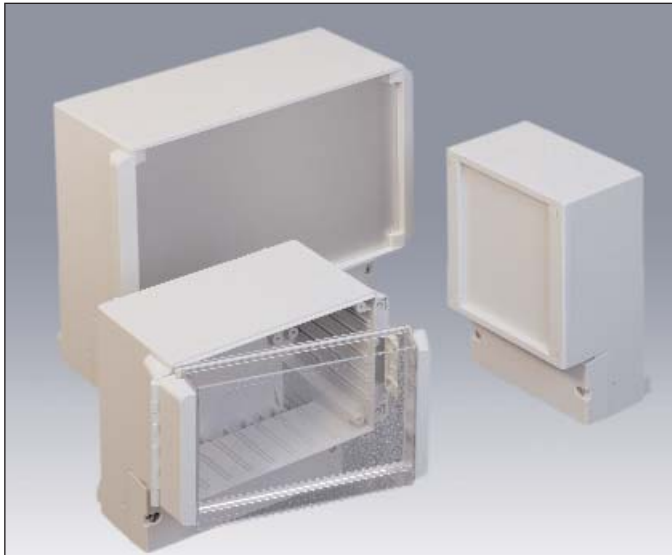
A PHOENIX MECANO COMPANY

RCP/RCPM Control Housings Enclosures Product Drawings Last Updated 6/20/2008

Rose+Bopla Enclosures
7330 Executive Way
Frederick, MD 21704
301-696-9800
www.rose-bopla.com
rbinfo@pm-usa.com

Dimensional Drawings

For Secondary Services, Product Support, or To Order, Call 1-301-696-9800



TECHNICAL DATA:

- Color: Light gray, similar to RAL 7035
- Material: ABS housing, crystal clear polycarbonate lid. (Lexan 241A)
VO version: Lexan 500 R housing, Lexan 940 A lid. Special materials and colors can be supplied on request for quantities of 500+.
- Ingress Protection:
Up to IP 65.
NEMA 12.
- Surface Resistance: ABS, $>10^{13}$ Ohm to DIN 53482
Polycarbonate, $>10^{15}$ Ohm to DIN 53482.
- Disruptive Strength: ABS, 17KV/mm to DIN 53481
Polycarbonate 28KV/mm to DIN 53481.
- Flammability:
UL 94 HB/1.6—ABS enclosure material, clear polycarbonate lid (Lexan 241R).
UL 94 VO—Lexan 500 R enclosure material, Lexan 940 A lid.
- Approvals: All enclosures are listed in 2 combustibility classes for use in Canada and the US under CSA Nr. LR 102362-2.

Note: Dimensions are external. Metric is the primary dimension. Inch conversions are for the user's convenience and are for reference only.

RCP/RCPM Control Housings, an extensive array of wall-mount enclosures, are ideal for measurement and control applications. They are available in 8 basic sizes, each with three different

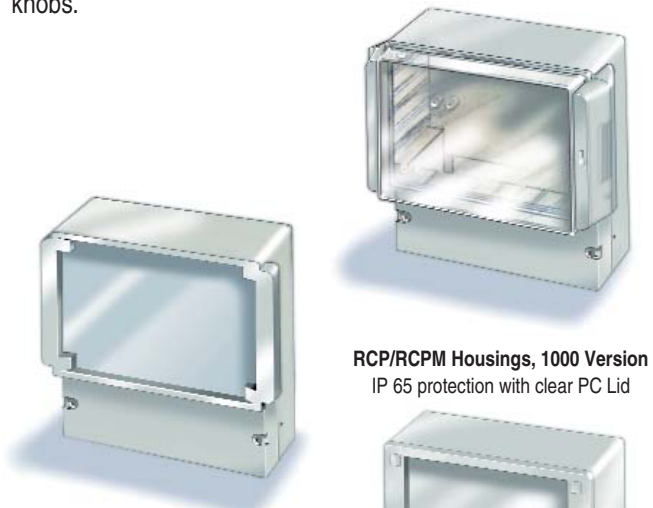
RCP/RCPM Control Housings

designs. To permit the insertion of mounting plates and PC boards, all designs have both vertical and horizontal grooves to ensure optimal versatility on the unit.

The terminal compartment can be separated from the actual electronics area, offering quick access to cable connections, by means of integrated grooves with separating plates. In addition, extra protection is possible by using lead seals in the standard through-holes. These enclosures can be mounted on the wall using the integrated three-point wall fitting, with the terminal compartment up or down.

Depending on the design, fronts of terminal compartments feature different PG or metric cable knock-outs. Part prefix will change from RCP to RCPM. All versions can now be ordered with metric size knock-out holes. For orders exceeding 500 pieces, enclosures can be supplied without holes.

RCP/RCPM Control Housings are injection molded in ABS. Standard clear lids are made of polycarbonate. Flame retardant VO models are available, molded in Lexan. Accessories include: aluminum front panels, mounting plates, sheet metal hood for control panel mounting, wall brackets, cylinder catches, and hand knobs.



RCP/RCPM Housings, 100 Version
IP 40 ingress protection rating

RCP/RCPM Housings, 1000 Version
IP 65 protection with clear PC Lid



RCP/RCPM Housings, F Version
IP 65 ingress protection up to 250 F
IP 54 ingress protection for 310F and higher

RCP/RCPM Housings Components

RCP/RCPM 1300 (VO)						
Model Number	Part Number	Height (Inches/mm)	Width (Inches/mm)	Depth (Inches/mm)	Weight lbs.	Drawing Page #
RCP 1300	41130109	7.32 / 186	5.16 / 131	4.05 / 103	.170	17-182
RCP 1300 VO	41130400	7.32 / 186	5.16 / 131	4.05 / 103	1.239	17-182
RCPM 1300	41131109	7.32 / 186	5.16 / 131	4.05 / 103	.170	17-182
RCPM 1300 VO	41131400	7.32 / 196	5.16 / 131	4.05 / 103	1.239	17-182

RCP 1300: Light gray ABS housing with polycarbonate clear lid. Up to IP 65 protection rating.

RCP 1300 VO*: Light gray Lexan 500R housing w/Lexan 940A clear lid. Up to IP 65 protection rating.

RCPM 1300: Light gray ABS housing with polycarbonate clear lid. Up to IP 65 protection rating.

RCPM 1300 VO*: Light gray Lexan 500 R housing w/Lexan 940A clear lid. Up to IP 65 protection rating.

Including: RCP 1300 with hinged lid and latch. RCP 1300 terminal compartment has PG cable knock-outs for 1 PG 9, 1 PG 11, and 1 PG 13.5.* RCP 1300 VO version, same as RCP 1300.

RCPM 1300 with hinged lid and latch. RCPM 1300 terminal compartment has metric cable knock-outs for M12, M16, and M20. RCPM 1300 VO version same as RCPM 1300.

*VO versions subject to minimum order.

Accessories shown on drawing page.



RCP/RCPM 130						
Model Number	Part Number	Height (Inches/mm)	Width (Inches/mm)	Depth (Inches/mm)	Weight lbs.	Drawing Page #
RCP 130	41130009	7.32 / 186	5.16 / 131	3.19 / 81	.198	17-182
RCPM 130	41131009	7.32 / 186	5.16 / 131	3.19 / 81	.198	17-182

RCP 130: Light gray ABS housing. IP 40 protection rating.

RCPM 130: Light gray ABS housing. IP 40 protection rating.

Including: RCP 130 with covering frame and PG cable knock-outs (1 PG 9, 1 PG 11, and 1 PG 13.5) on terminal compartment.* RCPM 1300 with covering frame and metric cable knock-outs for M12, M16, and M20.

Accessories shown on drawing page.



RCP/RCPM 130 F						
Model Number	Part Number	Height (Inches/mm)	Width (Inches/mm)	Depth (Inches/mm)	Weight lbs.	Drawing Page #
RCP 130 F	41130609	7.32 / 186	5.16 / 131	3.23 / 82	1.003	17-182
RCPM 130 F	41131609	7.32 / 186	5.16 / 131	3.23 / 82	1.003	17-182

RCP 130 F: Light gray ABS housing. Up to IP 65 protection rating.

RCPM 130 F: Light gray ABS housing. Up to IP 65 protection rating.

Including: RCP 130 F with membrane front and PG cable knock-outs (1 PG 9, 1 PG 11, and 1 PG 13.5) on terminal compartment.* RCPM 130 F with covering frame and metric cable knock-outs for M12, M16, and M20.

Accessories shown on drawing page.

*Tool inserts for smooth designs available. Minimum quantity, 500 pieces.

Note: Dimensions are external. Metric is the primary dimension. Inch conversions are for the user's convenience and are for reference only.



RCP/RCPM Housings Components



RCP/RCPM 1600 (VO)						
Model Number	Part Number	Height (Inches/mm)	Width (Inches/mm)	Depth (Inches/mm)	Weight lbs.	Drawing Page #
RCP 1600	41160109	6.34 / 161	6.53 / 166	3.66 / 93	1.080	17-183
RCP 1600 VO	41160400	6.34 / 161	6.53 / 166	3.66 / 93	1.089	17-183
RCPM 1600	41161109	6.34 / 161	6.53 / 166	3.66 / 93	1.080	17-183
RCPM 1600 VO	41161400	6.34 / 161	6.53 / 166	3.66 / 93	1.089	17-183

RCP 1600: Light gray ABS housing with polycarbonate clear lid. Up to IP 65 protection rating.
 RCP 1600 VO*: Light gray Lexan 500R housing w/Lexan 940A clear lid. Up to IP 65 protection rating.
 RCPM 1600: Light gray ABS housing with polycarbonate clear lid. Up to IP 65 protection rating.
 RCPM 1600 VO*: Light gray Lexan 500 R housing w/Lexan 940A clear lid. Up to IP 65 protection rating.
Including: RCP 1600 with hinged lid and latch. RCP 1600 terminal compartment has PG cable knock-outs for 1 PG 9, 2 PG 11, and 1 PG 13.5.* RCP 1600 VO version, same as RCP 1600. RCPM 1600 and RCPM 1600 VO with hinged lid and latch. RCPM 1600 terminal compartment has metric cable knock-outs for M12, M16, and M20.

*VO versions subject to minimum order.

Accessories shown on drawing page.



RCP/RCPM 160						
Model Number	Part Number	Height (Inches/mm)	Width (Inches/mm)	Depth (Inches/mm)	Weight lbs.	Drawing Page #
RCP 160	41160009	6.34 / 161	6.53 / 166	2.79 / 71	.838	17-183
RCPM 160	41161009	6.34 / 161	6.53 / 166	2.79 / 71	.838	17-183

RCP 160: Light gray ABS housing. IP 40 protection rating.

RCPM 160: Light gray ABS housing. IP 40 protection rating.

Including: RCP 160 with covering frame and PG cable knock-outs (1 PG 9, 2 PG 11, and 1 PG 13.5) on terminal compartment.* Metric cable knock-outs also available. RCPM 160 with covering frame and metric cable knock-outs for M12, M16, and M20.

Accessories shown on drawing page.



RCP/RCPM 160 F						
Model Number	Part Number	Height (Inches/mm)	Width (Inches/mm)	Depth (Inches/mm)	Weight lbs.	Drawing Page #
RCP 160 F	41160609	6.34 / 161	6.53 / 166	2.83 / 72	1.003	17-183
RCPM 160 F	41161609	6.34 / 161	6.53 / 166	2.83 / 72	1.003	17-183

RCP 160 F: Light gray ABS housing. Up to IP 65 protection rating.

RCPM 160 F: Light gray ABS housing. Up to IP 65 rating.

Including: RCP 160 F with membrane front and PG cable knock-outs (1 PG 9, 2 PG 11, and 1 PG 13.5) on terminal compartment.* RCPM 160 F with membrane front panel and metric knock-outs for M12, M16, and M20.

Accessories shown on drawing page.

*Tool inserts for smooth designs available. Minimum quantity, 500 pieces.

Note: Dimensions are external. Metric is the primary dimension. Inch conversions are for the user's convenience and are for reference only.

RCP/RCPM Housings Components

RCP/RCPM 1700 (VO)						
Model Number	Part Number	Height (Inches/mm)	Width (Inches/mm)	Depth (Inches/mm)	Weight lbs.	Drawing Page #
RCP 1700	41180109	6.34 / 161	6.53 / 166	4.76 / 121	1.241	17-184
RCP 1700 VO	41170400	6.34 / 161	6.53 / 166	4.76 / 121	1.259	17-184
RCPM 1700	41171109	6.34 / 161	6.53 / 166	4.76 / 121	1.241	17-184
RCPM 1700 VO	41171400	6.34 / 161	6.53 / 166	4.76 / 121	1.259	17-184

RCP 1700: Light gray ABS housing with polycarbonate clear lid. Up to IP 65 protection rating.
 RCP 1700 VO*: Light gray Lexan 500R housing w/Lexan 940A clear lid. Up to IP 65 protection rating.
 RCPM 1700: Light gray ABS housing with polycarbonate clear lid. Up to IP 65 protection rating.
 RCPM 1700 VO*: Light gray Lexan 500R housing w/Lexan 940A clear lid. Up to IP 65 protection rating.

Including: RCP 1700 with hinged lid and latch. RCP 1700 terminal compartment has PG cable knock-outs for 1 PG 9, 2 PG 11, and 1 PG 13.5.* RCPM 1700 with hinged lid and latch. RCPM terminal compartment has metric cable knock-outs for M12, M16, and M20. RCP 1700 VO/RCPM 1700 VO versions, same as RCP 1700.

*Vo versions subject to minimum order.

Accessories shown on drawing page.



RCP/RCPM 170						
Model Number	Part Number	Height (Inches/mm)	Width (Inches/mm)	Depth (Inches/mm)	Weight lbs.	Drawing Page #
RCP 170	41170009	6.34 / 161	6.53 / 166	3.90 / 99	.968	17-184
RCPM 170	71171009	6.34 / 161	6.53 / 166	3.90 / 99	.968	17-184

RCP 170: Light gray ABS housing. IP 40 protection rating.

RCPM 170: Light gray ABS housing. IP 40 protection rating.

Including: RCP 170 with covering frame and PG cable knock-outs (1 PG 9, 2 PG 11, and 1 PG 13.5) on terminal compartment.* RCPM 170 with covering frame and metric knock-outs for M12, M16, and M20.

Accessories shown on drawing page.



RCP/RCPM 170 F						
Part Number	Part Number	Height (Inches/mm)	Width (Inches/mm)	Depth (Inches/mm)	Weight lbs.	Drawing Page #
RCP 170 F	41170609	6.34 / 161	6.53 / 166	3.94 / 100	1.164	17-184
RCPM 170 F	41171608	6.34 / 161	6.53 / 166	3.94 / 100	1.164	17-184

RCP 170 F: Light gray ABS housing. Up to IP 65 protection rating.

RCPM 170 F: Light gray ABS housing. Up to IP 65 protection rating.

Including: RCP 170 F with membrane front and PG cable knock-outs (1 PG 9, 2 PG 11, and 1 PG 13.5) on terminal compartment.* RCPM 170 F with membrane front and metric knock-outs for M12, M16, and M20.

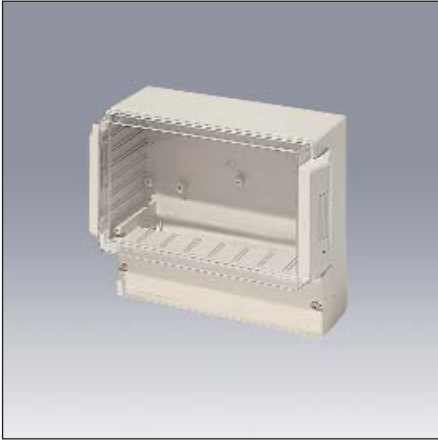
Accessories shown on drawing page.

*Tool inserts for smooth designs available. Minimum quantity, 500 pieces.

Note: Dimensions are external. Metric is the primary dimension. Inch conversions are for the user's convenience and are for reference only.



RCP/RCPM Housings Components



RCP/RCPM 2000 (VO)						
Model Number	Part Number	Height (Inches/mm)	Width (Inches/mm)	Depth (Inches/mm)	Weight lbs.	Drawing Page #
RCP 2000	41200309	7.28 / 185	8.38 / 213	4.11 / 104	1.504	17-185
RCP 2000 VO	41200400	7.28 / 185	8.38 / 213	4.11 / 104	1.504	17-185
RCPM 2000	41201309	7.28 / 185	8.38 / 213	4.11 / 104	1.504	17-185
RCPM 2000 VO	41201400	7.28 / 185	8.38 / 213	4.11 / 104	1.504	17-185

RCP 2000: Light gray ABS housing with polycarbonate clear lid. Up to IP 65 protection rating.

RCP 2000 VO*: Light gray Lexan 500R housing w/Lexan 940A clear lid. Up to IP 65 protection rating.

RCPM 2000: Light gray ABS housing with polycarbonate clear lid. Up to IP 65 protection rating.

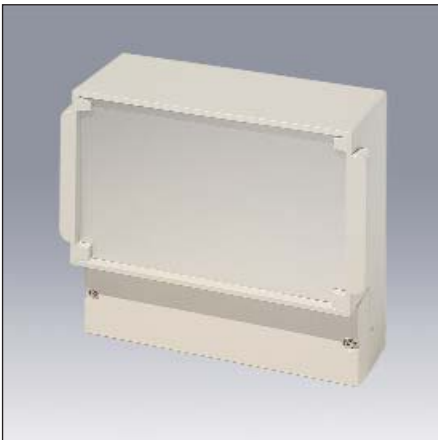
RCPM 2000 VO*: Light gray Lexan 500R housing w/Lexan 940A clear lid. Up to IP 65 protection rating.

Including: RCP 2000 with hinged lid and latch. RCP 2000 terminal compartment has PG cable knock-outs for 1 PG 9, 4 PG 11, and 1 PG 13.5.* RCP 2000 VO version, same as RCP 2000.

RCPM 2000 with hinged lid and latch. RCPM 2000 terminal compartment has metric knock-outs for M12, M16, and M20.

*VO versions subject to minimum order.

Accessories shown on drawing page.



RCP/RCPM 200						
Model Number	Part Number	Height (Inches/mm)	Width (Inches/mm)	Depth (Inches/mm)	Weight lbs.	Drawing Page #
RCP 200	41200009	7.28 / 185	8.38 / 213	3.23 / 82	1.151	17-185
RCPM 200	41201009	7.28 / 185	8.38 / 213	3.23 / 82	1.151	17-185

RCP 200: Light gray ABS housing. IP 40 protection rating.

RCPM 200: Light gray ABS housing. IP 40 protection rating.

Including: RCP 200 with covering frame and PG cable knock-outs (1 PG 9, 4 PG 11, and 1 PG 13.5) on terminal compartment.* RCPM 200 with metric knock-outs for M12, M16, and M20.

Accessories shown on drawing page.



RCP/RCPM 200 F						
Model Number	Part Number	Height (Inches/mm)	Width (Inches/mm)	Depth (Inches/mm)	Weight lbs.	Drawing Page #
RCP 200 F	41200609	7.28 / 185	8.38 / 213	3.31 / 84	1.409	17-185
RCPM 200 F	41201609	7.28 / 185	8.38 / 213	3.31 / 84	1.409	17-185

RCP 200 F: Light gray ABS housing with polycarbonate clear lid. Up to IP 65 protection rating.

RCPM 200 F: Light gray ABS housing with polycarbonate clear lid. Up to IP 65 protection rating.

Including: RCP 200 F with membrane front and PG cable knock-outs (1 PG 9, 4 PG 11, and 1 PG 13.5) on terminal compartment.* RCPM 200 F with metric knock-outs for M12, M16, and M20.

Accessories shown on drawing page.

*Tool inserts for smooth designs available. Minimum quantity, 500 pieces.

Note: Dimensions are external. Metric is the primary dimension. Inch conversions are for the user's convenience and are for reference only.

RCP/RCPM Housings Components

RCP/RCPM 2500 (VO)						
Model Number	Part Number	Height (Inches/mm)	Width (Inches/mm)	Depth (Inches/mm)	Weight lbs.	Drawing Page #
RCP 2500	41250109	8.54 / 217	10.12 / 257	5.20 / 132	2.207	17-186
RCP 2500 VO	41250400	8.54 / 217	10.12 / 257	5.20 / 132	2.207	17-186
RCPM 2500	41251109	8.54 / 217	10.12 / 257	5.20 / 132	2.207	17-186
RCPM 2500 VO	41251400	8.54 / 217	10.12 / 257	5.20 / 132	2.207	17-186

RCP 2500: Light gray ABS housing with polycarbonate clear lid. Up to IP 65 protection rating.

RCP 2500 VO*: Light gray Lexan 500R housing w/Lexan 940A clear lid. Up to IP 65 protection rating.

RCPM 2500: Light gray ABS housing with polycarbonate clear lid. UP to IP 65 protection rating.

RCPM 2500 VO*: Light gray Lexan 500R housing w/Lexan 940A clear lid. Up to IP 65 protection rating.

Including: RCP/RCPM 2500 with hinged lid and latch. RCP 2500 terminal compartment has PG cable knock-outs for 1 PG 9, 5 PG 11, and 1 PG 13.5.* RCPM 2500 terminal compartments has metric cable knock-outs for M12, M16, and M20. RCP/RCPM 2500 VO version, same as RCP 2500.

*VO versions subject to minimum order.

Accessories shown on drawing page.



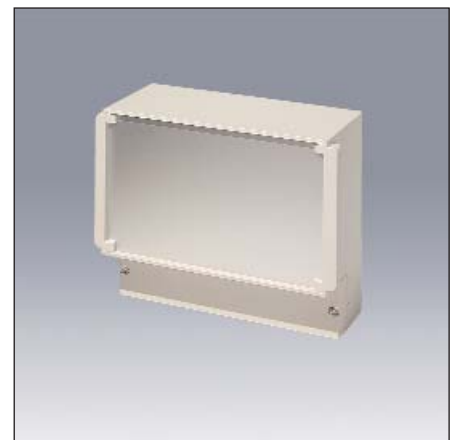
RCP/RCPM 250						
Model Number	Part Number	Height (Inches/mm)	Width (Inches/mm)	Depth (Inches/mm)	Weight lbs.	Drawing Page #
RCP 250	41250009	8.54 / 217	10.12 / 257	4.33 / 110	1.709	17-186
RCPM 250	41251009	8.54 / 217	10.12 / 257	4.33 / 110	1.709	17-186

RCP 250: Light gray ABS housing. IP 40 protection rating.

RCPM 250: Light gray ABS housing. IP 40 protection rating.

Including: RCP 250 with covering frame and PG cable knock-outs (1 PG 9, 5 PG 11 and 1 PG 13.5) on terminal compartment.* RCPM with covering frame and metric cable knock-outs for M12, M16, and M20.*

Accessories shown on drawing page.



RCP/RCPM 250 F						
Model Number	Part Number	Height (Inches/mm)	Width (Inches/mm)	Depth (Inches/mm)	Weight lbs.	Drawing Page #
RCP 250 F	41250609	8.54 / 217	10.12 / 257	4.41 / 112	2.046	17-186
RCPM 250 F	41251609	8.54 / 217	10.12 / 257	4.41 / 112	2.046	17-186

RCP 250 F: Light gray ABS housing. Up to IP 65 protection rating.

RCPM 250 F: Light gray ABS housing. Up to IP 65 protection rating.

Including: RCP 250 F with membrane front and PG cable knock-outs (1 PG 9, 5 PG 11, and 1 PG 13.5) on terminal compartment.* RCPM 250 F with membrane front and metric cable knock-outs for M 12, M16, and M 20.

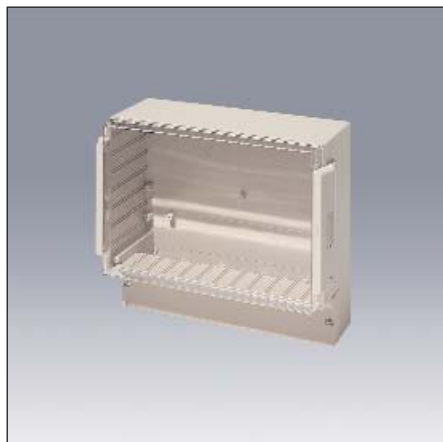
Accessories shown on drawing page.

*Tool inserts for smooth designs available. Minimum quantity, 500 pieces.

Note: Dimensions are external. Metric is the primary dimension. Inch conversions are for the user's convenience and are for reference only.



RCP/RCPM Housings Components



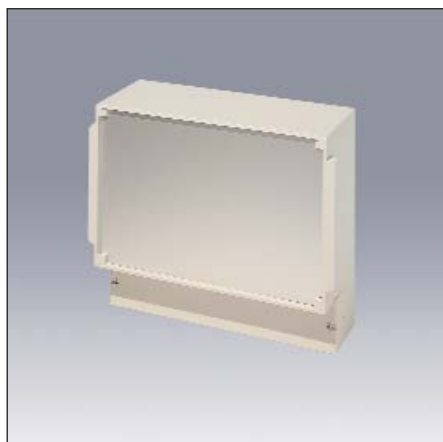
RCP/RCPM 3100 (VO)						
Model Number	Part Number	Height (Inches/mm)	Width (Inches/mm)	Depth (Inches/mm)	Weight lbs.	Drawing Page #
RCP 3100	41130109	10.27 / 261	11.65 / 296	5.20 / 132	2.889	17-187
RCP 3100 VO	41130400	10.27 / 261	11.65 / 296	5.20 / 132	2.886	17-187
RCPM 3100	41311109	10.27 / 261	11.65 / 296	5.20 / 132	2.889	17-187
RCPM 3100 VO	41311400	10.27 / 261	11.65 / 296	5.20 / 132	2.886	17-187

RCP 3100: Light gray ABS housing with polycarbonate clear lid. Up to IP 65 protection rating.
 RCP 3100 VO*: Light gray Lexan 500R housing w/Lexan 940A clear lid. Up to IP 65 protection rating.
 RCPM 3100: Light gray ABS housing with polycarbonate clear lid. Up to IP 65 protection rating.
 RCPM 3100 VO*: Light gray Lexan 500R housing w/Lexan 940A clear lid. Up to IP 65 protection rating.

Including: RCP 3100/RCPM 3100 with hinged lid and latch. RCP 3100 terminal compartment has PG cable knock-outs for 1 PG 9, 5 PG 11, and 1 PG 13.5. RCPM 3100 VO terminal compartment has metric cable knock-outs for M12, M16, and M20.* RCP 3100/RCPM 3100 VO version, same as RCP 3100.

*VO versions subject to minimum order.

Accessories shown on drawing page.



RCP/RCPM 310						
Model Number	Part Number	Height (Inches/mm)	Width (Inches/mm)	Depth (Inches/mm)	Weight lbs.	Drawing Page #
RCP 310	41310009	10.27 / 261	11.65 / 296	4.33 / 110	2.057	17-187
RCPM 310	41311009	10.27 / 261	11.65 / 296	4.33 / 110	2.057	17-187

RCP 310: Light gray ABS housing. IP 40 protection rating.

RCPM 310: Light gray ABS housing. IP 40 protection rating

Including: RCP 310 with covering frame and PG cable knock-outs (1 PG 9, 5 PG 11, and 1 PG 13.5) on terminal compartment. RCPM 310 with covering frame and metric cable knock-outs for M12, M16, and M20.*

Accessories shown on drawing page.



RCP/RCPM 310 F						
Model Number	Part Number	Height (Inches/mm)	Width (Inches/mm)	Depth (Inches/mm)	Weight lbs.	Drawing Page #
RCP 310 F	41310609	10.27 / 261	11.65 / 296	4.41 / 112	2.575	17-187
RCPM 310 F	41311609	10.27 / 261	11.65 / 296	4.41 / 112	2.575	17-187

RCP 310 F: Light gray ABS housing. IP 54 protection rating.

RCPM 310 F: light gray ABS housing. IP 54 protection rating.

Including: RCP 310 F with membrane front and PG cable knock-outs (1 PG 9, 5 PG 11, and 1 PG 13.5) on terminal compartment. RCPM 310 F with membrane front and metric cable knock-outs for M12, M16, and M20.*

Accessories shown on drawing page.

*Tool inserts for smooth designs available. Minimum quantity, 500 pieces.

Note: Dimensions are external. Metric is the primary dimension. Inch conversions are for the user's convenience and are for reference only.

RCP/RCPM Housings Components

RCP/RCPM 3500 (VO)						
Model Number	Part Number	Height (Inches/mm)	Width (Inches/mm)	Depth (Inches/mm)	Weight lbs.	Drawing Page #
RCP 3500	41350109	11.06 / 281	11.65 / 296	6.22 / 158	3.248	17-188
RCP 3500 VO	41350400	11.06 / 281	11.65 / 296	6.22 / 158	3.248	17-188
RCPM 3500	41351100	11.06 / 281	11.65 / 296	6.22 / 158	3.248	17-188
RCPM 3500 VO	41351400	11.06 / 281	11.65 / 296	6.22 / 158	3.248	17-188

RCP 3500: Light gray ABS housing with polycarbonate clear lid. Up to IP 65 protection rating.
 RCP 3500 VO*: Light gray Lexan 500R housing w/Lexan 940A clear lid. Up to IP 65 protection rating.
 RCPM 3500: Light gray ABS housing with polycarbonate clear lid. Up to IP 65 protection rating.
 RCPM 3500 VO*: Light gray Lexan 500R housing w/Lexan 940A clear lid. Up to IP 65 protection rating.

Including: RCP/RCPM 3500 with hinged lid and latch. RCP 3500 terminal compartment has PG cable knock-outs for 1 PG 9, 6 PG 11, and 1 PG 13.5. RCPM 3500 terminal compartment has metric cable knock-outs for M12, M16, and M20.* RCP/RCPM 3500 VO version, same as RCP/RCPM 3500.

*VO versions subject to minimum order.

Accessories shown on drawing page.

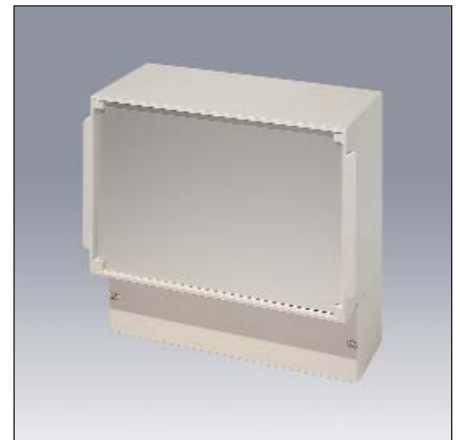


RCP/RCPM 350						
Model Number	Part Number	Height (Inches/mm)	Width (Inches/mm)	Depth (Inches/mm)	Weight lbs.	Drawing Page #
RCP 350	41350009	11.06 / 281	11.65 / 296	5.39 / 137	2.516	17-188
RCPM 350	41351009	11.06 / 281	11.65 / 296	5.39 / 137	2.516	17-188

RCP 350: Light gray ABS housing. IP 40 protection rating.

RCPM 350: Light gray ABS housing. IP 40 protection rating.

Including: RCP 350 with covering frame and PG cable knock-outs (1 PG 9, 6 PG 11, and 1 PG 13.5) on terminal compartment. RCPM 350 with covering frame and metric cable knock-outs for M12, M16 and M20.* Accessories shown on drawing page.



RCP/RCPM 350 F						
Model Number	Part Number	Height (Inches/mm)	Width (Inches/mm)	Depth (Inches/mm)	Weight lbs.	Drawing Page #
RCP 350 F	41350609	11.06 / 281	11.65 / 296	5.35 / 136	3.158	17-188
RCPM 350 F	41351609	11.06 / 281	11.65 / 296	5.35 / 136	3.158	17-188

RCP 350 F: Light gray ABS housing. IP 54 protection rating.

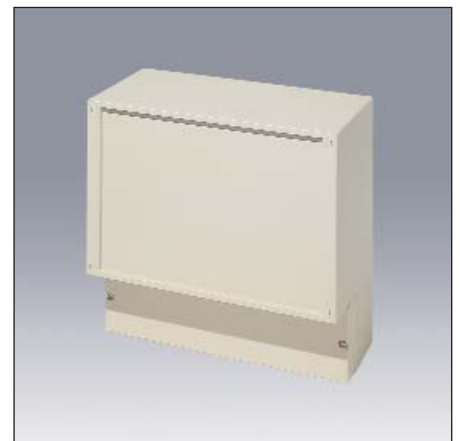
RCPM 350 F: Light gray ABS housing. IP 54 protection rating.

Including: RCP 350 F with membrane front and PG cable knock-outs (1 PG 9, 6 PG 11, and 1 PG 13.5) on terminal compartment. RCPM 350 F with membrane front and metric knock-outs for M12, M16, and M20.*

Accessories shown on drawing page.

*Tool inserts for smooth designs available. Minimum quantity, 500 pieces.

Note: Dimensions are external. Metric is the primary dimension. Inch conversions are for the user's convenience and are for reference only.



RCP/RCPM Housings Components



RCP/RCPM 4000 (VO)						
Model Number	Part Number	Height (Inches/mm)	Width (Inches/mm)	Depth (Inches/mm)	Weight lbs.	Drawing Page #
RCP 4000	41400109	12.56 / 319	14.29 / 363	5.90 / 150	5.296	17-189
RCP 4000 VO*	41400400	12.56 / 319	14.29 / 363	5.90 / 150	5.623	17-189
RCPM 4000	41401109	12.56 / 319	14.29 / 363	5.90 / 150	5.296	17-189
RCPM 4000 VO	41401400	12.56 / 319	14.29 / 363	5.90 / 150	5.623	17-189

RCP 4000: Light gray ABS housing with polycarbonate clear lid. Up to IP 65 protection rating.

RCP 4000 VO*: Light gray Lexan 500R housing w/Lexan 940A clear lid. Up to IP 65 protection rating.

RCPM 4000: Light gray ABS housing with polycarbonate clear lid. Up to IP 65 protection rating.

RCPM 4000 VO*: Light gray Lexan 500R housing w/Lexan 940A clear lid. Up to IP 65 protection rating.

Including: RCP/RCPM 4000 with hinged lid and latch. RCP 4000 terminal compartment has PG cable knock-outs for 1 PG 11, 6 PG 13.5, and 1 PG 16. RCPM 4000 terminal compartment has metric cable knock-outs for M16, M20, and M25.* RCP/RCPM 4000 VO version, same as RCP 4000.

*VO versions subject to minimum order.

Accessories shown on drawing page.



RCP/RCPM 400						
Model Number	Part Number	Height (Inches/mm)	Width (Inches/mm)	Depth (Inches/mm)	Weight lbs.	Drawing Page #
RCP 400	41400009	12.56 / 319	14.29 / 363	5.04 / 128	3.883	17-189
RCPM 400	41401009	12.56 / 319	14.29 / 363	5.04 / 128	3.883	17-189

RCP 400: Light gray ABS housing. IP 40 protection rating.

RCPM 400: Light gray ABS housing. IP 40 protection rating.

Including: RCP 400 with covering frame and PG cable knock-outs (1 PG 11, 6 PG 13.5, and 1 PG 16) on terminal compartment. RCPM 400 with covering frame and metric cable knock-outs on terminal compartment for M16, M20, and M25.*

Accessories shown on drawing page.



RCP/RCPM 400 F						
Part Number	Part Number	Height (Inches/mm)	Width (Inches/mm)	Depth (Inches/mm)	Weight lbs.	Drawing Page #
RCP 400 F	41400609	12.56 / 319	14.29 / 363	5.12 / 130	4.688	17-189
RCPM 400 F	41401609	12.56 / 319	14.29 / 363	5.12 / 130	4.688	17-189

RCP 400 F: Light gray ABS housing. IP 54 protection rating.

RCPM 400 F: Light gray ABS housing. IP 54 protection rating.

Including: RCP 400 F with membrane front and PG cable knock-outs (1 PG 11, 6 PG 13.5, and 1 PG 16) on terminal compartment. RCPM 400 F with membrane front and metric cable knock-outs for M16, M20, and M25.*

Accessories shown on drawing page.

*Tool inserts for smooth designs available. Minimum quantity, 500 pieces.

Note: Dimensions are external. Metric is the primary dimension. Inch conversions are for the user's convenience and are for reference only.

RCP/RCPM Housings Accessories

Accessories			
Model Number	Part Number	Description	Drawing Page #
WL 1230 RCP	41000300	Wall Brackets, pack of 2.	17-190
HK 1230 RCP	41002501	Hand Knob	17-190
SHLO-302	21008310	Cylinder Catch (0.37 lbs.)	17-190
Mounting Plates			
MP 1300 RCP	41000350	Mounting Plate for RCP/RCPM 130/1300 series, laminated paper, 2mm	17-191
MP 1600 RCP	41000400	Mounting Plate for RCP/RCPM 160/1600 series, RCP/RCPM 170/1700 series, laminated paper, 2mm	17-191
MP 2000 RCP	41000500	Mounting Plate for RCP/RCPM 200/2000 series, laminated paper, 2mm	17-191
MP 2500 RCP	41000600	Mounting Plate for RCP/RCPM 250/2500 series, laminated paper, 2mm	17-191
MP 3100 RCP	41000700	Mounting Plate for RCP/RCPM 310/3100 series, RCP/RCPM 350/3500 series, laminated paper, 2mm	17-191
MP 4000 RCP	41000800	Mounting Plate for RCP/RCPM 400/4000 series, laminated paper, 2mm	17-191
Front Panels			
FP 1300 RC	27000100	Front Panel for RCP 130/1300 series, anodized aluminum, 1mm	17-191
FP 1600 RC	27000300	Front Panel for RCP 160/1600 series, RCP 170/1700 series, anodized aluminum, 1mm	17-191
FP 2000 RC	27005000	Front Panel for RCP 200/2000 series, anodized aluminum, 1mm	17-191
FP 2500 RC	27000700	Front Panel for RCP 250/2500 series, anodized aluminum, 1mm	17-191
FP 3100 RC	27000100	Front Panel for RCP 310/3100 series, RCP 350/3500 series, anodized aluminum, 1mm	17-191
FP 4000 RC	27120000	Front Panel for RCP 400/4000 series, anodized aluminum, 1.5 mm	17-191
CombiBac Bases			
CB 1304	69130400	CombiBac base for RCP/RCPM 130F. See page 5-37. (.507 lbs.)	17-192
CB 1604	69160400	CombiBac base for RCP/RCPM 160F, RCP/RCPM 170F. See page 5-38. (.494 lbs.)	17-193
CB 1607	69160700	CombiBac base for RCP/RCPM 170F. See page 5-38. (.701 lbs.)	17-193
CB 2004	69200400	CombiBac base for RCP/RCPM 200F. See page 5-39. (.668 lbs.)	17-194
CB 2504	69250400	CombiBac base for RCP/RCPM 250F. See page 5-40. (.997 lbs.)	17-195
CB 2507	69250700	CombiBac base for RCP/RCPM 2500F. See page 5-40. (1.305 lbs.)	17-195
CB 3104	69310400	CombiBac base for RCP/RCPM 310F, RCP/RCPM 350F. See page 5-41. (1.394 lbs.)	17-196
CB 3107	69310700	CombiBac base for RCP/RCPM 310F, RCP/RCPM 350F. See page 5-41. (1.707 lbs.)	17-196
CB 3110	69311000	CombiBac base for RCP/RCPM 350F. See page 5-41. (2.324 lbs.)	17-196
CB 4004	69400400	CombiBac base for RCP/RCPM 400F. See page 5-42. (2.024 lbs.)	17-197
CB 4007	69400700	CombiBac base for RCP/RCPM 400F. See page 5-42. (2.514 lbs.)	17-197
CB 4010	69401000	CombiBac base for RCP/RCPM 400F. See page 5-42. (2.437 lbs.)	17-197

All accessories will fit new RCPM versions.



Cylinder Catch/Hand Knob: The cylinder catch or hand knob can be retro-fitted later in the mounting opening in the snap lock. If a blind plug or cylinder catch are fitted, they can easily be released from the rear and pressed out.

Wall Brackets: For 4-point wall mounting. Attachment is on the rear of the enclosure from the outside. Light gray similar to RAL 7035. Matches all RCP/RCPM enclosures. Material: ABS.

Mounting Plates: These 2mm laminated paper mounting plates are fitted with drill holes for mounting in the enclosure and terminal compartment.

Front Panels: The aluminum front panels are anodized, 1mm or 1.5mm. Note: When used with RCP/RCPM enclosures, front panels up to 3mm thick can be installed.

CombiBac Bases are made of galvanized sheet steel. Can be used with RCP/RCPM...F versions for installation in control panels and flush-mounted installations.



RCP/RCPM Control Housings

RCP/RCPM 130 (F) - RCP/RCPM 1300 (VO) External Dimensions: L186 x W131 x D103 mm

Page 5-26, 27

Standard Features

- RCP 1300/41130109
- RCP 1300 VO/41130400
- RCPM 1300/41131109
- RCPM 1300 VO0/41131400

Enclosures with hinged lid and latch. Light gray, ABS housing with polycarbonate clear lid. VO models feature Lexan clear lid. Includes: enclosure base, hinged clear lid mounted with latch, terminal compartment cover, blind plug, catch and screws.

- RCP 130/41130009
- RCPM 130/41131009

Enclosures with covering frame. Light gray, ABS housing. Includes: enclosure base, covering frame, terminal compartment cover and screws.

- RCP130 F/41130609
- RCPM 130 F/41131609

Enclosures with membrane front. Light gray ABS housing. Includes: enclosure base, recessed front lid, terminal compartment cover, screw covers and screws.

Accessories

For all models:

- MP 1300 RCP/41000350 Laminated paper mounted plate 2mm.
- WL 1230 RCP/41000300 Wall bracket (pack of two)

RCP/RCPM 1300 (VO) Accessories:

- SHLO-302/21008310 Cylinder catch.
- HK 1230 RCP/41002501 Hand knob.
- FP 1300 RC/27000100 Anodized aluminum front panel, 1 mm

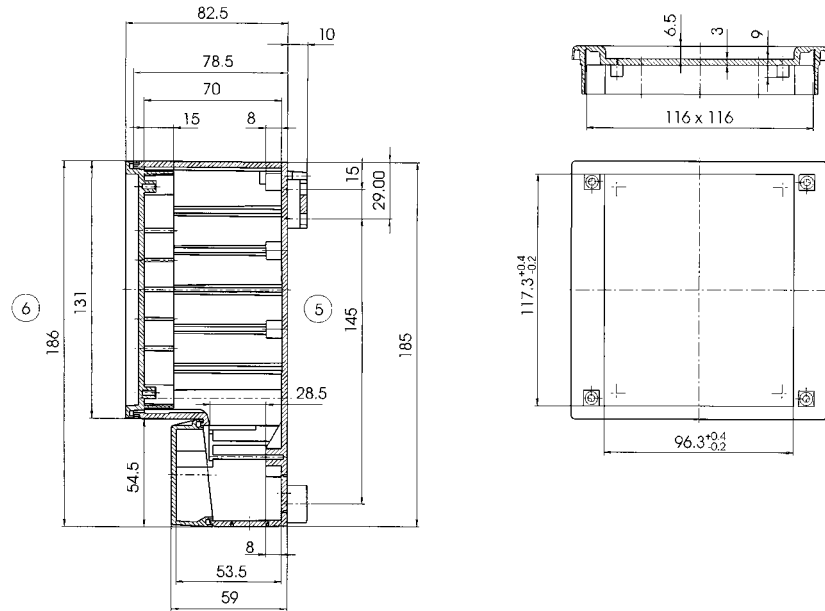
RCP/RCPM 130 Accessories:

- FP 1300 RC/27000100 Anodized aluminum front panel, 1 mm

RCP/RCPM 130 F Accessories:

- CB 1304/69130400 CombiBac base.

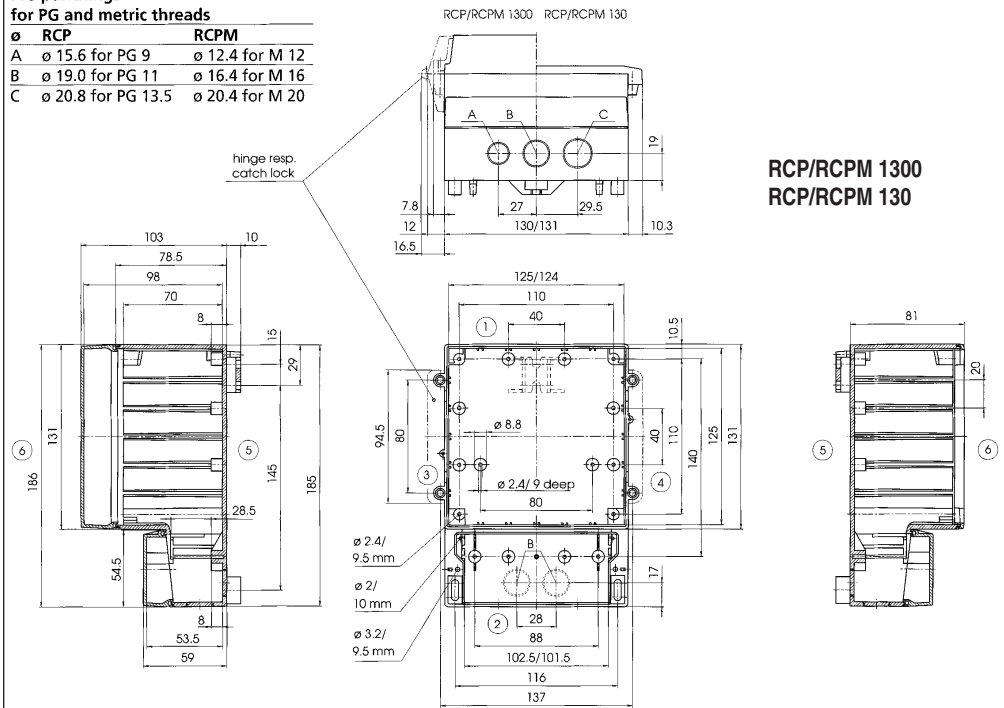
RCP/RCPM 130 F



Pre-punchings

for PG and metric threads

Ø RCP	RCPM
A Ø 15.6 for PG 9	Ø 12.4 for M 12
B Ø 19.0 for PG 11	Ø 16.4 for M 16
C Ø 20.8 for PG 13.5	Ø 20.4 for M 20



RCP/RCPM Control Housings

RCP/RCPM 170 (F) - RCP/RCPM 1700 (VO) External Dimensions: L161 x W166 x D121 mm

Page 5-26, 29

Standard Features

- RCP1700/41170109
 - RCP 1700 VO/41170400
 - RCPM 1700/41171109
 - RCPM 1700 VO/41171400
- Enclosures with hinged lid and latch. Light gray, ABS housing with polycarbonate clear lid. VO models feature Lexan clear lid. Includes: enclosure base, hinged clear lid mounted with latch, terminal compartment cover, blind plug, catch and screws.
- RCP 170/41170009
 - RCPM 170/41171009
- Enclosures with covering frame. Light gray, ABS housing. Includes: enclosure base, covering frame, terminal compartment cover and screws.
- RCP 170 F/41170609
 - RCPM 170 F/41171609
- Enclosure with membrane front. Light gray ABS housing. Includes: enclosure base, recessed front lid, terminal compartment cover, screw covers and screws.

Accessories

For all models:

- MP 1600 RCP/41000350 Laminated paper mounted plate, 2 mm thick.
- WL 1230 RCP/41000300 Wall bracket (pack of two).

RCP/RCPM 1700 (VO) Accessories:

- SHLO-302/21008310 Cylinder catch.
- HK 1230 RCP/41002501 Hand knob.
- FP 1600 RC/27000300 Anodized aluminum front panel, 1 mm thick.

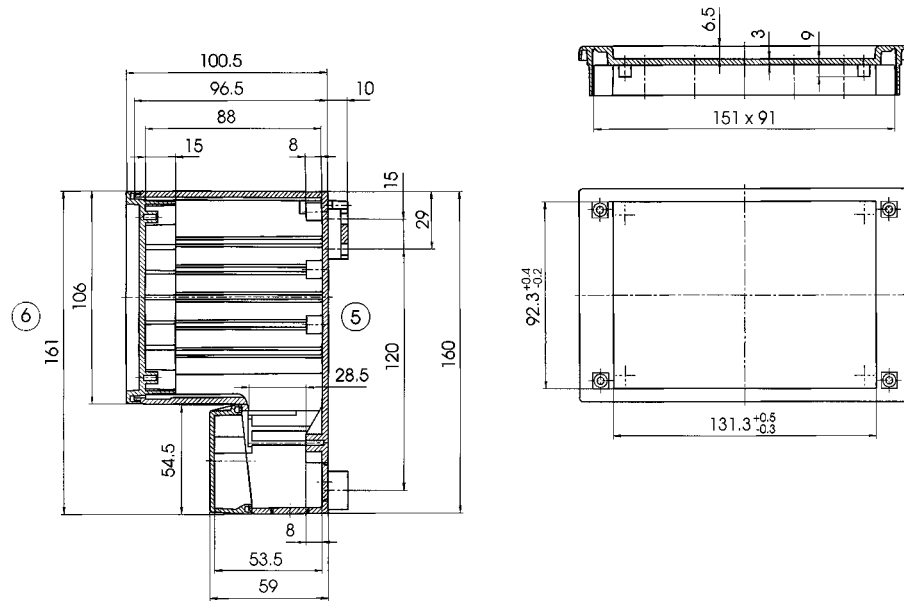
RCP/RCPM 170 Accessories:

- FP 1600 RC/27000300 Anodized aluminum front panel, 1 mm thick.

RCP/RCPM 170 F Accessories:

- CB 1604/69160400 CombiBac base.
- CB 1607/69160700 CombiBac base.

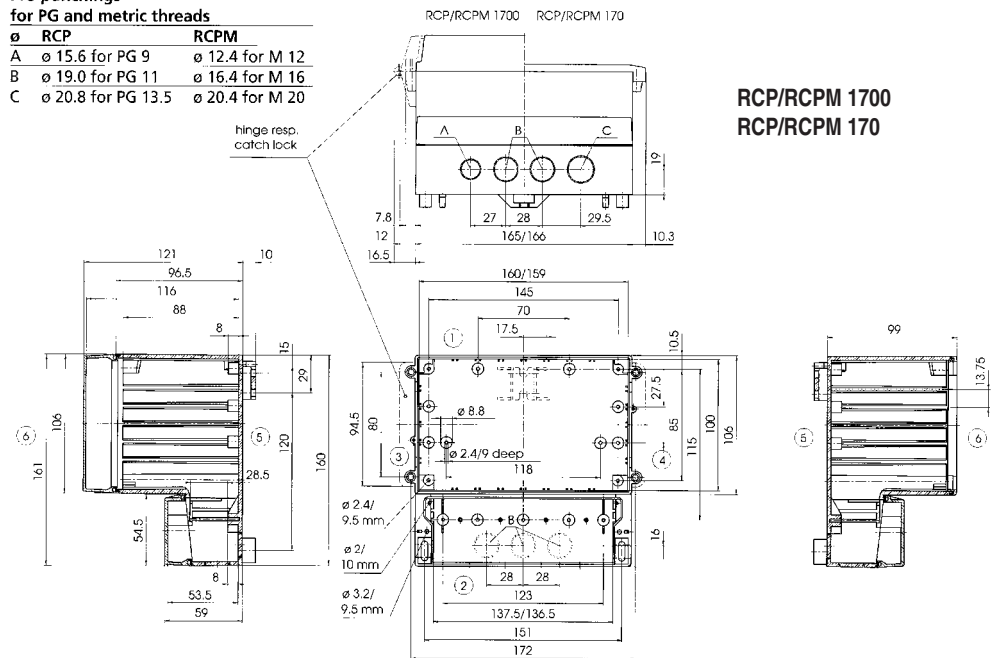
RCP/RCPM 170 F



Pre-punchings

for PG and metric threads

ø RCP	RCPM
A ø 15.6 for PG 9	ø 12.4 for M 12
B ø 19.0 for PG 11	ø 16.4 for M 16
C ø 20.8 for PG 13.5	ø 20.4 for M 20





Standard Features

- RCP 2000/41200309
 - RCP 2000 VO/41200400
 - RCPM 2000/41201309
 - RCPM 2000 VO/41201400
- Enclosures with hinged lid and latch. Light gray, ABS housing with polycarbonate clear lid. VO models feature Lexan clear lid. Includes: enclosure base, hinged clear lid mounted with latch, terminal compartment cover, blind plug, catch and screws.
- RCP 200/41200009
 - RCPM 200/41201009
- Enclosures with covering frame. Light gray, ABS housing. Includes: enclosure base, covering frame, terminal compartment cover and screws.
- RCP 200 F/41200609
 - RCPM 200 F/41201609
- Enclosures with membrane front. Light gray ABS housing. Includes: enclosure base, recessed front lid, terminal compartment cover, screw covers and screws.

Accessories

For all models:

- MP 2000 RCP/41000500 Laminated paper mounted plate 2 mm thick.
- WL 1230 RCP/41000300 Wall bracket (pack of two).

RCP/RCPM 2000 (VO) Accessories:

- SHLO-302/21008310 Cylinder catch.
- HK 1230 RCP/41002501 Hand knob.
- FP 2000 RC/27005000 Anodized aluminum front panel, 1 mm thick.

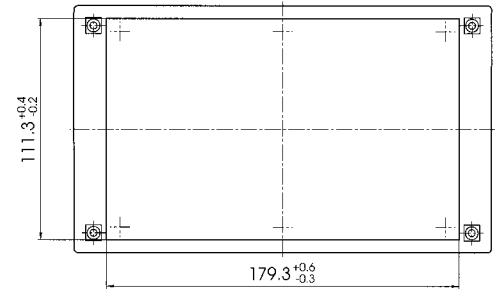
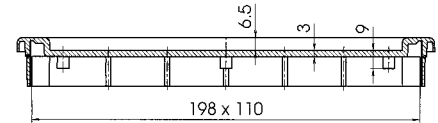
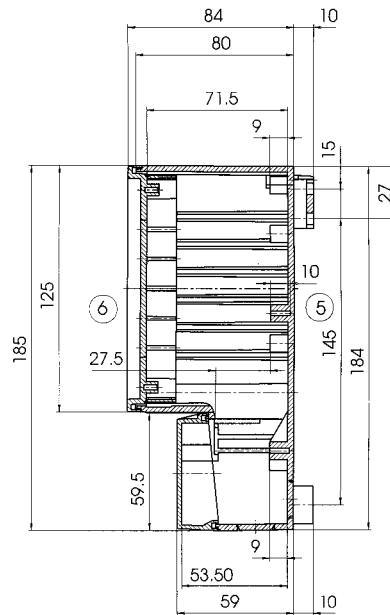
RCP/RCPM 200 Accessories:

- FP 2000 RC/27005000 Anodized aluminum front panel, 1 mm thick.

RCP/RCPM 200 F Accessories:

- CB 2004/69200400 CombiBac base.

RCP/RCPM 200 F

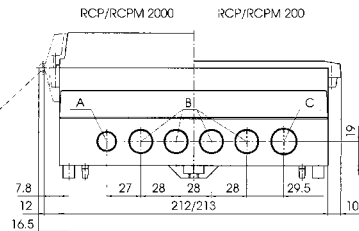


Pre-punchings

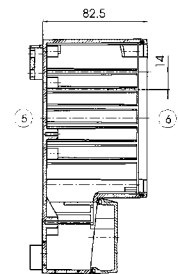
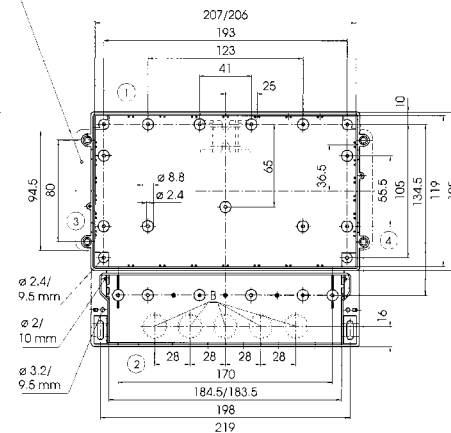
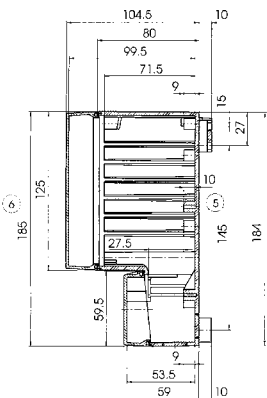
for PG and metric threads

ø RCP	RCPM
A ø 15.6 for PG 9	ø 12.4 for M 12
B ø 19.0 for PG 11	ø 16.4 for M 16
C ø 20.8 for PG 13.5	ø 20.4 for M 20

hinge resp. catch lock



RCP/RCPM 2000
RCP/RCPM 200



RCP/RCPM Control Housings

RCP/RCPM 250 (F) - RCP/RCPM 2500 (VO)

External Dimensions: L217 x W257 x D133 mm

Page 5-26, 31

Standard Features

- RCP 2500/41250109
- RCP 2500 VO/41250400
- RCPM 2500/41251109
- RCPM 2500 VO/41251400

Enclosures with hinged lid and latch. Light gray, ABS housing with polycarbonate clear lid. VO models feature Lexan clear lid. Includes: enclosure base, hinged clear lid mounted with latch, terminal compartment cover, blind plug, catch and screws.

- RCP 250/41250009
- RCPM 250/41251009

Enclosures with covering frame. Light gray, ABS housing. Includes: enclosure base, covering frame, terminal compartment cover and screws.

- RCP 250 F/41250609
- RCPM 250 F/41251609

Enclosures with membrane front. Light gray ABS housing. Includes: enclosure base, recessed front lid, terminal compartment cover, screw covers and screws.

Accessories

For all models:

- MP 2500 RCP/41000600 Laminated paper mounted plate 2 mm.
- WL 1230 RCP/41000300 Wall bracket (pack of two).

RCP/RCPM 2500 (VO) Accessories:

- SHLO-302/21008310 Cylinder catch.
- HK 1230 RCP/41002501 Hand knob.
- FP 2500 RC/27000700 Anodized aluminum front panel, 1 mm.

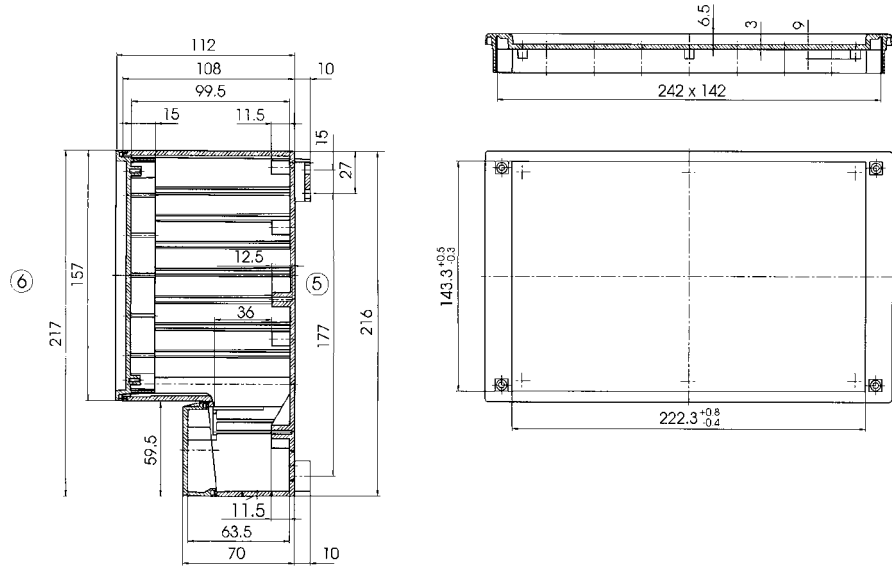
RCP/RCPM 250 Accessories:

- FP 2500 RC/27000700 Anodized aluminum front panel, 1 mm.

RCP/RCPM 250 F Accessories:

- CB 2504/69250400 CombiBac base.
- CB 2507/69250700 CombiBac base.

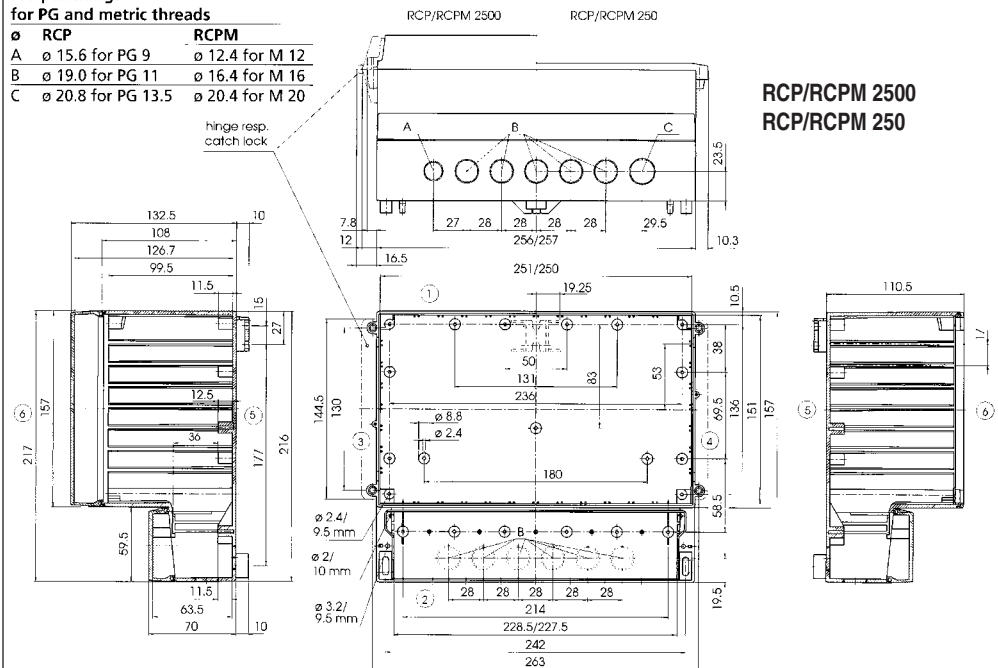
RCP/RCPM 250 F



Pre-punchings

for PG and metric threads

Ø RCP	RCPM
A Ø 15.6 for PG 9	Ø 12.4 for M 12
B Ø 19.0 for PG 11	Ø 16.4 for M 16
C Ø 20.8 for PG 13.5	Ø 20.4 for M 20



RCP/RCPM Control Housings

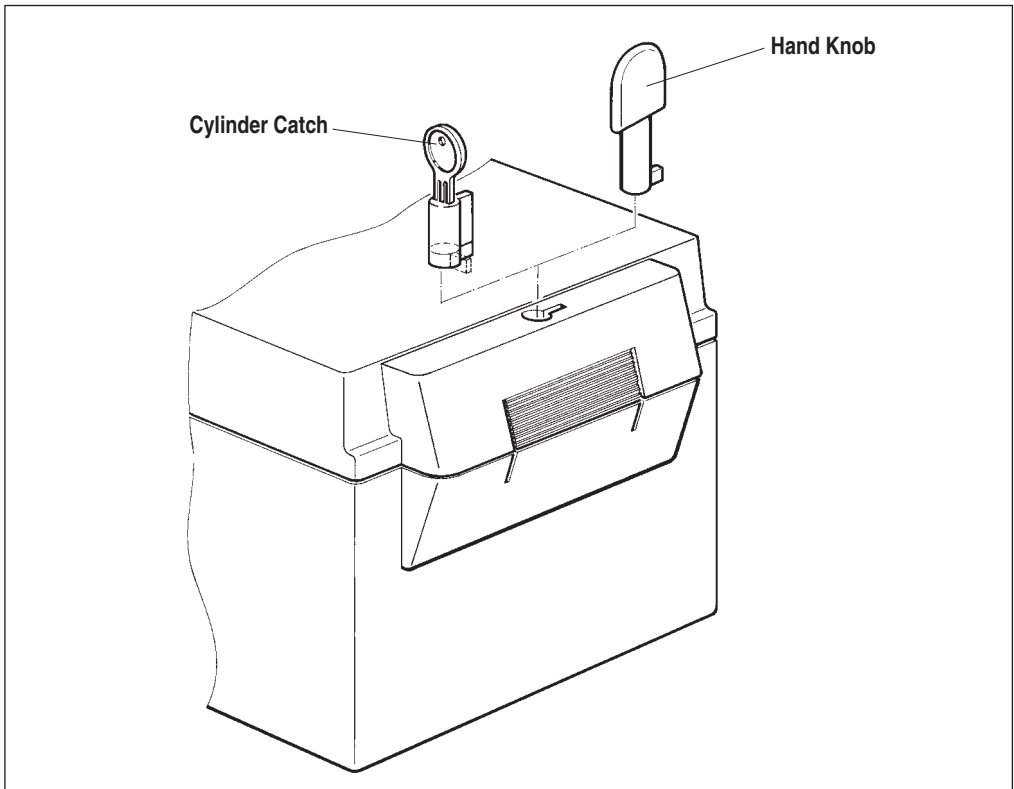
RCP/RCPM Accessories

Page 5-35

Accessories

The cylinder catch or hand knob can be retrofitted later in the mounting opening in the snap lock. If a blind plug or cylinder catch are fitted, they can easily be released from the rear and pressed out.

- SHLO-302/21008310 Cylinder catch
- HK 1230 RCP/41002501 Hand knob



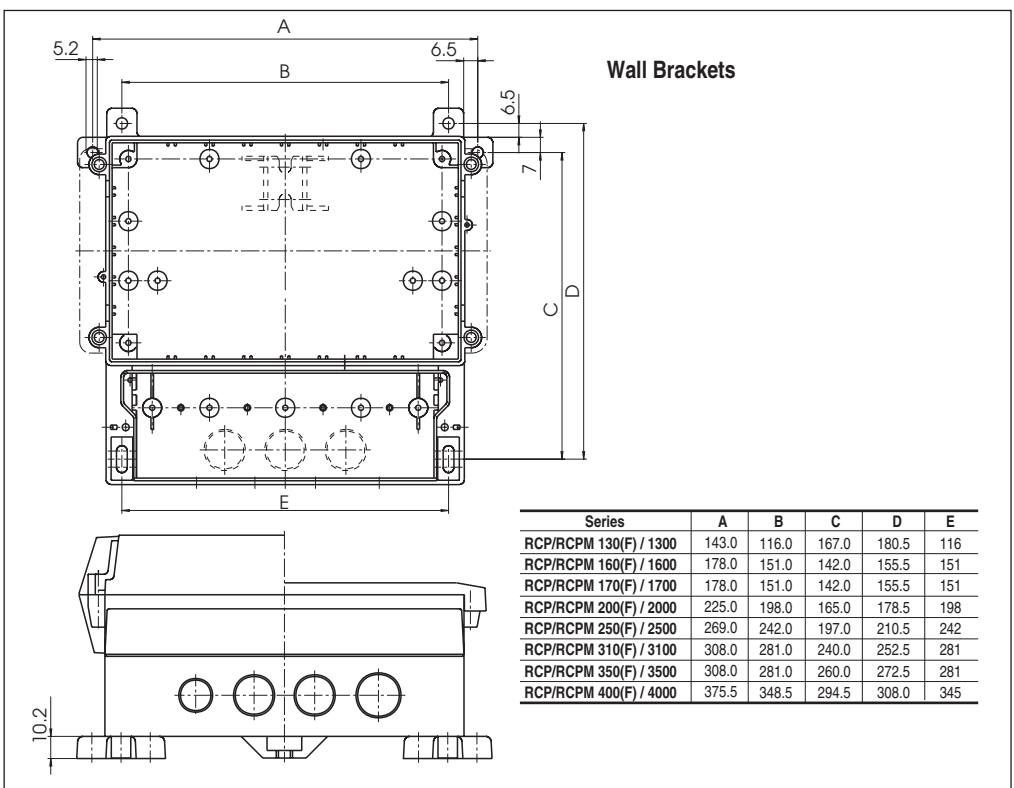
RCP/RCPM Accessories

Page 5-35

Accessories

• WL 1230 RCP/41000300 Wall Bracket for a four point wall assembly used for mounting on the rear of an enclosure from the outside. Matches all RCP/RCPM enclosures. (pack of two)

Material: ABS, light gray, similar to RAL 7035.





RCP/RCPM Mounting Plates Page 5-35

Accessories

Mounting plates. These laminated paper mounting plates are fitted with drill holes for mounting in the enclosure and terminal compartment. 2 mm thick.

- MP 1300 RCP/41000350
- MP 1600 RCP/41000400
- MP 2000 RCP/41000500
- MP 2500 RCP/41000600
- MP 3100 RCP/41000700
- MP 4000 RCP/41000800

Mounting Plates

Part #	Model #	Series	A	B	C	D	E
41000350	MP 1300 RCP	RCP/RCPM 130	101	151.0	40.0	140.0	88
41000400	MP 1600 RCP	RCP/RCPM 160 / 170	136	126.0	70.0	115.0	123
41000500	MP 2000 RCP	RCP/RCPM 200	186	144.5	123.0	134.5	170
41000600	MP 2500 RCP	RCP/RCPM 250	227	177.0	131.0	166.0	214
41000700	MP 3100 RCP	RCP/RCPM 310 / 350	266	216.0	175.5	205.0	253
41000800	MP 4000 RCP	RCP/RCPM 400	326	261.0	140.0	250.0	313

RCP/RCPM Front Panels Page 5-35

Accessories

Front Panels. These anodized aluminum front panels are 1 mm (MP 4000 RCP, 1.5 mm thick).

Note: When used with RCP/RCPM enclosures, front panels up to 3 mm thick can be installed.

- FP 1300 RC/27000100
- FP 1600 RC/27000300
- FP 2000 RC/27000500
- FP 2500 RC/27000700
- FP 3100 RC/27000100
- FP 4000 RC/2712000

Front Panels

Part #	Model #	Series	A	B	C	D	E
27000100	FP 1300 RC	RCP/RCPM 130	124.5	124.5	110	110	4.2
27000300	FP 1600 RC	RCP/RCPM 160 / 170	159.5	99.5	145	85	4.2
27000500	FP 2000 RC	RCP/RCPM 200	206.5	118.5	193	105	4.2
27000700	FP 2500 RC	RCP/RCPM 250	250.5	150.5	236	136	4.2
27000100	FP 3100 RC	RCP/RCPM 310 / 350	288.4	188.8	275	175	4.2
27120000	FP 4000 RC	RCP/RCPM 400	354.5	224.5	336	206	4.2

Dimensional Drawings