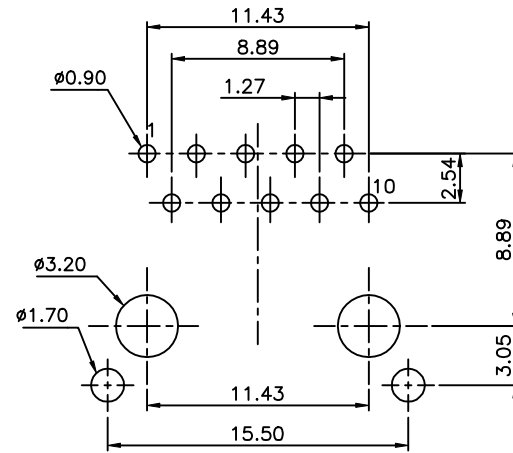
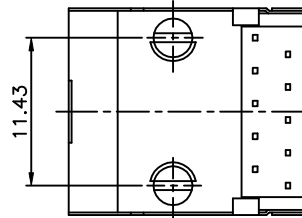
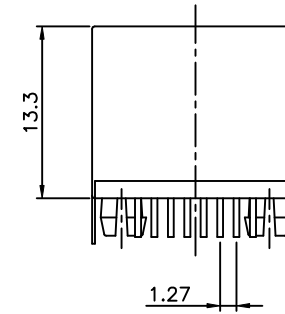
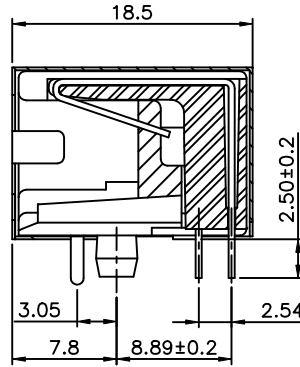
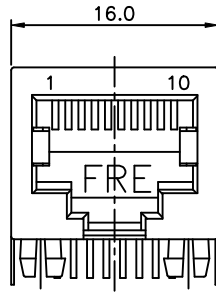


REVISION RECORD				
REV	ECO	DESCRIPTION	DRFT	CHKD
△		ADD P/N	SMW/03/05/05	
△		MODIFY P/N	SMW/03/30/05	



PC Board Layout Component Side Shown

NOTES:
ELECTRICAL:

- VOLTAGE RATING : 125 VAC RMS.
- CURRENT RATING : 1.5 AMP.
- CONTACT RESISTANCE : 40 MILLIOHMS MAX.
- INSULATION RESISTANCE: 1000 MEGOHMS MIN @ 500 VDC.
- DIELECTRIC STRENGTH : 1000 VAC RMS 60Hz, 1MIN.

MECHANICAL:

- HOUSING MATERIAL : GLASS FILLED POLYESTER UL94V-0.
- CONTACT MATERIAL : PHOSPHOR BRONZE t=0.35mm.
- PLATING : GOLD PLATING OVER NICKEL.
- OPERATING LIFE : 750 CYCLES MIN.
- PCB RETENTION PRE-SOLDER : 1 LB MIN.
- PCB RETENTION POST-SOLDER: 10 LBS MIN.

ENVIRONMENTAL:

- STORAGE : -40°C TO +85°C.
- OPERATION: 0°C TO 70°C.

MATES WITH MODULAR PLUG CONFORMING TO FCC PART 68, SUBPART F.

CUL FILE NO. E163191

△ PART NUMBER: E560X-XE004X

- | | | |
|--------|-----------|-----------|
| 8- 8C | 1- 3u" | 2- 6u" |
| 1- 10C | 3-15u" | 4-30u" |
| | 5-50u" | 6-Pd 20u" |
| | 0- TIN | |
| | 4- NICKEL | |

DETACHED LISTS	MM (INCH)		DFTO LFE	DATE 4/8/'02	FULL RISE ELECTRONIC CO., LTD	
	TOLERANCES EXCEPT AS NOTED		CHKD ANKUE	DATE 2005/3/30		
	MM	±	MFO	DATE	TITLE 17.6 SIDE ENTRY PCB JACK 10P	
	.0 ± 0.2	±	APPVLLUSHENG	DATE 2005/3/30		
.00 ± 0.15	±	MATERIAL :		DRAWING NO. GE563074	SIZE A3	REV 2
.000 ± 0.075	±	ANGLES ± 0.5		/PART NO. SEE NOTE		
THIRD ANGLE PROJECTION		FINISH :		DO NOT SCALE DRAWING		SHEET X OF Y
		SCALE : 2.5 : 1				