

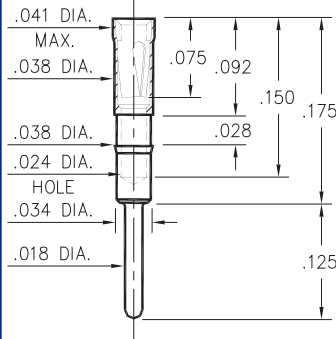


# PIN RECEPTACLES

for .015" - .018" diameter pins (#09 contact)  
 for .015" - .020" diameter pins (#11 contact)  
 and .015" - .022" diameter pins (#21 contact)  
 (see specific contact range on pages 216 & 217)

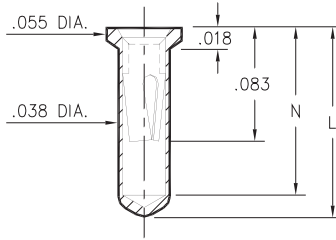


## 0467



**0467-0-15-XX-21-XX-04-0**  
 Press-fit in .037 mounting hole

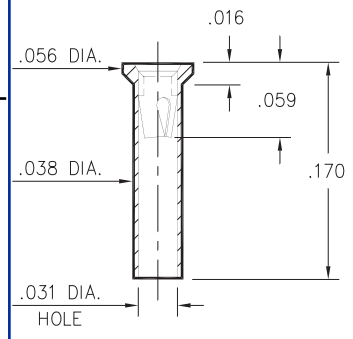
## 0552



**0552-X-15-XX-X1-XX-10-0**  
 Solder mount in .040 min. mounting hole  
 Also available on 16mm wide carrier  
 tape: 1,500 parts per 13" reel.  
 Order as: 0552-X-57-XX-X1-XX-10-0

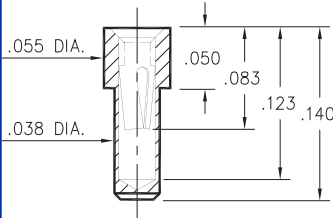
Basic Part Number	Length L	Depth N
0552-1	.136	.120
0552-2	.170	.150

## 5522



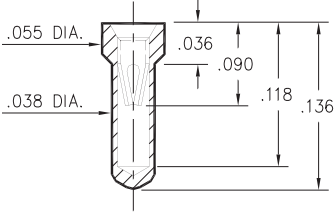
**5522-0-15-XX-09-XX-10-0**  
 Solder mount in .040 min. mounting hole

## 0569



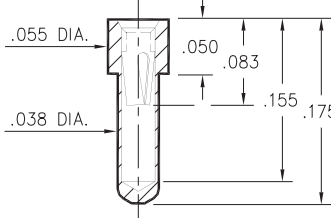
**0569-0-15-XX-X1-XX-10-0**  
 Solder mount in .040 min mounting hole

## 6023



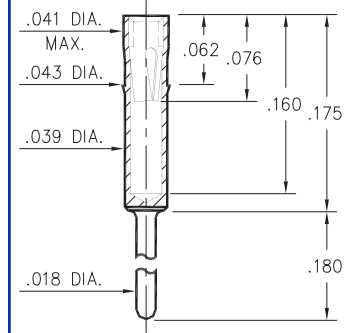
**6023-0-15-XX-21-XX-10-0**  
 Solder mount in .040 min mounting hole

## 6214



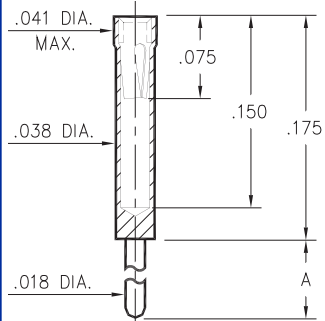
**6214-0-15-XX-21-XX-10-0**  
 Solder mount in .040 min mounting hole

## 2086



**2086-0-15-XX-21-XX-04-0**  
 Press-fit in .040 mounting hole

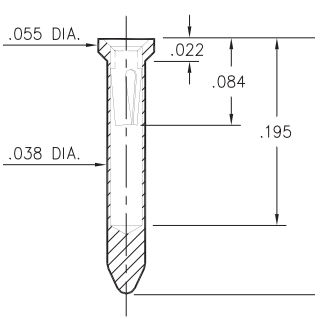
## 0461



**0461-X-15-XX-X1-XX-04-0**  
 Solder mount in .020 min. mounting hole

Basic Part Number	Length A
0461-0	.400
0461-1	.275
0461-2	.180
0461-3	.125
0461-4	.060
0461-5	.440

## 8579



**8579-0-15-XX-X1-XX-10-0**  
 Solder mount in .040 min mounting hole

Basic Part Number	Length L
8579-0	.234
8579-1	.295

### SPECIFICATIONS

**SHELL MATERIAL:**  
 Brass Alloy 360, 1/2 Hard

**CONTACT MATERIAL:**  
 Beryllium Copper Alloy 172, HT

**DIMENSION IN INCHES**  
**TOLERANCES ON:**  
 LENGTHS: ±.005  
 DIAMETERS: ±.002  
 ANGLES: ± 2°

**ORDER CODE: XXXX - X - 15 - XX - XX - XX - XX - 0**

**BASIC PART #**

**SPECIFY SHELL FINISH:**  
 01 200μ" TIN/LEAD OVER NICKEL  
 ◇ 80 200μ" TIN OVER NICKEL (RoHS)  
 ◇ 15 10μ" GOLD OVER NICKEL (RoHS)

**SPECIFY CONTACT FINISH:**  
 02 100μ" TIN/LEAD OVER NICKEL  
 ◇ 84 100μ" TIN OVER NICKEL (RoHS)  
 ◇ 27 30μ" GOLD OVER NICKEL (RoHS)



**SELECT CONTACT**

#09, #11 or #21 CONTACT (DATA ON PAGE 217)