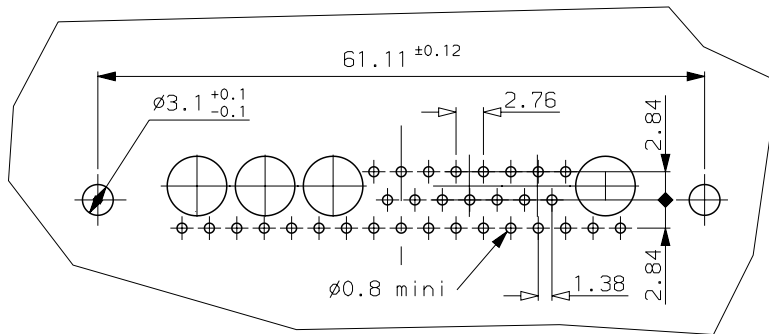


PC card drilling dimensions (after plating)



ELECTRICAL DATA

-Current at AMB.	5A
-I max	7.5A
-Contact resistance	<7.3ma
-Insulation resistance	>5000Ma
-TEST VOLTAGE	
contact/contact	>1000V
contact/ground	>1200V

MECHANICAL DATA

-Contact force	≥0.20N
-Retention force	≥20N
-Insertion force	according to DIN41652 Part 2
-Withdrawal force	according to DIN41652 Part 2
-Mechanical endurance	>500 matings/unmatings
-Material shell	steel, bright cadmium -Lead
-Material insulator	glass filled thermoset UL94V0
-Material contacts	brass
-Finish on contact area	0.4 μ gold
-Finish on termination end	bright gold -Lead
-Solderability	according to DIN 41640 Part 70, test 12a
-Shock	according to DIN41640 Part 14, test 6c, 50g
-Vibration	according to DIN41640 Part 15, test 6d, 20g
	10 to 2000Hz: discontinuity <1μs

ENVIRONMENTAL DATA

-Climatic category	-55/155/56
-Corrosion	salt spray: 48h

Part number	DDM36W4P300N		
b	12/11/96	Revised to day .	----
ISS	DATE	Latest modification by : JARRY	MOD N°
Designed by: JARRY date 03/05/94			Type of drawing: CLIENT
TITLE : MALE CONNECTORS STRAIGHT SPILLS			SHEET 01
SCALE: 2.0			
	FRAMATOME CONNECTORS FRANCE Rue Louis Breguet - BP 05 72024 LE MANS Cedex Tel. 33 (16) 43.84.08.43		This document is the property of FRAMATOME CONNECTORS FRANCE It must not be reproduced or communicated without permission in writing from the owners
FORMAT A3	SOURIAU DRG N° C01-8639-0551		PROJECT M94D001