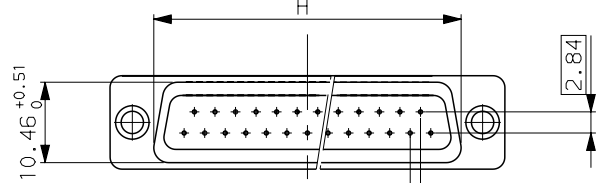
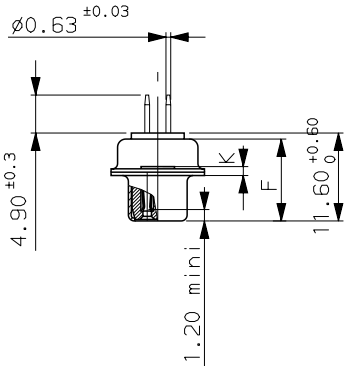
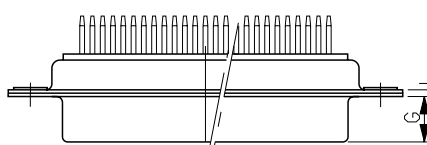
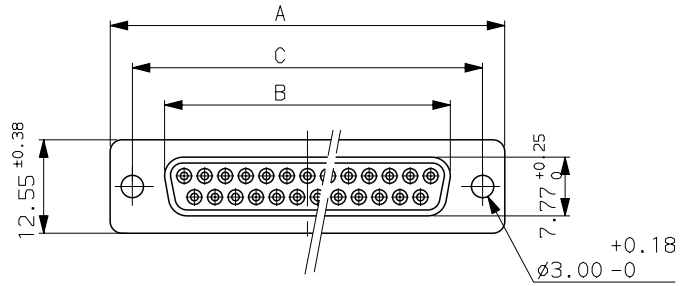


H G F E D C B A



1.37 for size 09 and 15
1.38 for size 25 and 37

Dimensions are in millimeters

Shell size	Number of contacts	A ^{+0.76} ₀	B ^{+0.25} ₀	C ^{±0.12}	F ^{+0.51} ₀	G ^{+0.25} ₀	H ^{+0.51} ₀	K Max	L ^{+0.22} ₀	PART NUMBER
E	09	30.43	16.21	24.99	10.64	6.05	19.02	1.50	0.80	DE09S36* T
A	15	38.76	24.54	33.32	10.64	6.05	27.25	1.50	0.80	DA15S36* T
B	25	52.65	38.25	47.04	10.64	6.05	41.02	1.50	0.80	DB25S36* T
C	37	68.94	54.71	63.50	10.64	6.05	57.45	1.50	0.80	DC37S36* T

Plating: 4 ---> Flash AU
Plating: 5 ---> 0.75µ AU
Plating: 6 ---> 1.27µ AU
Plating: 7 ---> 0.4µ AU

ELECTRICAL DATA

- Current at AMB. 4A
- I max 5A
- Contact resistance ≤10mΩ
- Insulation resistance >5000MΩ
- TEST VOLTAGE
- contact/contact ≥1000V
- contact/ground ≥1200V

MECHANICAL DATA

- Contact force ≥0.20N
- Retention force >20N
- Insertion force according to DIN41652 Part 2
- Withdrawal force according to DIN41652 Part 2
- Mechanical endurance >500 matings/unmatings
- Material shell steel, bright tin-lead
- Material insulator glass filled thermoplastic UL94V0
- Material contacts phosphor bronze
- Finish on contact area gold over nickel
- Finish on termination end bright tin-lead over nickel
- Solderability according to DIN 41640 Part 70, test 12a
- Schock according to DIN41640 Part 14, test 6c, 50g
- Vibration according to DIN41640 Part 15, test 6d, 20g
- 10 to 2000Hz: discontinuity <1µs

ENVIRONMENTAL DATA

- Climatic category -55/125/21
- Corrosion salt spray: 24h

h	30/03/01	Add plating 4. Delete draw C-8636-0807, C-8636-0814 and C01-8636-0808.	--
ISS	DATE	Latest modification by : JOUBERT	MOD N°
Designed by: pesson		date 30/03/01	Type of drawing: CLIENT
TITLE : SOCKET CONNECTORS D SUB.WITH STRAIGHT DIP SOLDER PINS			SHEET 1/1
SCALE: 1.5			
		FRAMATOME CONNECTORS FRANCE Rue Louis Breguet - BP 05 72024 LE MANS Cedex Tel. 33 (16) 43.84.08.43	This document is the property of FRAMATOME CONNECTORS FRANCE It must not be reproduced or communicated without permission in writing from the owners
FORMAT	SOURIAU DRG N°		PROJECT
A3	C01-8636-0119		M94D001

H G F E D C B A