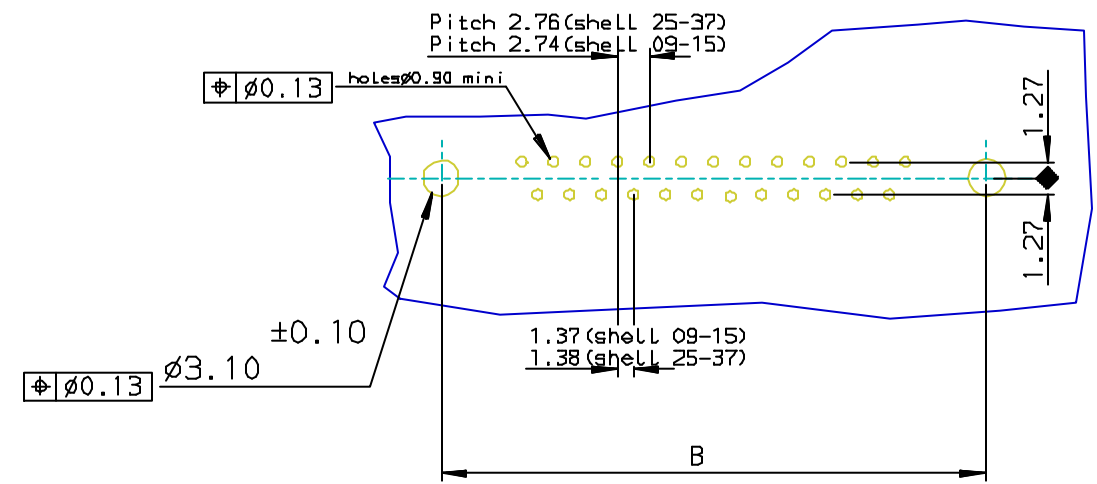


PC card drilling dimensions (after plating)  
(thickness 1.60±0.20mm)



Part Number & Date Code Printing

LF FOR LEAD FREE

| SHELL | A±0.38 | B±0.12 | C±0.10 | D±0.25 | PART NUMBER    | PART NUMBER    |
|-------|--------|--------|--------|--------|----------------|----------------|
| 09    | 30.81  | 24.99  | 16.96  | 16.21  | D09S13F6GL00** | D09S13F6GX00** |
| 15    | 39.14  | 33.32  | 25.18  | 24.54  | D15S13F6GL00** | D15S13F6GX00** |
| 25    | 53.03  | 47.04  | 39.12  | 38.25  | D25S13F6GL00** | D25S13F6GX00** |
| 37    | 69.32  | 63.50  | 55.68  | 54.71  | D37S13F6GL00** | D37S13F6GX00** |

Threaded M3

Threaded UNC 4.40

Part number SEE TABLE

REQUIREMENTS

Technical characteristics.

Shell: steel tin/Zinc Cr3 plated  
Insulators: self-extinguishing thermoplastic, UL class 94V0  
Contacts size 20: brass, gold 0.76µ on mating end, bright tin on termination end over nickel on entire contact  
Cycles < 500

Harpoons: brass, tin plated

Metal plate for electrical continuity: brass, tin /Zinc Cr3 plated

Nuts: brass, tin/Zinc Cr3 plated

Electrical characteristics.

max. current rating: 5A  
Test voltage: 1000V  
Rated voltage: 300V  
Contact resistance: <15mΩ  
Shell resistance: <5mΩ  
Insulation resistance: >5000MΩ

Climatic characteristics.

Operating temperature range: -55°C +125°C

Dimensions:

In accordance with MIL-C-24308

FOR ROHS DETAILS REFER DWG.NO: C01-8646-0000

European Views

|                                       |             |                       |                                   |                  |
|---------------------------------------|-------------|-----------------------|-----------------------------------|------------------|
| www.fciconnect.com                    |             | surface<br>ISO 1302 ✓ | tolerance std<br>ISO 406 ISO 1101 | projection<br>mm |
| TOLERANCES UNLESS OTHERWISE SPECIFIED |             |                       |                                   |                  |
| Dr                                    | JOHN SLEEBA | 1994/07/04            | ANGULAR                           | 0.X ±0.1         |
| Eng                                   | GEORGE VJ   | 1994/07/04            | LINEAR                            | 0.XX ±0.1        |
| Chr                                   | GEORGE VJ   | 2005/07/27            | 0.XX* ±1*                         | 0.XXX ±0.1       |
| Appr                                  | KVSD        | 2005/07/27            | Product family                    | D-SUB            |
| title                                 |             |                       |                                   | size A3          |
| SOCKET CONNECT.DELTA D right angle    |             |                       |                                   | Scale 1:1        |
| with nut, harpoon, metal plate        |             |                       |                                   | ECN -            |
| catalog no DELTA-D                    |             |                       |                                   | Spec ref -       |
| FCi                                   |             |                       | dwg no                            | Rev.             |
|                                       |             |                       | C01-8646-0265                     | E                |
|                                       |             |                       | CUSTOMER                          | sheet 1 of 1     |

| rev | ecn no   | dr | date       |
|-----|----------|----|------------|
| D   | 105-0124 | JS | 2005/07/27 |
| E   | 106-0074 | SK | 2006/06/08 |
| -   | -        | -  | -          |
| -   | -        | -  | -          |
| -   | -        | -  | -          |
| -   | -        | -  | -          |



Copyright FCI.