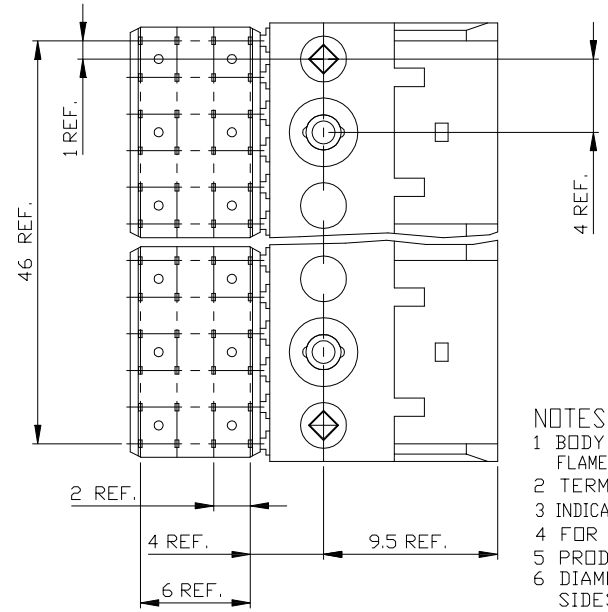
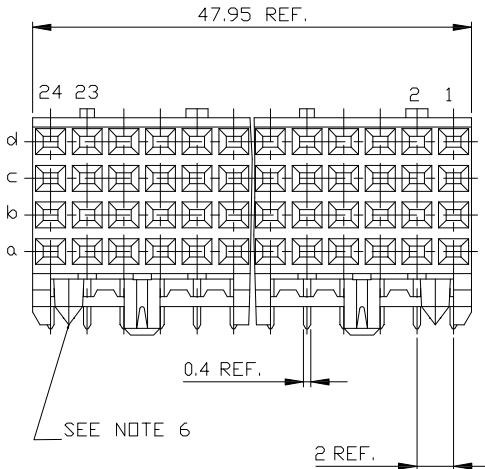
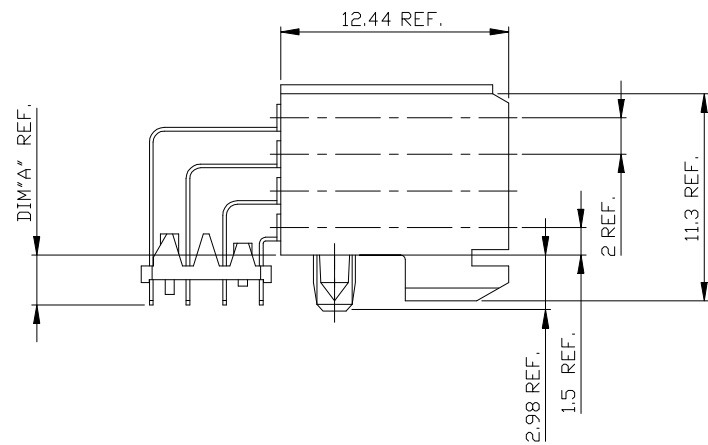
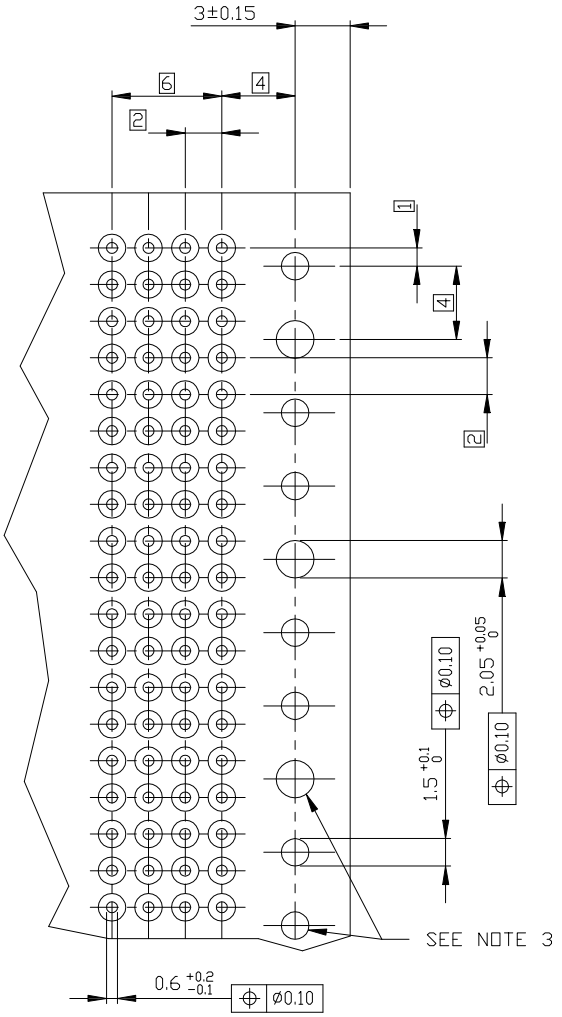
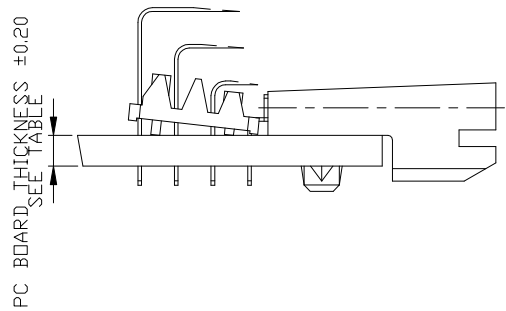


All rights strictly reserved. Reproduction or issue in any form without written authority from the proprietor.
 Tous droits strictement réservés. Reproduction ou communication à des tiers sans autorisation écrite du propriétaire.
 © F C I S.A.

PC BOARD VERSIONS		
PRODUCTNR:	PCB THICKNESS	DIM"A"
89037-X01/X01LF	1.6	2.90
89037-X11/X11LF	2.4	3.53



PRODUCT AFTER PC BOARD APPLICATION.



RECOMMENDED HOLE PATTERN, COMPONENT SIDE.

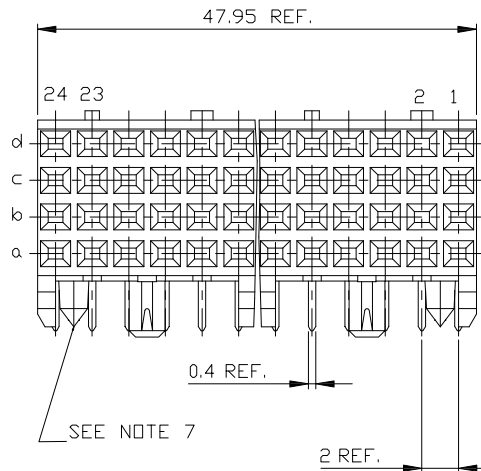
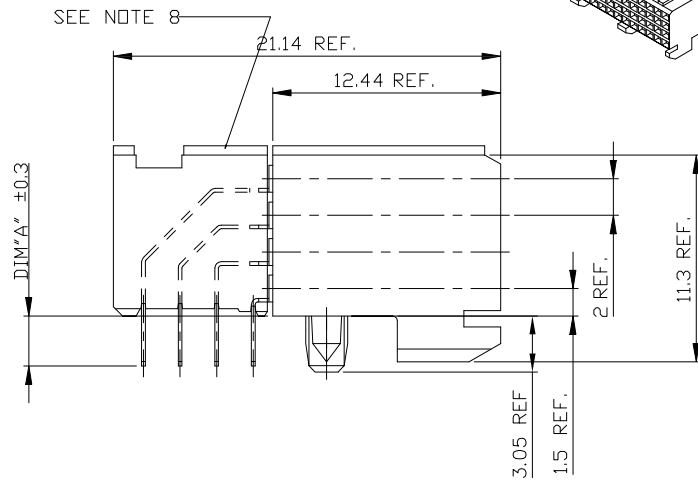
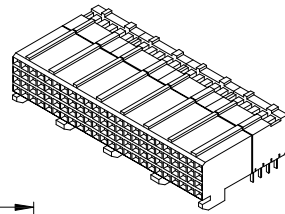
- NOTES:
- 1 BODY MAT'L: LIQUID CRYSTAL POLYMER 30% GLASS FLAME RETARDANT ACC. UL 94-V0
 - 2 TERMINAL MATERIAL: PHOSPHOR BRONZE.
 - 3 INDICATED HOLES ARE UNPLATED.
 - 4 FOR PLATING SPEC, REFER TO DRAWING 10097866.
 - 5 PRODUCT MARKING: PARTNUMBER & BATCH ID.
 - 6 DIAMOND LOCATION PEG ARE ONLY EXISTED ON THE BOTH SIDES OF PRODUCT.
 - 7 THIS PRODUCT MEETS EUROPEAN UNION DIRECTIVES AND OTHER COUNTRY REGULATIONS AS DESCRIBED IN GS-22-008.
 - 8 THE HOUSING WILL WITHSTAND EXPOSURE TO 260DEGREE PEAK TEMPERATURE FOR 10 SECONDS IN A WAVE SOLDER APPLICATION.

PLATING CONTACT AREA:	
DASH NR:	PERFORMANCE LEVEL
-1YY/1YYLF	TELCORDIA CO
-2YY/2YYLF	CUSTOMER SPECIAL
-3YY/3YYLF	CUSTOMER SPECIAL

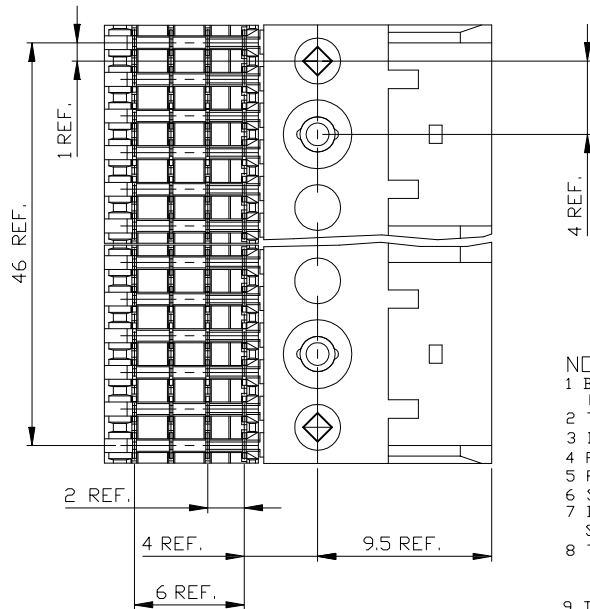
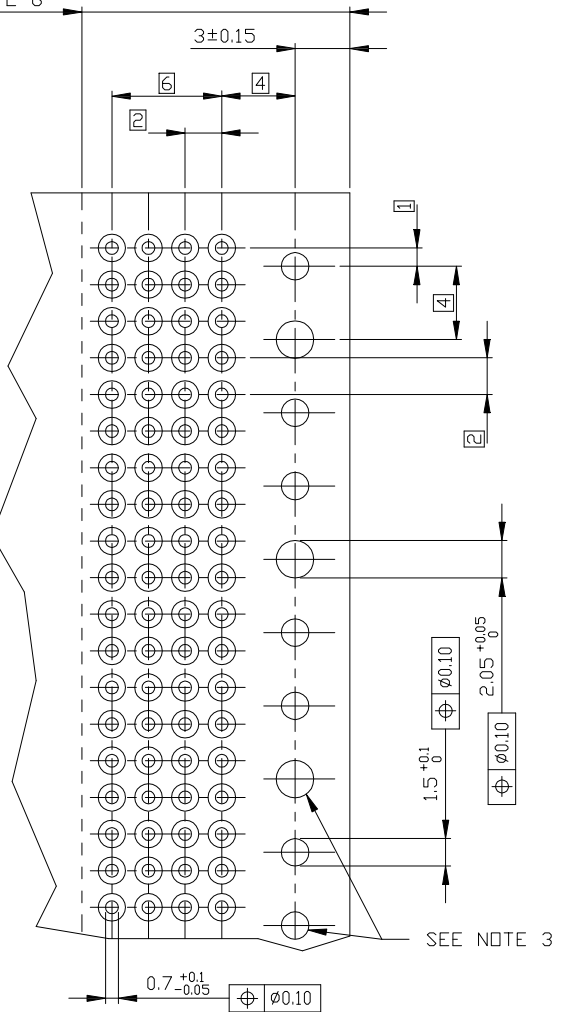
mat'l. code		tolerances unless otherwise specified		CUSTOMER CDPY	www.fciconnection.com
ltr	ecndr	linear	0.XX±0.13	projection	
J	DG04-004	Clu	041221	⊕	
K	DG06-0478	Cenh	11/23/06	⊕	
L	DG07-071	Cenh	05/25/07	0°±2'	
M	DG08-071	TIER	8/26/08	dir	
N	DG09-0068	Cenh	03/03/09	engr	
P	DG09-0376	Cenh	26/11/09	chr	
		app	J.vintjes	scale	
sheet	revision	P	P	51	
index	sheet	1	2	3	

product family	code
METRAL(tn)	213
product size	89037
sheet	1 of 3

PC BOARD VERSIONS		
PRODUCTNR:	PCB THICKNESS	DIM"A"
89037-X02/X02LF	1.6	2.90
89037-X12/X12LF	2.4	3.53

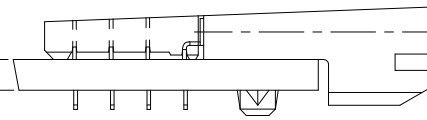


14.64 REF. SEE NOTE 6



PC BOARD THICKNESS ±0.20
SEE TABLE

PRODUCT AFTER PC BOARD APPLICATION.



NOTES:

- BODY MAT'L: LIQUID CRYSTAL POLYMER 30% GLASS
FLAME RETARDANT ACC. UL 94-V0
- TERMINAL MATERIAL: PHOSPHOR BRONZE.
- INDICATED HOLES ARE UNPLATED.
- FOR PLATING SPEC, REFER TO DRAWING 10097866.
- PRODUCT MARKING: PARTNUMBER & BATCH ID.
- SET BACK FOR PRESS BLOCK.
- DIAMOND LOCATION PEG ARE ONLY EXISTED ON THE BOTH SIDES OF PRODUCT.
- TOP SURFACE OF PRESS BLOCK MAY EXTEND UP TO 0.4MM HIGHER THAN HOUSING. THIS MAY AFFECT THE TAIL LENGTH BEFORE APPLICATION TO A BOARD
- THIS PRODUCT MEETS EUROPEAN UNION DIRECTIVES AND OTHER COUNTRY REGULATIONS AS DESCRIBED INGS-22-008.
- THE HOUSING WILL WITHSTAND EXPOSURE TO 260DEGREE PEAK TEMPERATURE FOR 10 SECONDS IN A WAVE SOLDER APPLICATION.

RECOMMENDED HOLE PATTERN,
COMPONENT SIDE.

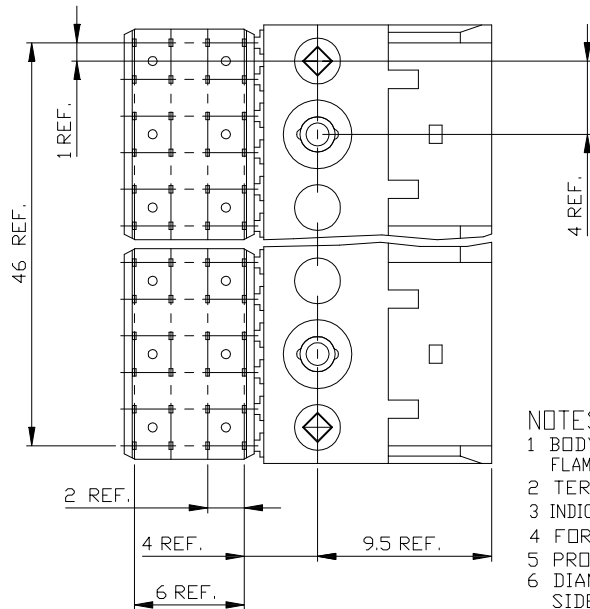
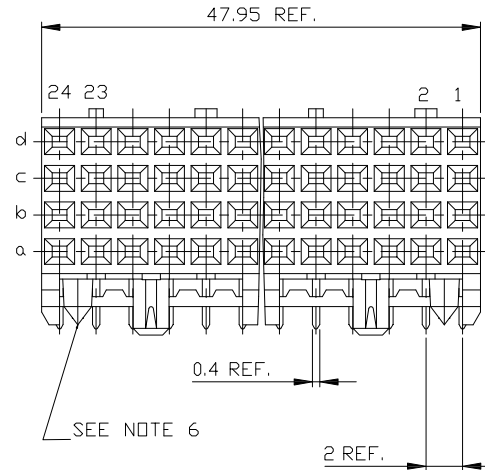
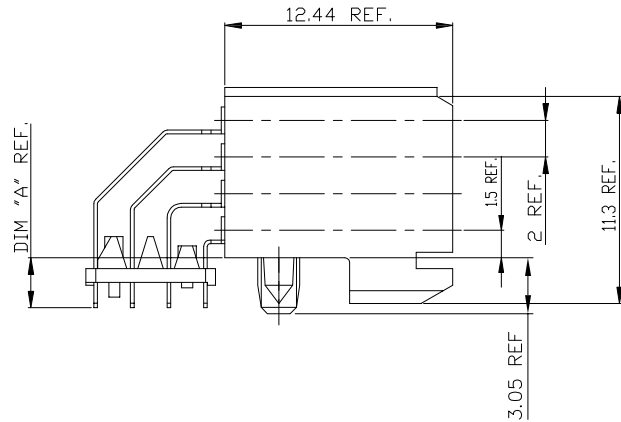
PLATING CONTACT AREA:	
DASH NR:	PERFORMANCE LEVEL
-1YY/1YYLF	TELCORDIA CO
-2YY/2YYLF	CUSTOMER SPECIAL
-3YY/3YYLF	CUSTOMER SPECIAL

mat'l. code		tolerances unless otherwise specified		CUSTOMER CDPY	 www.fciconnection.com
l	tr	ec	nd	dr	
linear		0.XX±0.3		projection	 title RA FEMALE SIGNAL 48 mm PRESS PEG
angles		0.XXX±0.051		product family METRAL(tm)	
dir	D. de Bil	970529		scale	code 213
engr	P. Schalk	970529		size	sheet 2 of 2
chr	P. Schalk	970529		scale 5:1	
app	H. Cooljans	970529			
sheet index	revision	sheet			

All rights strictly reserved. Reproduction or issue in any form without written authority from the proprietor. Property of F.C.I. bv. © F.C.I. bv.



PC BOARD VERSIONS		
PRODUCTNR:	PCB THICKNESS	DIM"A"
89037-X03/X03LF	1.6	2.90
89037-X13/X13LF	2.4	3.53

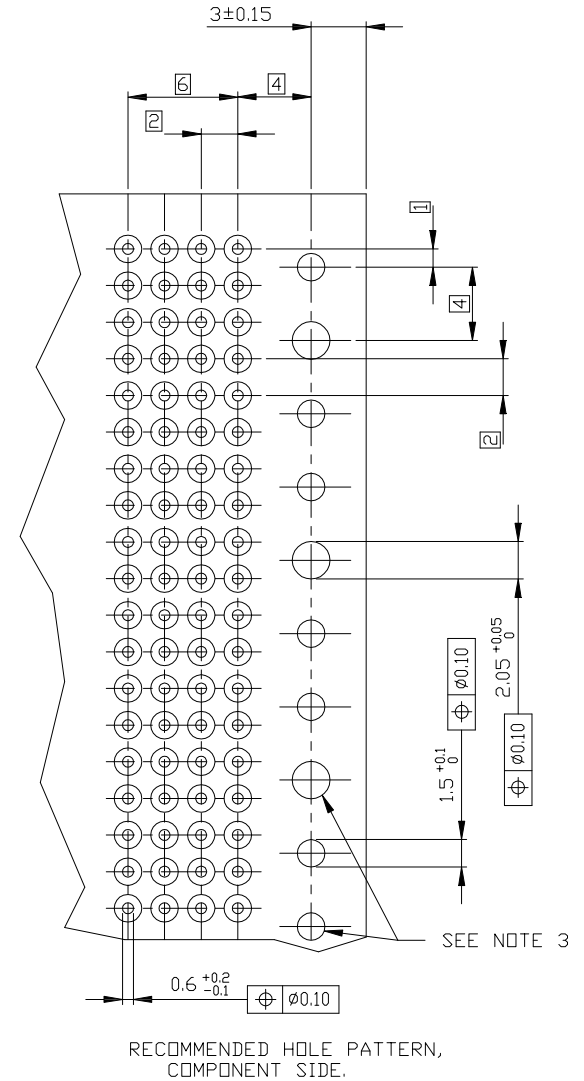


PRODUCT AFTER PC BOARD APPLICATION.

PC BOARD THICKNESS ±0.20
SEE TABLE

NOTES:

- 1 BODY MAT'L: LIQUID CRYSTAL POLYMER 30% GLASS
FLAME RETARDANT ACC. UL 94-V0
- 2 TERMINAL MATERIAL: PHOSPHOR BRONZE.
- 3 INDICATED HOLES ARE UNPLATED.
- 4 FOR PLATING SPEC, REFER TO DRAWING 10097866.
- 5 PRODUCT MARKING: PARTNUMBER & BATCH ID.
- 6 DIAMOND LOCATION PEG ARE ONLY EXISTED ON THE BOTH SIDES OF PRODUCT.
- 7 THIS PRODUCT MEETS EUROPEAN UNION DIRECTIVES AND OTHER COUNTRY REGULATIONS AS DESCRIBED IN GS-22-008.
- 8 THE HOUSING WILL WITHSTAND EXPOSURE TO 260DEGREE PEAK TEMPERATURE FOR 10 SECONDS IN A WAVE SOLDER APPLICATION.



RECOMMENDED HOLE PATTERN,
COMPONENT SIDE.

PLATING CONTACT AREA:	
DASH NR:	PERFORMANCE LEVEL
-1YY/1YYLF	TELCORDIA CO
-2YY/2YYLF	CUSTOMER SPECIAL
-3YY/3YYLF	CUSTOMER SPECIAL

mat'l. code		tolerances unless otherwise specified		CUSTOMER CDPY		www.fciconnection.com	
ltr	ecn	ndr	date	linear	0.X±0.3	projection	title
P					0.XX±0.13	⊕	RA FEMALE SIGNAL
					0.XXX±0.051	⊕	48 mm PRESS PEG
				angles	0°±*	mm	product family METRAL(tn)
	dir	Heaven Cen	11/23/06				code
	engr	Collins Lu	11/23/06				213
	chr	Beer Fu	11/23/06	scale	5:1		sheet
	app	Joseph Hsla	11/23/06				3 of-
sheet	revision						
index	sheet						