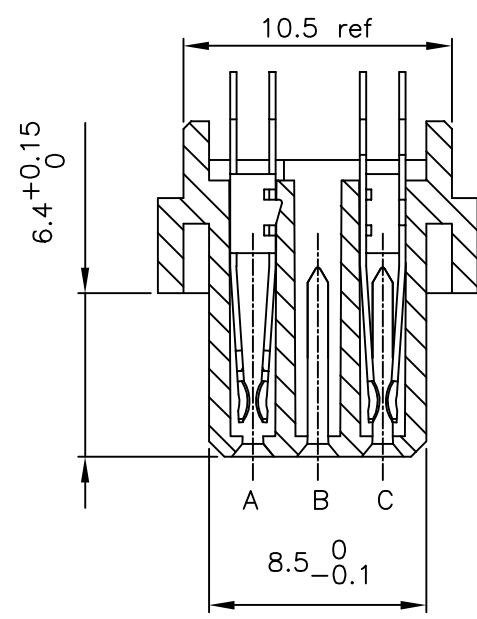
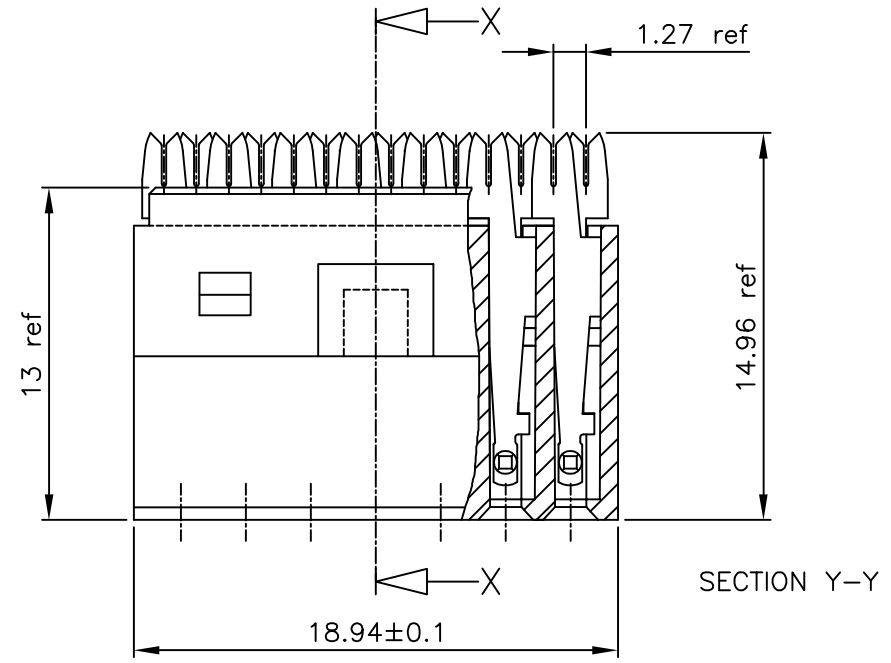
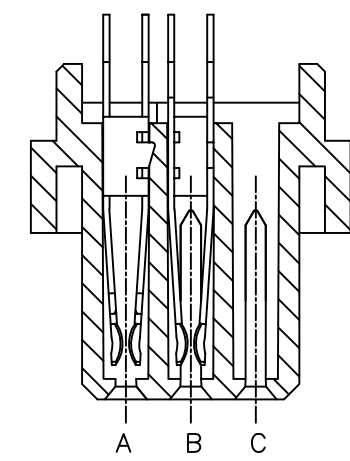
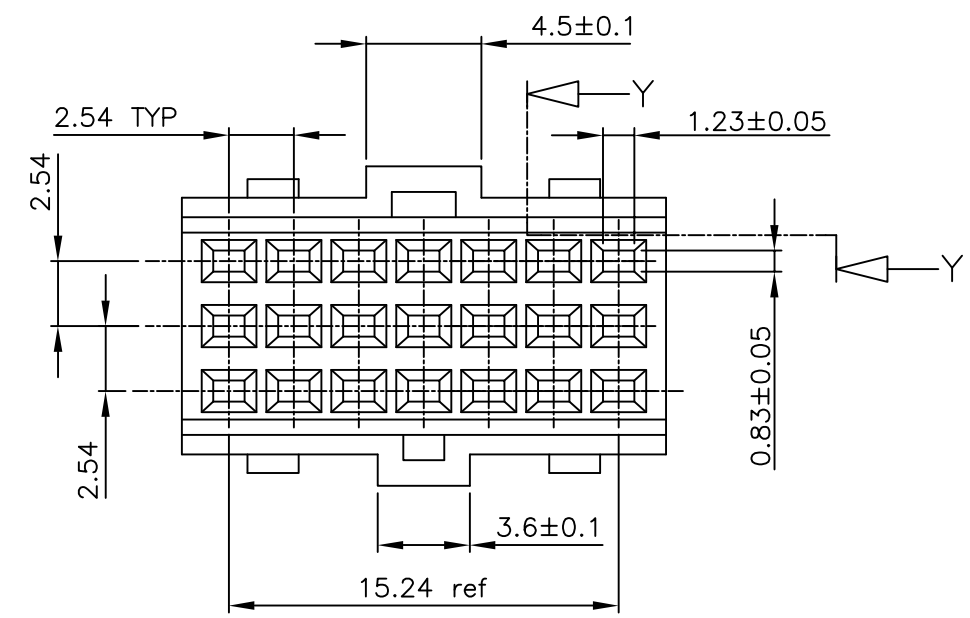


PRODUCT NUMBER	Number of Terminals	AWG	ROW	X=pos terminal						
				1	2	3	4	5	6	7
75948-X01	2 x 7	28 Str. / 30 Sol.	c	X	X	X	X	X	X	X
			b							
			a	X	X	X	X	X	X	X
75948-X02	2 x 7	28 Str. / 30 Sol.	c							
			b	X	X	X	X	X	X	X
			a	X	X	X	X	X	X	X



SECTION X-X
ACCORDING TO 75948-X01



SECTION X-X
ACCORDING TO 75948-X02

NOTE:-
 1. THE "LF" PRODUCTS MEET EUROPEAN UNION DIRECTIVES AND OTHER COUNTRY REGULATIONS AS DESCRIBED IN GS-22-008.
 2. LEAD FREE OR RoHS DIRECTIVE LABELLING TO BE PROVIDED AS PER GS-14-920 FOR LEAD FREE VERSION.

NOTES:
 1.MATERIAL HOUSING: POLYESTER 30% GLASS FILLED COLOUR GREY, FLAME RETARDANT PER UL-94-V0
 2.MATERIAL CONTACT: PHOSPHOR BRONZE
 3.FOR CABLE APPLICATION SEE TA 310
 4."LF" SUFFIX TO THE PRODUCT NUMBER FOR LEAD FREE OR RoHS COMPATIBLE PRODUCTS.

PRODUCT CODE YZ	PLATING CONTACT AREA	PLATING PIERCING AREA
75948-4YY	2.0 um Au min over 3.0 um Ni	0.1-0.2 um Ni
75948-2YY	0.5 um Au min over 3.0 um Ni	0.1-0.2 um Ni
75948-1YY	1.0 um Au min over 3.0 um Ni	0.1-0.2 um Ni
75948-0YY	3.0 um Au min over 3.0 um Ni	0.1-0.2 um Ni

mat'l. code		surface		tolerance		projection		product family	
see notes		ISO 1302		ISO 406 ISO 1101		101		CableConnector	
ltr	ecn no	dr	date	tolerances unless otherwise specified		mm		title	
E	H00085	MVI	1990-02-23	angles		linear		assembly 2x7 pos.	
F	H20166	MVI	1992-03-31					dwg no	
G	05-0138	MINI	2005-08-08					75948	
H	06-0082	MINI	2006-06-01	dr		M. Visschers 1992-03-20		sheet 1 of 1 size	
				engr				A2	
				chr		RAKHEE GEORGE 2006-06-01		type	
				app		RAKHEE GEORGE 2006-06-01		CUSTOMER Drawing	
sheet index	revision sheet	H							
1	1								