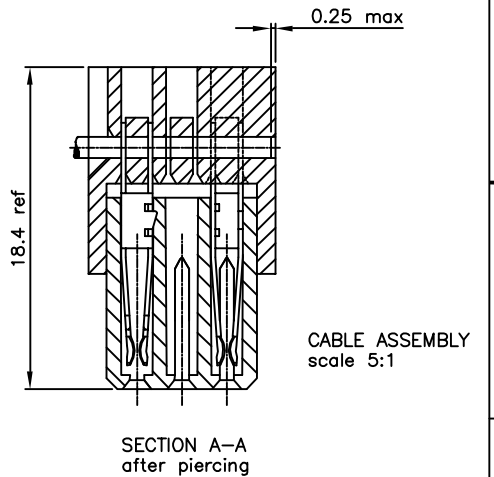
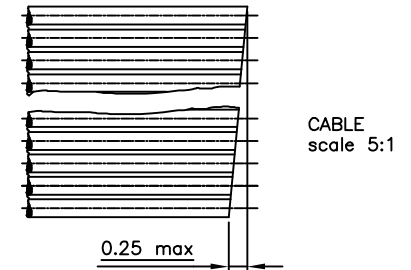
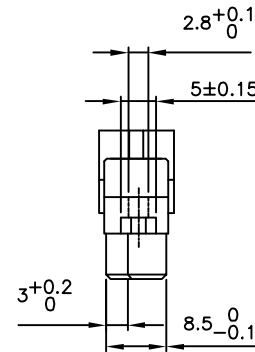
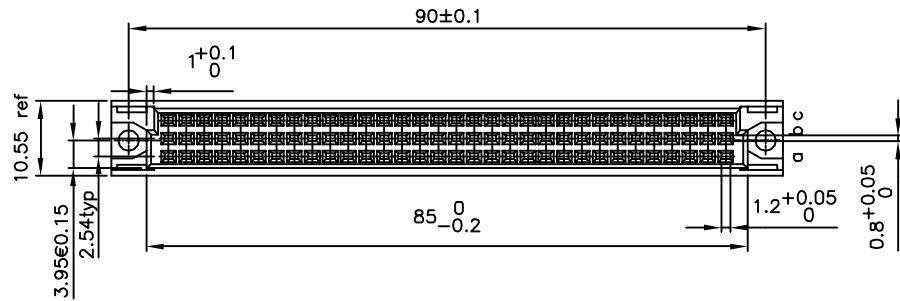
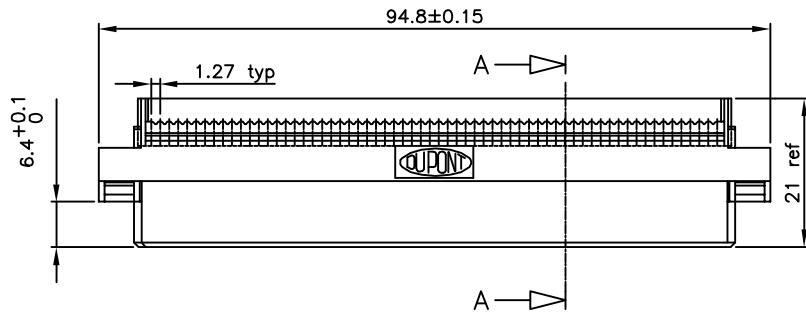


PRODUCT NUMBER	ROW	1	2	3	4	5	6	7	8	9	10	11	12	13	14	15	16	17	18	19	20	21	22	23	24	25	26	27	28	29	30	31	32	
75860-X01	a	X	X	X	X	X	X	X	X	X	X	X	X	X	X	X	X	X	X	X	X	X	X	X	X	X	X	X	X	X	X	X	X	X
	b	X	X	X	X	X	X	X	X	X	X	X	X	X	X	X	X	X	X	X	X	X	X	X	X	X	X	X	X	X	X	X	X	X
	c	X	X	X	X	X	X	X	X	X	X	X	X	X	X	X	X	X	X	X	X	X	X	X	X	X	X	X	X	X	X	X	X	X
75860-X02	a	X	X	X	X	X	X	X	X	X	X	X	X	X	X	X	X	X	X	X	X	X	X	X	X	X	X	X	X	X	X	X	X	
	b	X	X	X	X	X	X	X	X	X	X	X	X	X	X	X	X	X	X	X	X	X	X	X	X	X	X	X	X	X	X	X	X	
	c	X	X	X	X	X	X	X	X	X	X	X	X	X	X	X	X	X	X	X	X	X	X	X	X	X	X	X	X	X	X	X	X	



NOTES:

- 1.MATERIAL HOUSING: THERMOPLASTIC POLYESTER 30% GLASS FILLED, FLAME RETARDANT PER UL-94-V0
COLOUR HOUSING: GREY, COLOUR COVER: BLACK
- 2.MATERIAL CONTACT: PHOSPHOR BRONZE
- 3.CAN BE MATED WITH 3 ROW MALE CONNECTOR CONFORM DIN 41612 - FORM C
- 4."LF" SUFFIX TO THE PRODUCT NUMBER FOR LEAD FREE OR RoHS COMPATIBLE PRODUCTS.
- 5.PIERCE AREA PLATING SPEC: 0.1-0.2umNi

NOTE:-

1. THE "LF" PRODUCTS MEET EUROPEAN UNION DIRECTIVES AND OTHER COUNTRY REGULATIONS AS DESCRIBED IN GS-22-008.
2. LEAD FREE OR RoHS DIRECTIVE LABELLING TO BE PROVIDED AS PER GS-14-920 FOR LEAD FREE VERSION.

Part Number	Performance Class
75860-4YY	2.0um Aumin over 3um Ni in contact area
75860-0YY	3.0um Aumin over 3um Ni in contact area
75860-1YY	DIN 41612 CLASS 1
75860-2YY	DIN 41612 CLASS 2

mat'l. code	see table	surface	tolerance	projection	product family
litr	lcn no	dr	date	ISO 192	ISO 486
K	H20166	MVI	1992-03-31	ISO 105-0123	MNI
L	105-0123	MNI	2008-07-27	tolerances unless otherwise specified	angles
M	106-0082	MNI	2008-06-01	linear	mm
N	106-0078	JOHN	2008-06-28	scale	-
		dr	M. Viswanath	1992-03-31	product title
		engr	KESHAV H	2008-06-28	QUICKIE Female
		cht	KESHAV H	2008-06-28	64 Pos. P.L. ASSEMBLY
		appd	KESHAV H	2008-06-28	dwg no
					75860
sheet	revision	N			sheet 1 of 1
index	sheet	1			A2
					type
					CUSTOMER Drawing