

RoHS COMPATIBLE PRODUCT NUMBER  
54122-XXXXXXXXL

STANDARD PRODUCT NUMBER  
54122-XXX-XX-XXXXX

PLATING

- 1 = 0.76µm GOLD/GXT ON CONTACT AREA  
2µm MIN MATTE TIN ON TAIL  
OVER 1.27µm Ni MIN
- 8 = 0.38µm GOLD/GXT ON CONTACT AREA  
2µm MIN MATTE TIN ON TAIL  
OVER 1.27µm Ni MIN
- 4 = 2µm MIN MATTE TIN  
OVER 1.27µm Ni MIN

- INDICATES THE PRODUCT IS RoHS COMPATIBLE SEE NOTE 9
- R : RETENTIVE LEG NOTE 8
- STACK HEIGHT NOTE 6
- TOTAL NB OF POSITIONS 04 TO 72

PLATING

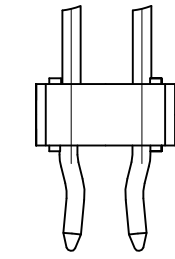
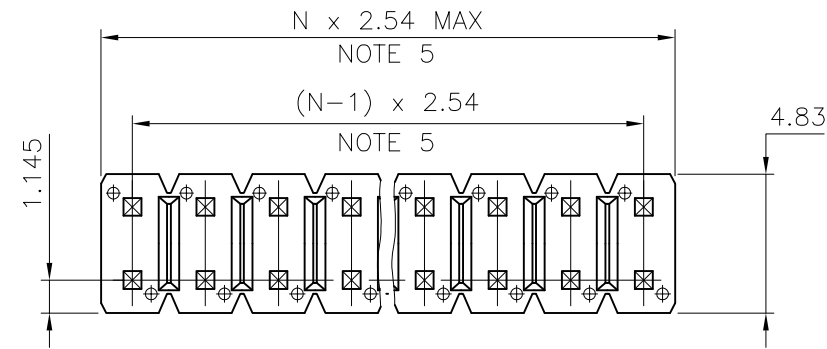
- 1 = 0.76µm GOLD/GXT ON CONTACT AREA  
3.81µm TIN/LEAD ON TAIL  
OVER 1.27µm Ni MIN
- 8 = 0.38µm GOLD/GXT ON CONTACT AREA  
3.81µm TIN/LEAD ON TAIL  
OVER 1.27µm Ni MIN
- 4 = TIN LEAD  
OVER 1.27µm Ni MIN

- R : RETENTIVE LEG NOTE 8
- STACK HEIGHT NOTE 6
- TOTAL NB OF POSITIONS 04 TO 72

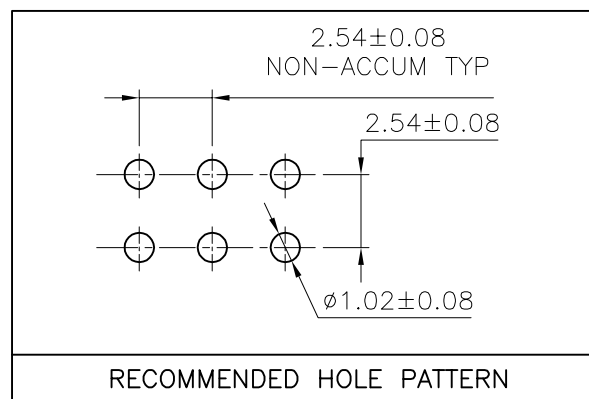
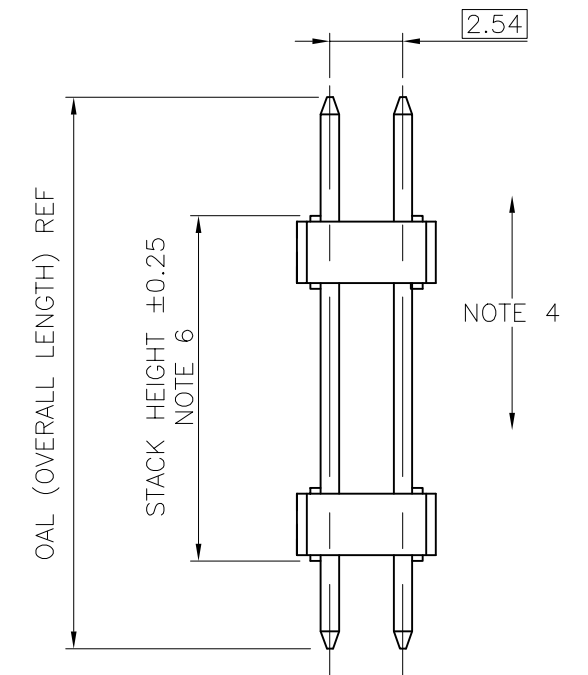
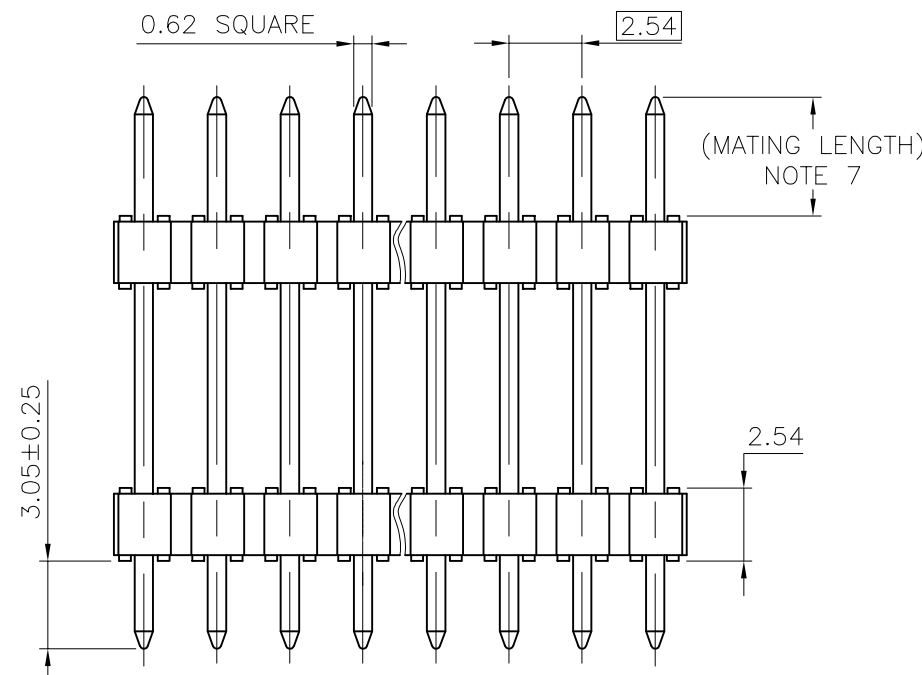
NOTES:

1. HOUSING MAT'L : HIGH TEMPERATURE THERMOPLASTIC. UL94V-0 COLOR: BLACK
2. PIN MATERIAL : PHOSPHOR BRONZE
3. PRODUCT PACKAGED IN PLASTIC BOX
4. 9N MIN RETENTION IN EITHER DIRECTION
5. TO DETERMINE DIMENSIONS :  
N = NUMBER OF POSITIONS PER ROW  
EXAMPLE : 8 POS PER ROW, N x 2.54 = 20.32mm
6. XXXX = MILLIMETERS  
SPECIFY MILLIMETERS  
8mm MIN TO 25.0mm MAX AVAILABLE  
IN 0.5mm INCREMENT  
EXAMPLE FOR STACK HEIGHT:  $1\ 2\ 5\ 0 = 12.5\text{mm}$
7. MATING LENGTH = (OAL)-(3.05)-(STACK HEIGHT)
8. RETENTION IS APPLIED TO TWO ADJACENT PINS AT EACH END OF THE PRODUCT SEE SCHEMA 1  
OMIT FROM PRODUCT NUMBER IF THIS FEATURE IS NOT APPLICABLE
9. RoHS COMPATIBLE PRODUCT SPECIFICATIONS
  - a - PLATING:
    - "LF" MEANS THE PRODUCT IS LEAD-FREE, 2µm MINIMUM MATTE TIN OVER 1.27µm MINIMUM NICKEL UNDERPLATE.
  - b - MANUFACTURING PROCESS COMPATIBILITY
    - THE HOUSING WILL WITHSTAND EXPOSURE TO 260°C ±5°C SOLDER BATH TEMPERATURE FOR 5 SECONDS IN A WAVE SOLDER APPLICATION WITH A 1.6mm MIN THICK CIRCUIT BOARD.
  - c - LABELLING:
    - MEETS PACKAGING SPECS AS PER GS-14-920
  - d - THIS PRODUCT MEETS EUROPEAN UNION DIRECTIVES AND OTHER COUNTRY REGULATIONS AS DESCRIBED IN GS-22-008

PIN STYLE	OAL
01	12.2
02	13.5
03	15.9
04	16.76
05	17.65
06	18.91
07	20.96
08	23.5
09	26.04
10	28.58
11	31.12
12	33.66
13	34
14	26.42
15	16.56
16	36.2
18	28



SCHEMA 1  
TWO RETENTION PIN AT EACH END OF THE PRODUCT



mat'l. code SEE NOTES				surface ISO 1302		tolerance ISO 406 ISO 1101		projection		product family BERGSTIK		
ltr	ecn no	dr	date	tolerances unless otherwise specified		mm		mm		title UNSHR.HEADER STR DR TMT		
H	F08-0148	RTR	08.03.31	angles	x.x ±0.3	mm		mm		dwg no 54122		
C	F10535	LMU	01.09.21	linear	x.xx ±0.13	scale 4:1		FCJ		sheet 1 of 1 A3		
D	F20312	JCO	02.05.06	dr	D.LE	01.01.24					size A3	
E	F03-0227	DLE	03.06.13	enrg	JM.C	01.01.24					type CUSTOMER Drawing	
F	F04-0385	LMU	04.12.16	chr	JM.C	01.01.24						
G	F06-0196	LMU	06.06.13	appd	JF.N	01.01.24						
sheet index		revision sheet										



Copyright FCI