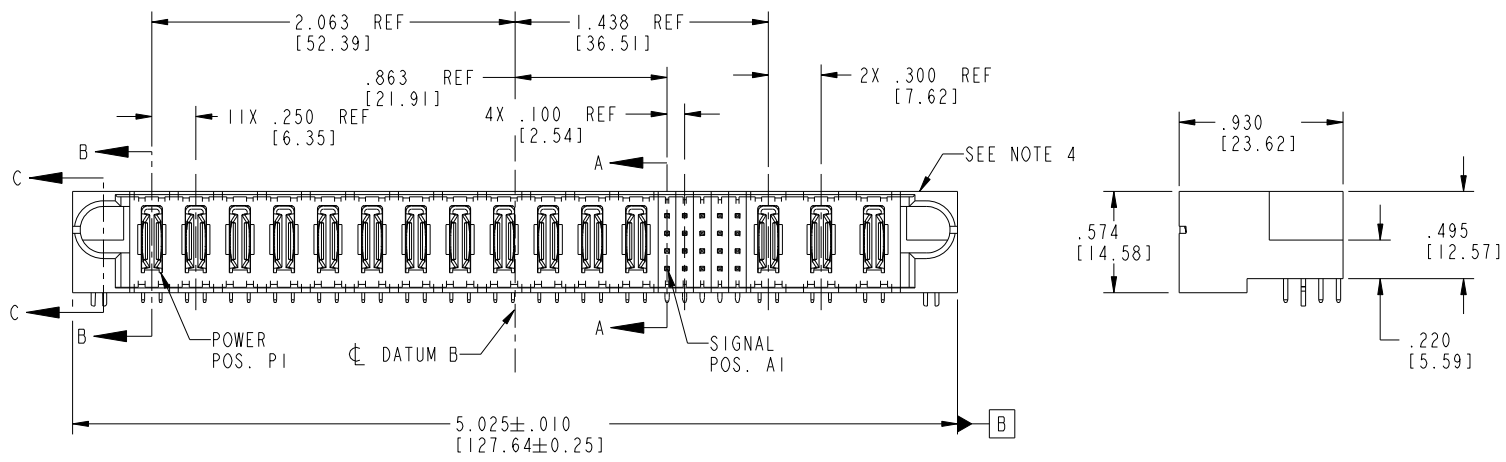
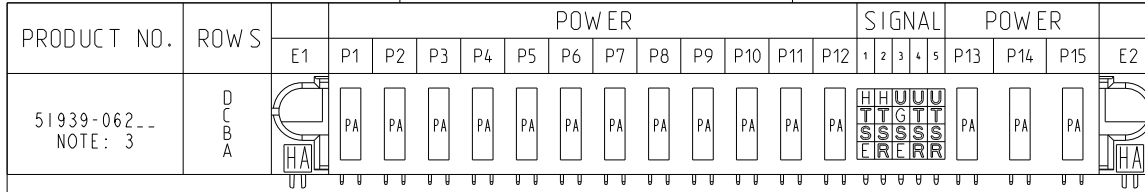


Tous droits strictement reserves. Reproduction ou communication a des tiers interdite sous quelque forme que ce soit sans autorisation écrite du propriétaire. Propriete de c FCI. Droits de reproduction FCI.

All rights strictly reserved. Reproduction or issue to third parties in any form whatever is not permitted without written authority from the proprietor. Property of FCI. Copyright FCI.



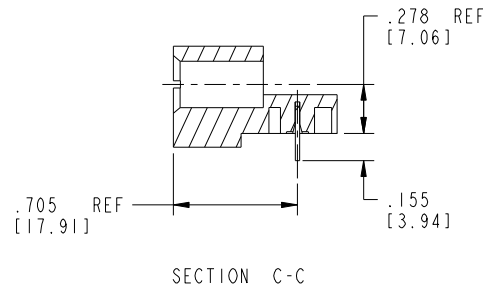
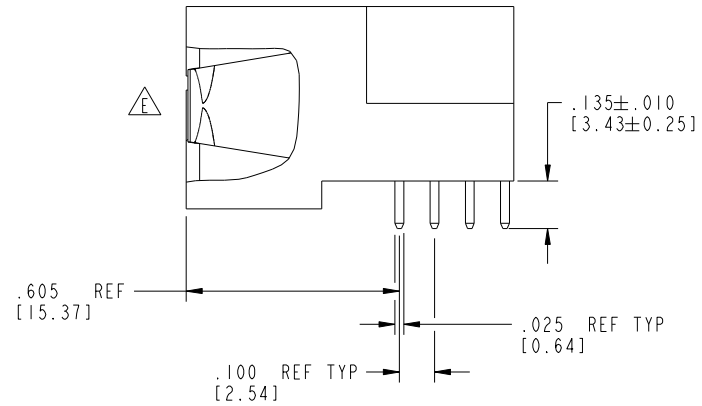
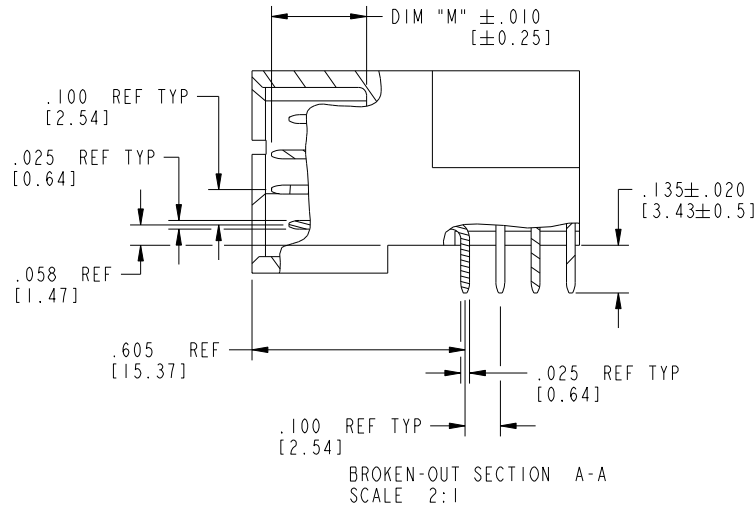
CODE	DIM "M" MATING LENGTH	CONTACT TYPE
PA	N/A [N/A]	POWER
HA	N/A [N/A]	HOLD-DOWN
S	.270 [6.86]	SIGNAL
T	.270 [6.86]	SIGNAL
R	.270 [6.86]	SIGNAL
U	.270 [6.86]	SIGNAL
E	.220 [5.59]	SIGNAL
G	.220 [5.59]	SIGNAL
H	.220 [5.59]	SIGNAL

mat'l code				SEE NOTE 2		tolerances unless otherwise specified		CUSTOMER	
lfr	ecn no.	dr	date	linear	.XX±.01/0.X±0.3	projection	COPY		
A	V03-0527	MEM	5/7/03	angles	.XXX±.005/0.XX±0.13	INCH/MM	title 12P + 20S + 3ACP		
B	V03-0713	MEM	6/25/03		.XXX±.0020/0.XXX±0.051	scale	RIGHT ANGLE SOLDER HEADER		
C	DG05-0240	GuoJM	07/27/05		0°±2°	1:1	product family PwrBlade code 213		
D	DG05-0218	SJ	08/03/05	dr	M. MOSTOLLER 5/7/03	size	dwg no 51939-062		
E	DG08-0273	WD	12/31/08	enrg	M. MOSTOLLER 5/7/03	sheet	1 of 4		
				chr	H. BREWBAKER 5/7/03				
				appd	M. MOSTOLLER 5/7/03				
sheet index	revision sheet	E	E	E	E		cage code 22526		
		1	2	3	4				

Tous droits strictement réservés. Reproduction ou communication à des tiers interdite sous quelque forme que ce soit sans autorisation écrite du propriétaire. Propriété de c.FCI. Droits de reproduction FCI.

All rights strictly reserved. Reproduction or issue to third parties in any form whatsoever is not permitted without written authority from the proprietor. Property of FCI. Copyright FCI.

PRODUCT NUMBER
51939-062__
NOTE: 3



mat'l code		SEE NOTE 2		tolerances unless otherwise specified		CUSTOMER		 www.fciconnect.com	
ltr	ecn no.	dr	date	linear	.XX±.01/0.X±0.3	COPY		title	
E					.XXX±.005/0.XX±0.13	projection		12P + 20S + 3ACP	
				angles	.XXX±.0020/0.XXX±0.051			RIGHT ANGLE SOLDER HEADER	
				dr	0°±2°			product family	
				enrg	M. MOSTOLLER 5/7/03	scale		PwrBlade	
				chr	M. MOSTOLLER 5/7/03	1:1		code	
				appd	H. BREWBAKER 5/7/03	A		213	
					M. MOSTOLLER 5/7/03	size		sheet	
sheet index	revision sheet					A		2 of 4	
						dwg no		2 of 4	
						51939-062			

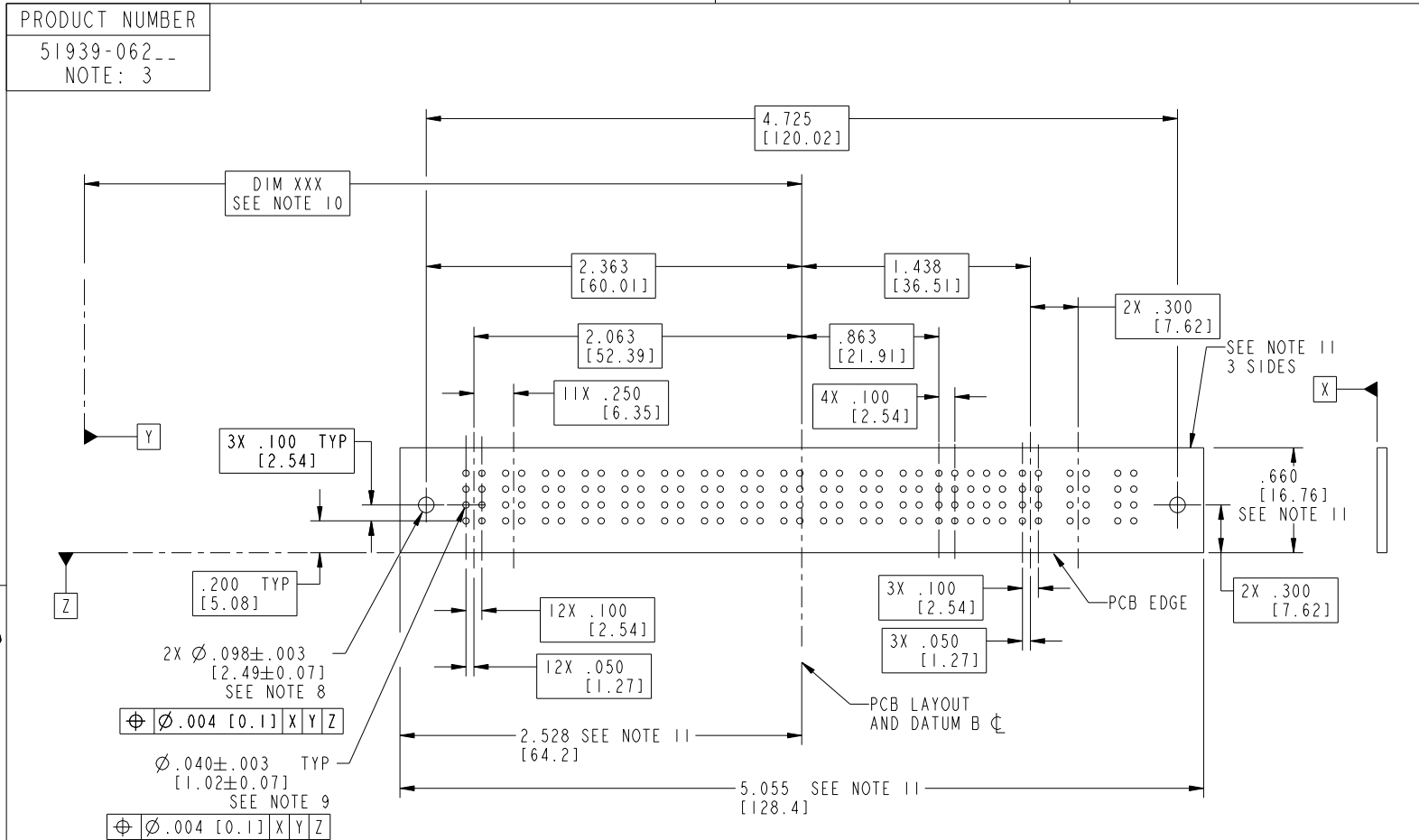
cage code 22526

Pro/E

Tous droits strictement réservés. Reproduction ou communication à des tiers interdite sous quelque forme que ce soit sans autorisation écrite du propriétaire. Propriété de c.FCI. Droits de reproduction FCI.



All rights strictly reserved. Reproduction or issue to third parties in any form whatsoever is not permitted without written authority from the proprietor. Property of FCI. Copyright FCI.



RECOMMENDED PCB LAYOUT

mat'l code		SEE NOTE 2		tolerances unless otherwise specified		CUSTOMER		 www.fciconnect.com	
ltr	ecn no.	dr	date	linear	.XX±.01/0.X±0.3	projection	COPY	title 12P + 20S + 3ACP	
E					.XXX±.005/0.XX±0.13			RIGHT ANGLE SOLDER HEADER	
				angles	.XXX±.002/0.XXX±0.051	INCH/MM		product family	PwrBlade
				dr	0°±2°	scale		size	code
				enrg	M. MOSTOLLER 5/7/03	1:1		dwg no	213
				chr	M. MOSTOLLER 5/7/03			51939-062	sheet
				appd	H. BREWBAKER 5/7/03				3 of 4
					M. MOSTOLLER 5/7/03				
sheet index	revision sheet								

cage code 22526

Tous droits strictement reserves. Reproduction ou communication a des tiers interdite sous quelque forme que ce soit sans autorisation écrite du propriétaire. Propriete de c FCI. Droits de reproduction FCI.



All rights strictly reserved. Reproduction or issue to third parties in any form whatever is not permitted without written authority from the proprietor. Property of FCI. Copyright FCI.

PRODUCT NUMBER
51939-062--
NOTE: 3

NOTES:

1. DIMENSIONS AND TOLERANCES ARE IN ACCORDANCE WITH ASME Y14.5M, 1994 UNLESS OTHERWISE SPECIFIED.

CONNECTOR NOTES:

- 2. HOUSING MATERIAL: UL 94 V-0 GLASS FILLED HIGH-TEMP THERMOPLASTIC
POWER CONTACT MATERIAL: COPPER ALLOY
SIGNAL PIN MATERIAL: COPPER ALLOY
- 3. SEE ITEM 1 & 2 IN PRINT 10064183 FOR PLATING SPEC OF 51939-062 AND 51939-062LF RESPECTIVELY.
- 4. MANUFACTURER'S NAME, P/N, AND DATE CODE TO APPEAR ON THIS SURFACE.
- 5. PRODUCT SPECIFICATION GS-12-149.
APPLICATION SPECIFICATION BUS-20-067.
- 6. PACKAGED IN TRAYS.

PCB NOTES:

- 7. ALL HOLE DIAMETERS ARE FINISHED HOLE SIZE.
- 8. MOUNTING HOLES, WHERE APPLICABLE, ARE UNPLATED.
- 9. $\varnothing .0453 \pm .0010$ [1.151 \pm 0.025] DRILLED HOLES PLATED WITH
.0003 [0.008] MIN SnPb OVER .001 [0.03]
TO .003 [0.08] Cu PLATING TO ACHIEVE
 $\varnothing .040 \pm .003$ [1.02 \pm .07] HOLE.
- 10. "DIM XXX" TO BE DETERMINED BY THE CUSTOMER.
- 11. CONNECTOR KEEP-OUT ZONE.
- 12. A Δ SYMBOL WILL BE NEXT TO ANY DIMENSION, VIEW, OR NOTE WHICH HAS BEEN MODIFIED WITH THE CURRENT DRAWING REVISION.

mat'l code		SEE NOTE 2		tolerances unless otherwise specified		CUSTOMER		www.fciconnect.com	
ltr	ecn no.	dr	date	linear	.XX+ .01/0.X+0.3	COPY			
E				projection	.XXX+ .005/0.XX+0.13	title		12P + 20S + 3ACP	
				angles	.XXX+ .002/0.XXX+0.051	RIGHT ANGLE SOLDER HEADER			
				dr	0° + 2°	product family		PwrBlade	
				enr	M. MOSTOLLER 5/7/03	scale		INCH/MM	
				chr	M. MOSTOLLER 5/7/03	size		dwg no	
				appd	H. BREWBAKER 5/7/03	A		51939-062	
					M. MOSTOLLER 5/7/03	sheet		213	
sheet index	revision sheet					4 of 4			

cage code 22526