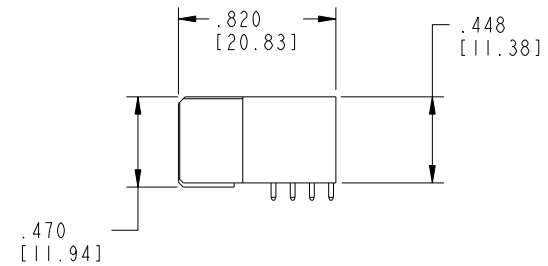
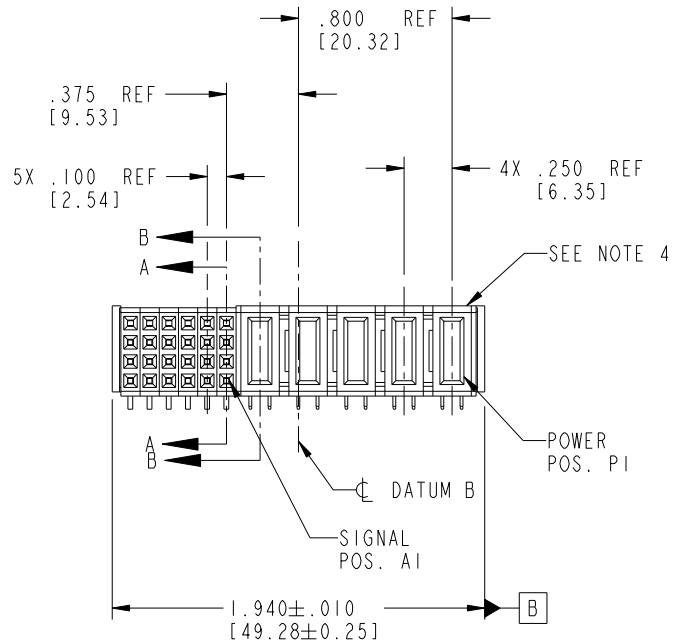


Tous droits strictement réservés. Reproduction ou communication a des tiers interdite sous quelque forme que ce soit sans autorisation écrite du propriétaire. Propriété de c FCI. Droits de reproduction FCI.



All rights strictly reserved. Reproduction or issue to third parties in any form whatever is not permitted without written authority from the proprietor. Property of FCI. Copyright FCI.

PRODUCT NO. 51776-001-- NOTE: ③	ROWS D C B A	SIGNAL					POWER					
		6	5	4	3	2	1	P5	P4	P3	P2	P1
		M	M	M	M	M	M	PB	PB	PB	PD	PD
		L	L	L	L	L	L					
		K	K	K	K	K						
		J	J	J	J	J						



CODE	DIM "M" MATING LENGTH	CONTACT TYPE
J	N/A [N/A]	SIGNAL
K	N/A [N/A]	SIGNAL
L	N/A [N/A]	SIGNAL
M	N/A [N/A]	SIGNAL
PB	.042 [1.07]	POWER
PD	.092 [2.34]	POWER

mat'l code SEE NOTE 2				tolerances unless otherwise specified		CUSTOMER		FCI www.fciconnect.com	
ltr	ecn no.	dr	date	linear	.XX±.01/0.XX±0.3	COPY		title	
A	V21514	TAB	10/07/02		.XXX±.005/0.XX±0.13	projection		5P + 24S	
B	DG05-0231	SJ	07/18/05	angles	.XXX±.0020/0.XXX±0.051	INCH/MM		R/A SOLDER RECEPTACLE	
C	DG08-0251	W D	09/15/08		0°±2°	scale		product family	
				dr	T. BRUNGARD 10/07/02	1:1		PwrBlade	
				engr	M. MOSTOLLER 10/07/02			code	
				chr	M. MOSTOLLER 10/07/02			213	
				appd	M. MOSTOLLER 10/07/02			sheet	
sheet index	revision sheet	C	C	C	C			1 of 4	
		1	2	3	4				

A

A

B

B

1 | 2

Pro/E

PDM: Rev: C

STAT: Released

Printed: Sep 21, 2008

cage code 28536

4

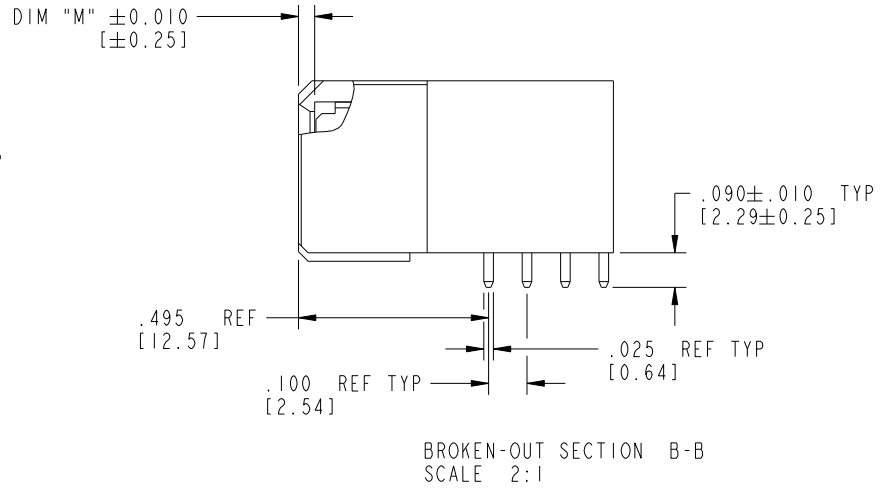
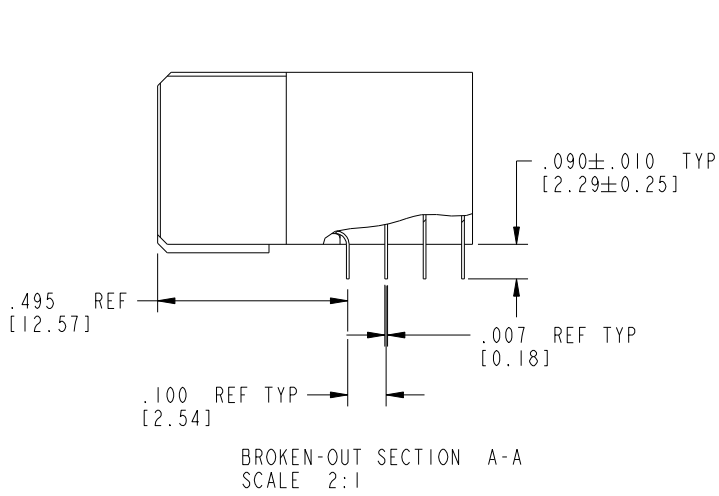
Tous droits strictement réservés. Reproduction ou communication a des tiers interdite sous quelque forme que ce soit sans autorisation écrite du propriétaire. Propriété de c FCI. Droits de reproduction FCI.

All rights strictly reserved. Reproduction or issue to third parties in any form whatever is not permitted without written authority from the proprietor. Property of FCI. Copyright FCI.



PRODUCT NUMBER

51776-001--
NOTE: ③



mat'l code		SEE NOTE 2		tolerances unless otherwise specified		CUSTOMER			
ltr	ecn no.	dr	date	linear	.XX±.01/0.X±0.3	COPY		www.fciconnect.com	
C				projection	.XX±.005/0.XX±0.13	INCH/MM		title	
				angles	.XXX±.0020/0.XXX±0.051	1:1		5P + 24S R/A SOLDER RECEPTACLE	
				dr	T. BRUNGARD 10/07/02	scale		product family	
				engr	M. MOSTOLLER 10/07/02	1:1		PwrBlade	
				chr	M. MOSTOLLER 10/07/02			code	
				appd	M. MOSTOLLER 10/07/02			213	
sheet index		revision sheet						size	
								dwg no	
								A 51776-001	
								sheet	
								2 of 4	

Pro/E

PDM: Rev: C

STATUS: Released

Printed: Sep 21, 2008

cage code 28536

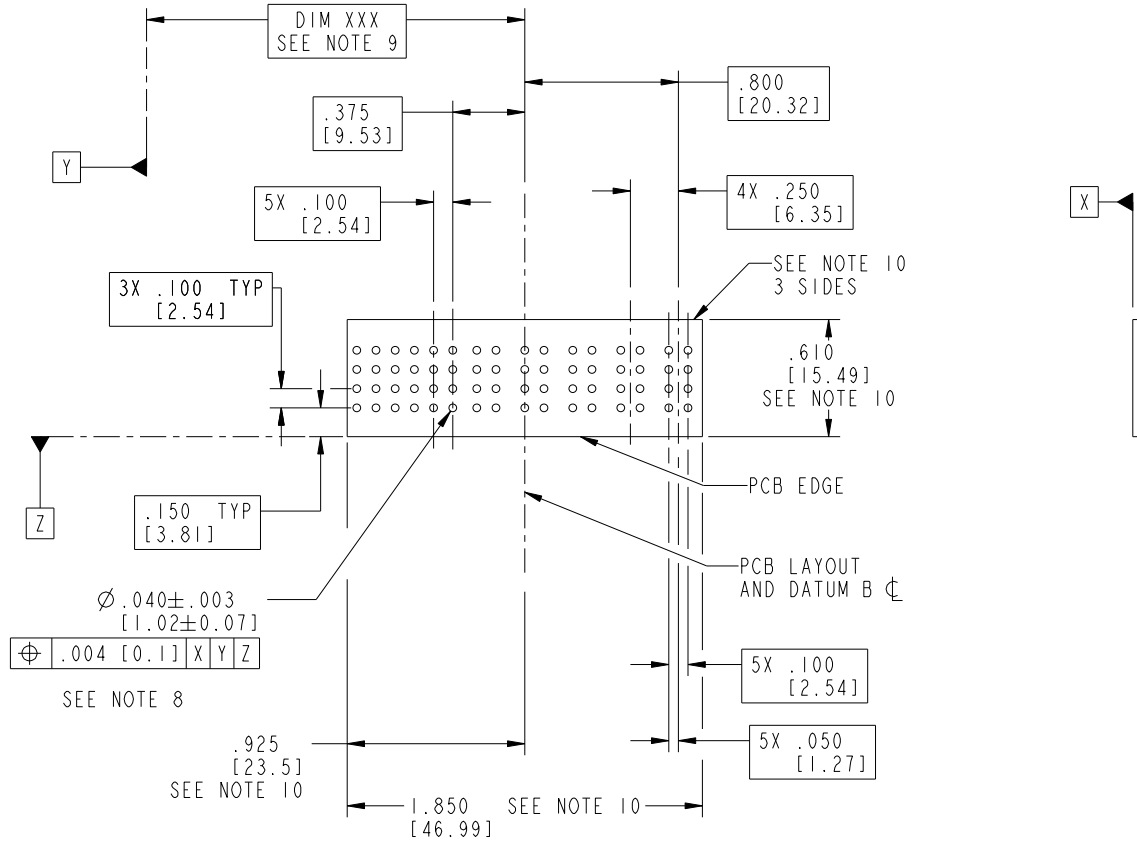
Tous droits strictement réservés. Reproduction ou communication a des tiers interdite sous quelque forme que ce soit sans autorisation écrite du propriétaire. Propriété de c FCI. Droits de reproduction FCI.

All rights strictly reserved. Reproduction or issue to third parties in any form whatever is not permitted without written authority from the proprietor. Property of FCI. Copyright FCI.



PRODUCT NUMBER

51776-001--
NOTE: ③



RECOMMENDED PCB LAYOUT

mat'l code		SEE NOTE 2		tolerances unless otherwise specified		CUSTOMER		FCI	
ltr	ecn no.	dr	date	linear	.XX±.01/0.X±0.3	COPY		www.fciconnect.com	
C				projection	.XXY±.005/0.XX±0.13	INCH/MM		title	
				angles	.XXX±.0020/0.XXX±0.051	1:1		5P + 24S	
				dr	0°±2°	scale		R/A SOLDER RECEPTACLE	
				enrg	T. BRUNGARD 10/07/02	A		product family	
				chr	M. MOSTOLLER 10/07/02	51776-001		PwrBlade	
				appd	M. MOSTOLLER 10/07/02	size		code	
sheet index	revision sheet					dwg no		213	
						A		sheet	
						3 of 4			

Pro/E

PDM: Rev: C

STATUS: Released

Printed: Sep 21, 2008

cage code 28536

Tous droits strictement réservés. Reproduction ou communication a des tiers interdite sous quelque forme que ce soit sans autorisation écrite du propriétaire. Propriété de c FCI. Droits de reproduction FCI.



All rights strictly reserved. Reproduction or issue to third parties in any form whatever is not permitted without written authority from the proprietor. Property of FCI. Copyright FCI.

1 | 2

3 |

4

PRODUCT NUMBER
51776-001--
NOTE: ③

NOTES:

1. DIMENSIONS AND TOLERANCES ARE IN ACCORDANCE WITH ASME Y14.5M, 1994 UNLESS OTHERWISE SPECIFIED.

CONNECTOR NOTES:

② HOUSING MATERIAL: UL 94 V-0 GLASS FILLED HIGH-TEMP THERMOPLASTIC
POWER CONTACT MATERIAL: COPPER ALLOY
SIGNAL PIN MATERIAL: COPPER ALLOY

△ ③. SEE ITEM 5 & 6 IN PRINT 10064183 FOR PLATING SPEC OF 51776-001 AND 51776-001LF RESPECTIVELY.

④ MANUFACTURER'S NAME, P/N, AND DATE CODE TO APPEAR ON THIS SURFACE.

5. PRODUCT SPECIFICATION GS-12-149.
APPLICATION SPECIFICATION BUS-20-067.

PCB NOTES:

6. ALL HOLE DIAMETERS ARE FINISHED HOLE SIZE.

⑦ MOUNTING HOLES, WHERE APPLICABLE, ARE UNPLATED.

⑧ $\varnothing .0453 \pm .0010$ [1.151 ± 0.025] DRILLED HOLES PLATED WITH
.0003 [0.008] MIN SnPb OVER .001 [0.03]
TO .003 [0.08] Cu PLATING TO ACHIEVE
 $\varnothing .040 \pm .003$ [1.02 ± .07] HOLE.

⑨ "DIM XXX" TO BE DETERMINED BY THE CUSTOMER.

⑩ CONNECTOR KEEP-OUT ZONE.

11. A △ SYMBOL WILL BE NEXT TO ANY DIMENSION, VIEW, OR NOTE WHICH HAS BEEN MODIFIED WITH THE CURRENT DRAWING REVISION.

mat'l code		SEE NOTE 2		tolerances unless otherwise specified		CUSTOMER		FCI		www.fciconnect.com	
ltr	ecn no.	dr	date	linear	.XX±.01/0.X±0.3	COPY		title		5P + 24S	
C					.XXY±.005/0.XX±0.13	projection		R/A SOLDER RECEPTACLE			
				angles	.XXX±.0020/0.XXX±0.051	INCH/MM		product family		PwrBlade	
				dr	0° ± 2°	scale		size		code	
				enrg	T. BRUNGARD 10/07/02	1:1		dwg no		213	
				chr	M. MOSTOLLER 10/07/02			A		sheet	
				appd	M. MOSTOLLER 10/07/02			51776-001		4 of 4	
sheet index	revision sheet										

A

A

B

B

1 | 2

Pro/E

PDM: Rev: C

STATUS: Released

Printed: Sep 21, 2008

cage code 22526

4