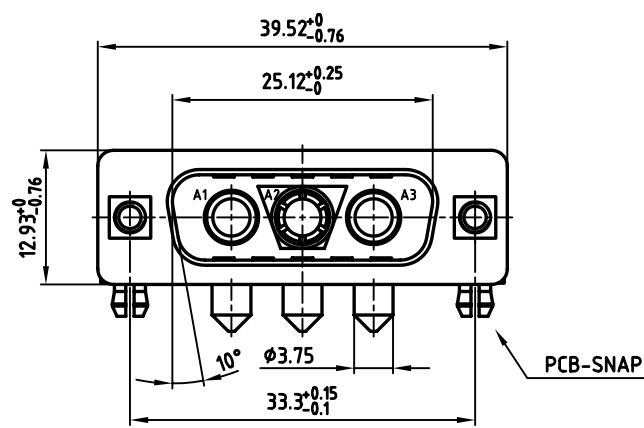
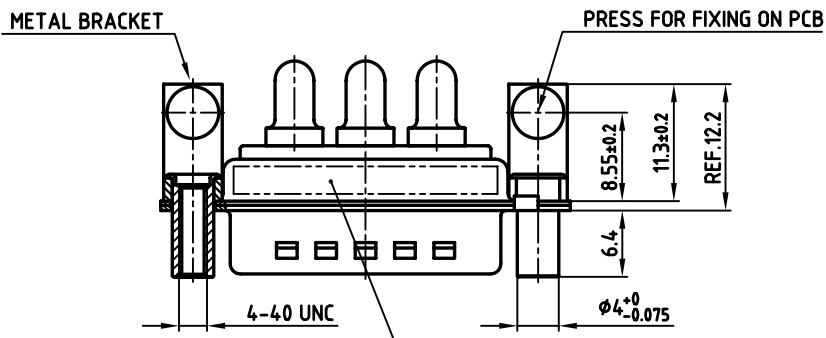


P.C.B.-HOLE DRILLINGS (b)

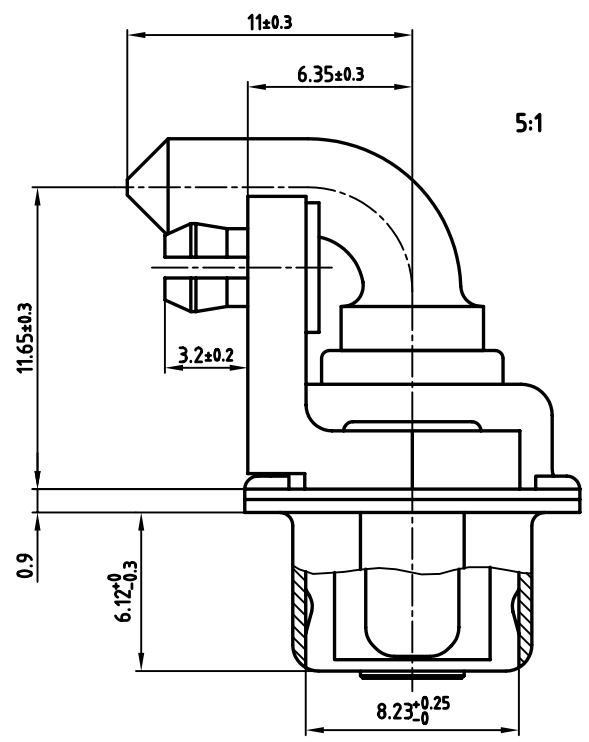


PCB-SNAP

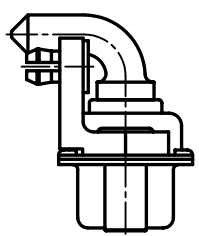


SEE NOTE 8

used for: D-SUB COMBINATION



5:1



NOTES:

1. METALSHELLS: STEEL; min. 315µm TIN over 40-80µm NICKEL
2. INSULATORS: PBT GF UL 94 V-0, GREEN
3. HIGH POWER CONTACTS 40A: COPPER ALLOY
 PLATING MATING AREA: 30µm HARD GOLD OVER min. 50µm NICKEL
 PLATING TERMINATION SIDE: 160-240µm TIN OVER 80µm NICKEL
 MALE CONTACT ON POS. A1 + A3
 FEMALE CONTACT ON POS. A2
4. METAL BRACKET: ZINC DIE CAST; 300µm COPPER/40-120µm NICKEL/120-200µm TIN
5. THREADED LOCK: COPPER ALLOY; min. 200µm TIN over 80µm NICKEL
6. PCB-SNAP: COPPER ALLOY; min. 200µm TIN over 80µm NICKEL
 PCB-HOLE: $\phi 3.1 \pm 0.1$; PCB THICKNESS 1.6mm
7. MAXIMUM TORQUE VALUE FOR THREAD: 6 in.LB
8. CONNECTOR IS PART MARKED: 303W3CPXX58P40X CONEC ABC



| | |
|---|--------|
| APPROVAL # FREIGABE # DEBLOCAGE # AUTORIZACION # APPROVAL | |
| CUSTOMER APPROVAL DATE: | |
| NAME: | TITLE: |
| COMPANY NAME: | |
| APPROVAL # FREIGABE # DEBLOCAGE # AUTORIZACION # APPROVAL | |

THIS DRAWING MAY NOT BE COPIED OR REPRODUCED IN ANY WAY, AND MAY NOT BE PASSED ON TO A THIRD PARTY, WITHOUT WRITTEN PERMISSION. OWNERSHIP AND COPYRIGHT OF CONEC Gmbh DO NOT ALTER CAD DRAWING BY HAND

| rev. | description | date | name |
|-------|-------------|------------|--------|
| 1 x b | Ä 2580 | 02.10.2006 | Lehmen |
| a | Origin | | |

| | | |
|-----------|--------|-----------------|
| tolerance | | dim. in mm |
| 2002 | date | |
| drawn | 16.05. | E. Mickenbecker |
| appd. | 16.05. | J. Resonnek |
| norm | | |
| d-old | | |

| | | |
|-----------|--|---------|
| scale: | 2:1 (5:1) | |
| material: | SEE NOTES | |
| title: | D-SUB COMBINATION MALE 90° 3W3CP with threaded lock, metal bracket and snap | |
| dwg no: | AutoCAD 2000 | DIN-A |
| | 13K1A573 | 3 |
| part no: | 303W3CPXX58P40X | |
| | | sh: 1/1 |