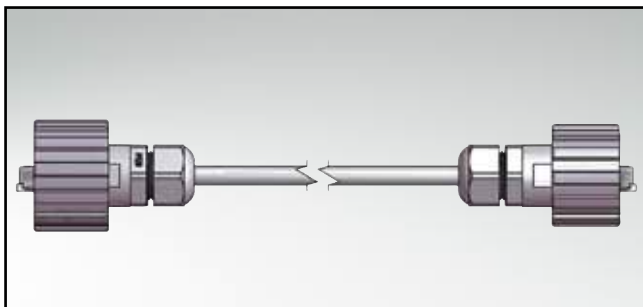


RJ45 PATCH CORD

IP20 to IP67 – One side M28 threaded and one side bayonet locking

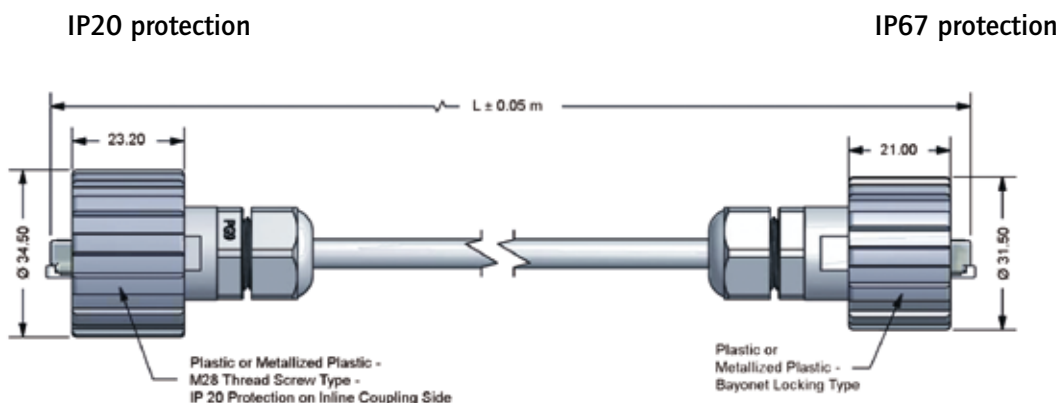


RoHS compliant

DESCRIPTION

- Field attachable patch cord
- 1x RJ45 IP67 plug connector with bayonet locking
- 1x RJ45 IP67 plug connector with M28 coupling RWG
- Designs:
 - Housing and socket connector black plastic; Cable UTP* black
 - Housing and socket connector metallized plastic; Cable STP** black
- Outdoor version with cable "Drain wire" and "Waterproof tape"
- Special lengths on request

PRODUCT DRAWING



UTP= * unshielded twisted pair
STP= ** shielded twisted pair

ORDER DATA

Type Standard	Degree of protection	Material	Cable	Length (L)	Part Number
Patch cord	IP20/IP67	Black plastic	UTP/Unshielded	2 m	17-101374
Patch cord	IP20/IP67	Black plastic	UTP/Unshielded	4 m	17-101384
Patch cord	IP20/IP67	Black plastic	UTP/Unshielded	5 m	17-101394
Patch cord	IP20/IP67	Metallized plastic	STP/Shielded	2 m	17-101434
Patch cord	IP20/IP67	Metallized plastic	STP/Shielded	4 m	17-101444
Patch cord	IP20/IP67	Metallized plastic	STP/Shielded	5 m	17-101454

Type Outdoor	Degree of protection	Material	Cable	Length (L)	Part Number
Patch cord	IP20/IP67	Black plastic	UTP/Unshielded	2 m	17-101404
Patch cord	IP20/IP67	Black plastic	UTP/Unshielded	4 m	17-101414
Patch cord	IP20/IP67	Black plastic	UTP/Unshielded	5 m	17-101424
Patch cord	IP20/IP67	Metallized plastic	STP/Shielded	2 m	17-101464
Patch cord	IP20/IP67	Metallized plastic	STP/Shielded	4 m	17-101474
Patch cord	IP20/IP67	Metallized plastic	STP/Shielded	5 m	17-101484