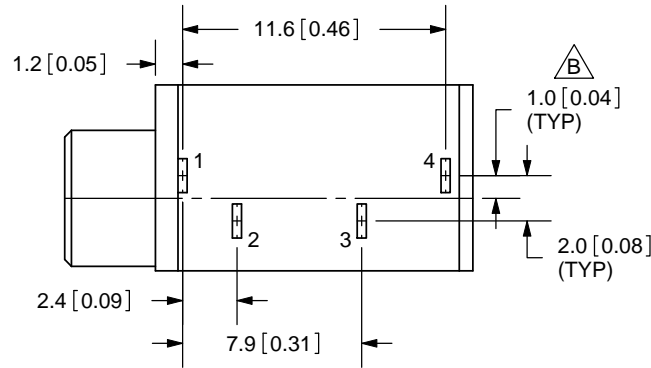
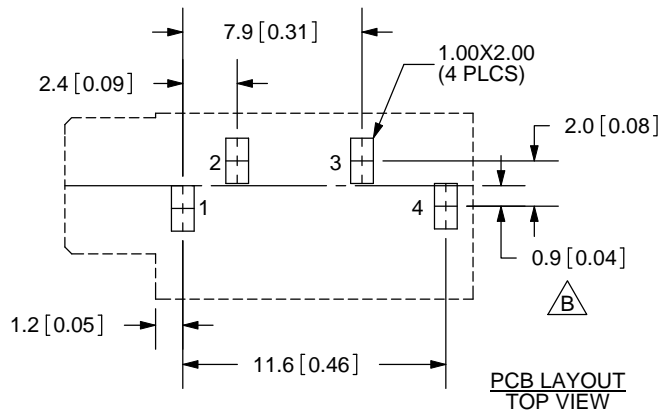
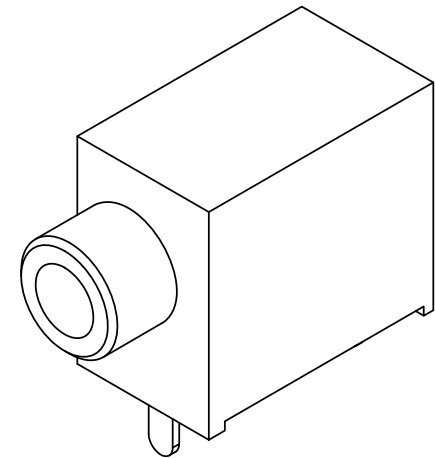
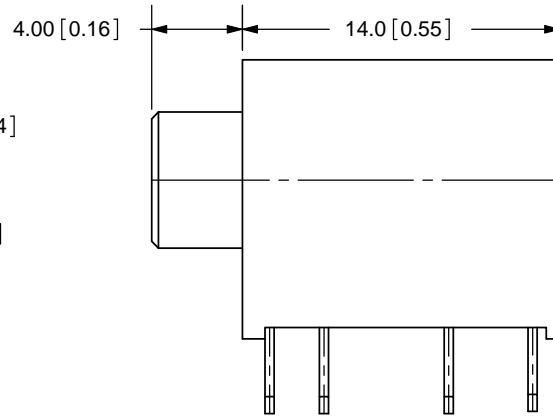
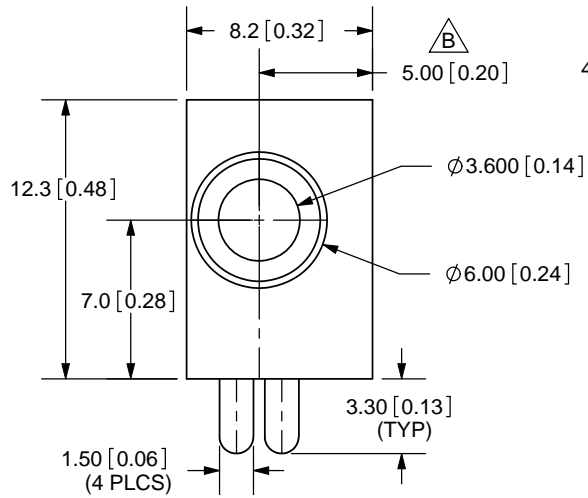


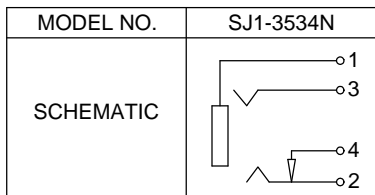
REV.	DESCRIPTION	DATE
A	NEW DRAWING	12/1/2005
B	updated dimensions	10/16/2007



TOLERANCE:
X.X ±0.2mm
X.XX ±0.1mm
X.XXX ±0.05mm



SPECIFICATIONS:
RATING: 12V DC @ 1A
CONTACT RESISTANCE: 30m OHMS MAX
INSULATION RESISTANCE: 50M OHMS MIN: 500V DC
VOLTAGE WITHSTAND: 500V AC R.M.S. FOR 1 MINUTE
LIFE: 5,000 CYCLES
OPERATING TEMP: -25° ~ +85°C



	MATERIAL	PLATING
TERMINAL 1	Brass	Tin
TERMINAL 2	Brass	Tin
TERMINAL 3	Brass	Tin
TERMINAL 4	Brass	Tin
SPRING	Stainless Steel	
BUSHING	Brass	Nickel
HOUSING	PBT	



20050 SW 112th Ave.
Tualatin, OR 97062
Phone: 503-612-2300
800-275-4899
Fax: 503-612-2383
Website: www.cui.com

TITLE: 3.5mm RIGHT ANGLE STEREO JACK		REV: B
PART NO. SJ1-3534N		UNITS: MM [INCHES]
DRAWN BY: ZRJ	APPROVED BY:	SCALE: 3:1

PC FILE NAME:
SJ1-3534N

COPYRIGHT 2009 BY CUI INC.