

Replaceable SSQ/SST with Integral Clips RoHS 6 Compliant

SSQCD0808



These fuse/clip assemblies can efficiently placed in a single pass. Once reflowed, fuse replacement requires no resoldering.

RoHS 6 Compliant Product

RoHS Reflow Reference: Industrial standard 260°C, 40 sec max

Electrical Specification

Maximum Recommended Fuse Current Rating 8 Amperes, 125 Volts

Environmental Specifications

Operating Temperature

-55°C to 125°C

Shock

MIL-STD-202, Method 213, Test Condition I
(100 G's peak for 6 milliseconds)

Vibration

MIL-STD-202, Method 201
(10-55 Hz, 0.06 inch, total excursion)

Insulation Resistance

MIL-STD-202, Method 302, Test Condition A
(After Opening) 10,000 ohms minimum.

Solderability

MIL-STD-202, Method 208

Thermal Shock

MIL-STD-202, Method 107, Test Condition B
(-65°C to +125°C)

Physical Specification

Materials

Clip Terminals: Matte Tin Plated Inconel Alloy

Packaging

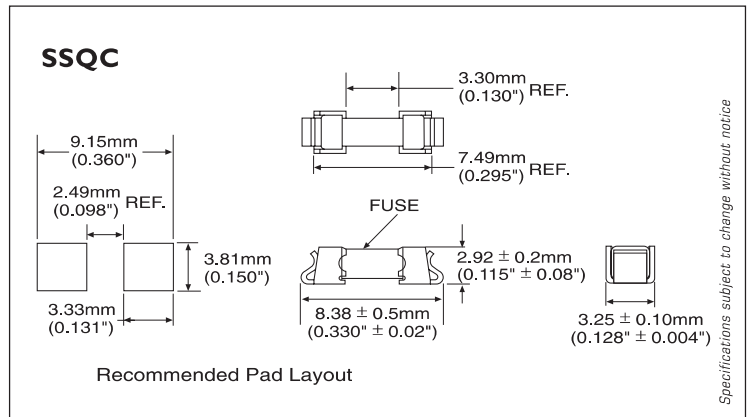
2,000 fuses in 13 inches dia. reel, 16mm wide tape, 8mm pitch, per EIA standard 481

SSQ Square Ceramic Surface Mount Quick Action Fuse	
Catalog Number	Ampere Rating
SSQC 250	250mA
SSQC 375	375mA
SSQC 500	500mA
SSQC 750	750mA
SSQC 1	1A
SSQC 1.25	1.25A
SSQC 1.5	1.5A
SSQC 2	2A
SSQC 2.5	2.5A
SSQC 3	3A
SSQC 3.5	3.5A
SSQC 4	4A
SSQC 5	5A
SSQC 6.3	6.3A
SSQC 7	7A
SSQC 8	8A

Consult manufacturer for other ratings

SST Square Ceramic Surface Mount Slow Blow Fuse	
Catalog Number	Ampere Rating
SSTC 375	375mA
SSTC 500	500mA
SSTC 625	625mA
SSTC 750	750mA
SSTC 1	1A
SSTC 1.5	1.5A
SSTC 2	2A
SSTC 2.5	2.5A
SSTC 3	3A
SSTC 3.5	3.5A
SSTC 4	4A
SSTC 5	5A
SSTC 7	7A

Mechanical Dimensions



ORDERING INFORMATION SEE LAST 2 PAGES